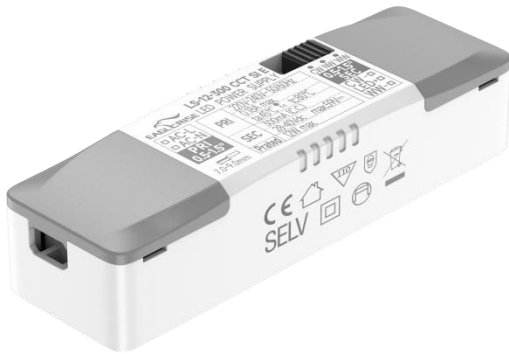


# 12W Constant Current power supply



■ Approve



## Features

- For luminaires of protection Class II, SELV, Independent
- Input Voltage: 220-240VAC
- Protections: SCP/OLP/OVP/OTP
- Power Factor: 0.6C
- Efficiency:  $\geq 82\%$
- 5 years warranty
- IP20

## Applications

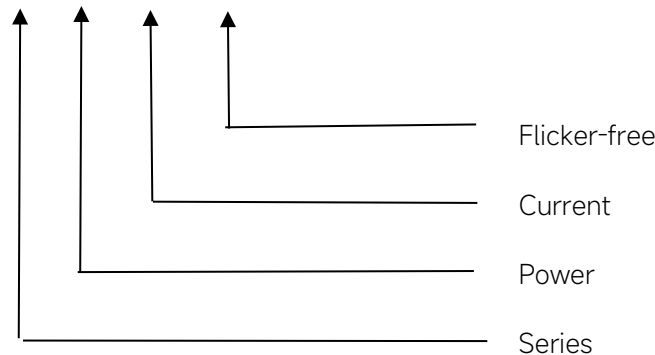
- LED panel, LED down light

## ◆ Description

LS-12-XXX CCT SI E is a 12W constant current LED driver with 250 and 700mA output current. With its compact dimensions from 92 x 28 x 21 mm. It is easy to integrate in LED panel, LED down light, LED spot light products. To ensure trouble-free operation, protection is provided against output short circuit and over Load.

## ◆ Model code

### LS-12-XXX CCT SI E



## ◆ Specification

Output	Constant Current	250mA	280mA	300mA	350mA	500mA	600mA	700mA	
	Voltage Range	28-40V				18-24V	15-20V	13-17.2V	
	Unload voltage Max.	59VDC				40VDC	35VDC		
	Current Accuracy	±5%							
	Output HF current ripple(≥1KHz)	±5%							
	Output LF current ripple(≤120Hz)	±5%							
	SVM	≤0.4							
	P <sub>st</sub>	≤1							
	Efficiency(Typ.)	≥82%@Full load,230V							
Input	Rated input voltage	220-240VAC							
	Range of input voltage	198-264VAC							
	Frequency(Hz)	50/60 Hz							
	Displacement factor	≥0.7							
	Power Factor	0.6C@Full load,230V							
	Input Current max	150mA	160mA	180mA			160mA		
	Start-up time	< 0.5S							
	No Load Power	≤0.5W							
Protection	Over Load Protection	103-130% YES/Auto Resume							
	Over Voltage Protection	59VDC YES/Auto Resume							
	Short circuit Protection	YES/Auto Resume							
capability	Surge capability (L-N)	1KV							
	Surge capability (L/N-Ground)	NA							
Environment	Operating Temperature	-20°C~+45°C							
	Humidity	20%-90%RH							
	T <sub>c</sub>	80°C				85°C			
	Storage Temperature	-25°C~+60°C							
	Life time	> 50,000h@T <sub>c</sub> =75°C				> 50,000h@T <sub>c</sub> =80°C			
	Noise	≤20dB(A)@10cm							
Surface	Dimension	92X28X21 (LXWXH)mm							
	material	PP							
statutory	Safety Standards	GB19510. 1, GB19510. 14;IEC61347- 1, IEC61347-2- 13;EN61347- 1, EN61347-2- 13;AS/NZS 61347- 1, AS/NZS 61347-2- 13;EN62384							
	EMC	GB/T17743, GB17625. 1;EN55015, EN61000-3-2, EN61000-3-3, EN61547;EN55015, EN61000-3-2, EN61000-3-3, EN61547,EN 62493;EN61000-4-5							

	Energy Efficiency	Erp2.0 EU 2019/2020
	RoHS	RoHS (2011/65/EU) (EU)2015/863
Note	<p>1.All parameters not specially mentioned are measured at 230VAC input , full load and 25°C of ambient temperature.</p> <p>2.Ripple &amp; Noise are measured at 20MHz of bandwidth by using a 300mm twisted pair-wire terminated with a 0.1uF &amp; 47 uF parallel capacitor.</p> <p>3.Data are typical values obtained from test samples</p> <p>4.The over-temperature protection of the product is provided by the IC.</p> <p>5.All Eaglerise power supply are complied with EMI regulations. Since they are belong to component and will be installed inside system enclosure. When they are integrated into a system, the EMI characteristics of the system must be re-verified again.</p>	

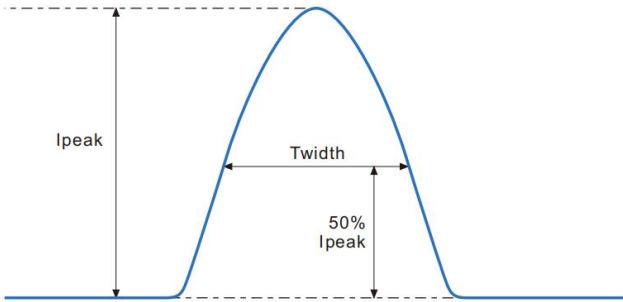
### ◆ Model list

Number	Model number	Output			
		Current (mA)	Voltage (VDC)	Voltage No load (VDC)	Power (W)
1	*LS-12-250 CCT SI E	250	28-40	59	10
2	*LS-12-280 CCT SI E	280			11.2
3	*LS-12-300 CCT SI E	300			12
4	*LS-12-350 CCT SI E	350			14
5	*LS-12-500 CCT SI E	500	18-24	40	12
6	*LS-12-600 CCT SI E	600	15-20	35	12
7	*LS-12-700 CCT SI E	700	13-17.2	35	12

\*Regular stockpile products

◆ **Inrush Current**

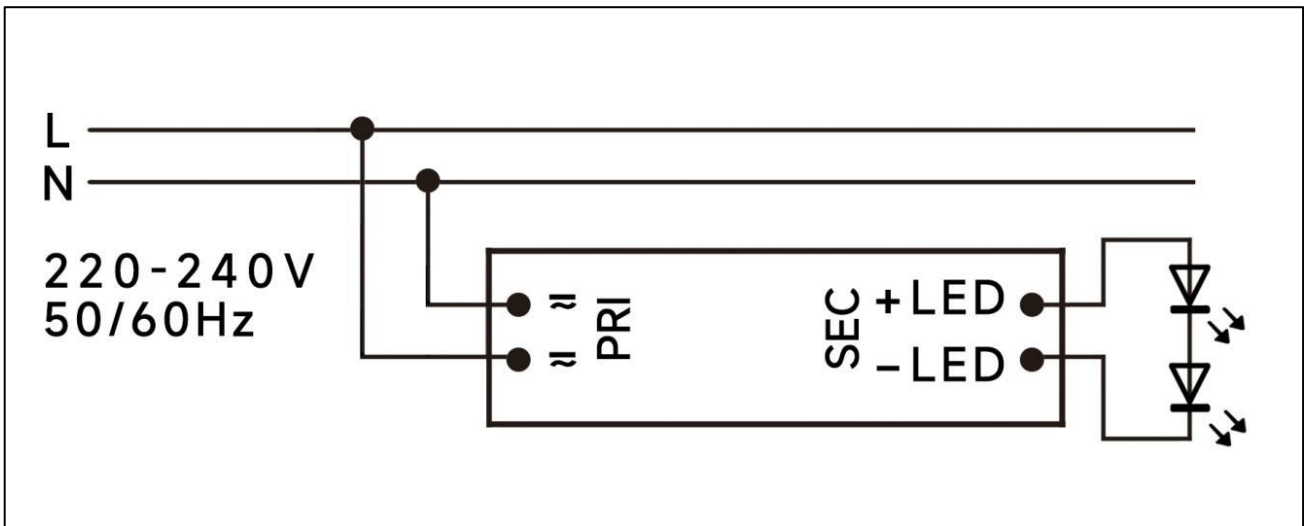
$I_{peak}$	Twidth	B10	B16	B20	C10	C16	C20
9.21A	<b>89.6<math>\mu</math>s</b>	44pcs	71pcs	88pcs	44pcs	71pcs	88pcs



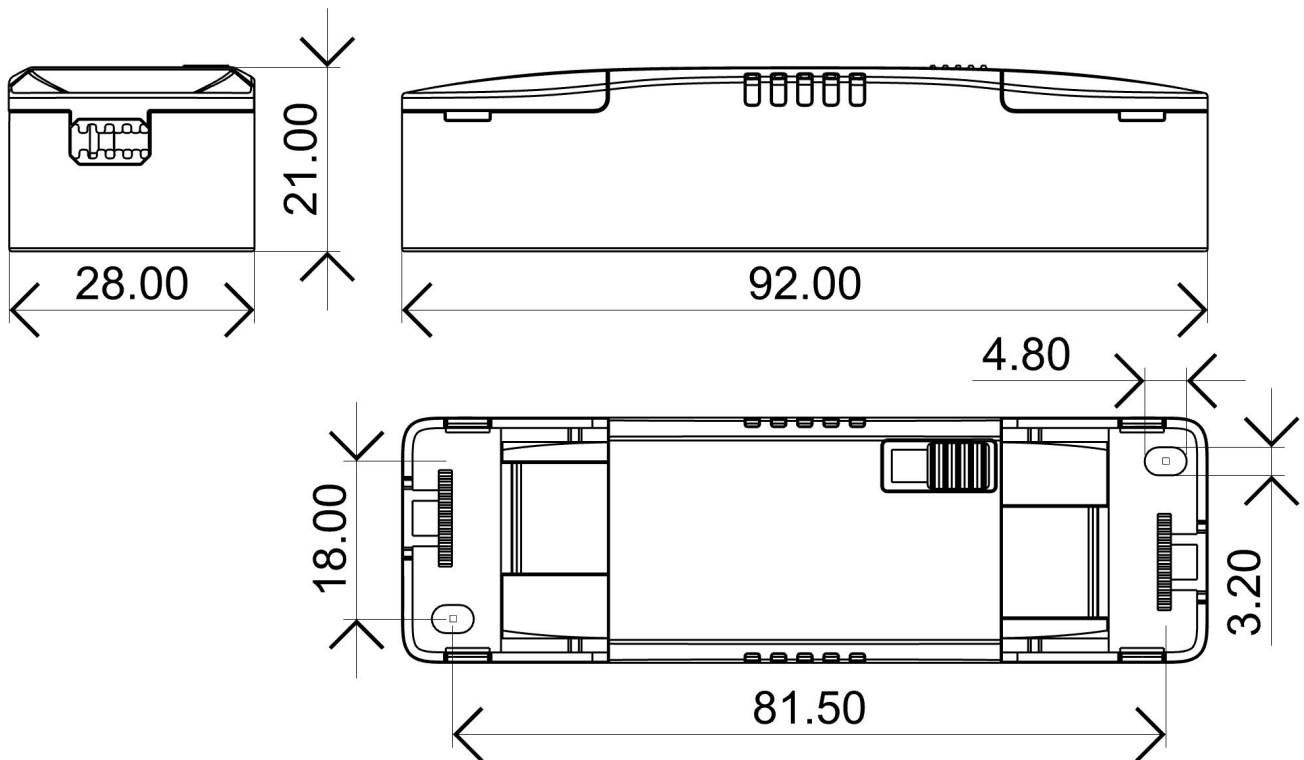
Remarks:

- 1.The number of drives mounted under different MCBs in the table is the maximum value. Please do not exceed this number during installation.
- 2.Different brands and models of miniature circuit breakers, the number of drives mounted will be slightly different.

◆ **Wiring diagram**



### ◆ 2D diagram



### ◆ Wiring & Connections

Specification item		Value (Unit )
Input	Input wire cross-section	0.5...1.5 mm <sup>2</sup> (With side caps: 0.75...1.5 mm <sup>2</sup> )
	Input wire gauge.	16...20 AWG (With side caps: 16...22 AWG )
	Input wire strip length	7...9mm
Output	Output wire cross-section	0.5...1.5 mm <sup>2</sup>
	Output wire gauge.	16...20 AWG
	Output wire strip length	7...9mm

### ◆ Recommended wire

Wire cross-section	Wire type
2*0.5mm <sup>2</sup>	H03VVH2-F 2core
2*0.75mm <sup>2</sup>	H03VVH2-F 2core
1.5mm <sup>2</sup>	CCC 08(RV-90)
16AWG(1.25mm <sup>2</sup> )	UL1015

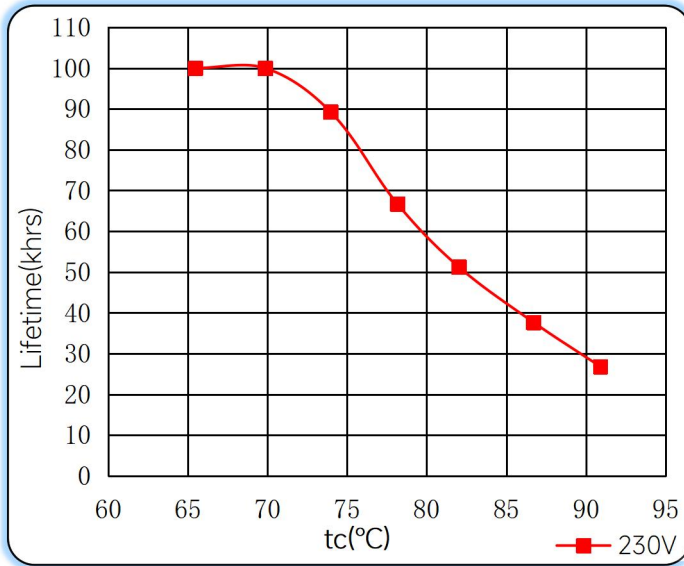
Note: Solid wire is risky to use on an angled terminal. Stranded wire is recommended for this kind of use.

## ◆ Packaging

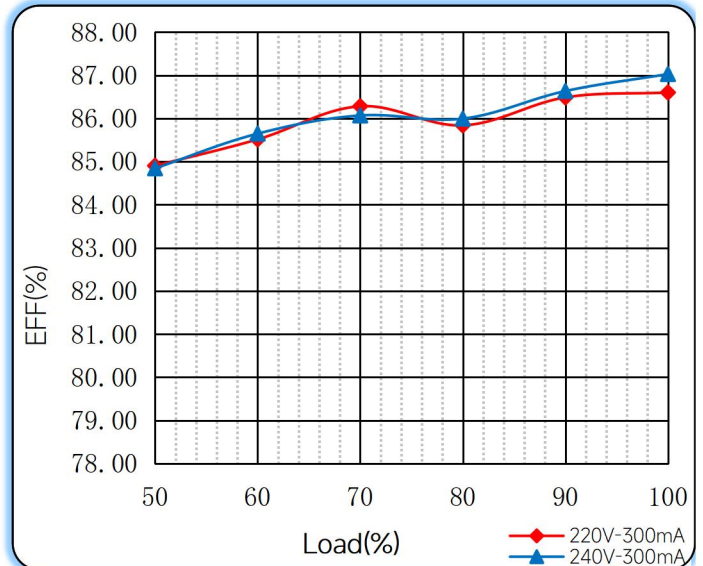
Model	Product Dimensions(mm)	weight/piece	Outer carton dimension(mm)	Quantity/carton	Net weight/carton(Kg)	Gross weight/carton(Kg)
LS-12-XXX CCT SI E	92X28X21	0.03005	Inside:295X255X200 Outside:310X265*210	135	4.05675	4.59675

◆ Curve for LS-12-300 CCT SI E, Io=300mA

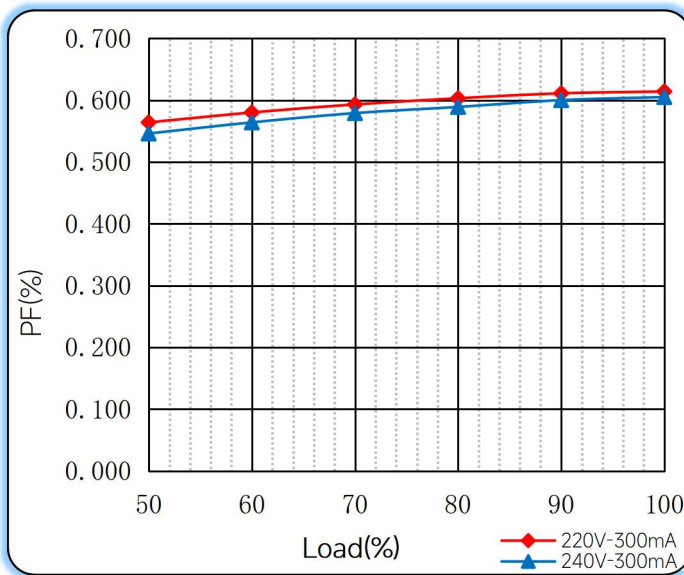
Lifetime vs. Temperature Curve



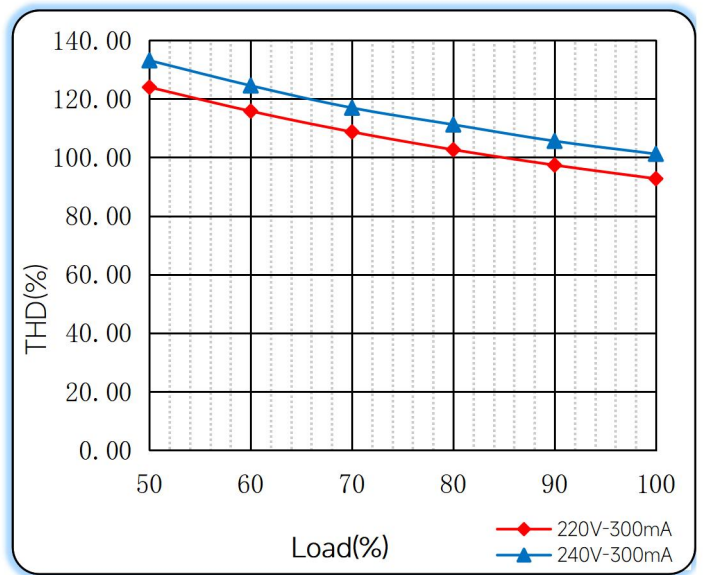
Efficiency vs. Load



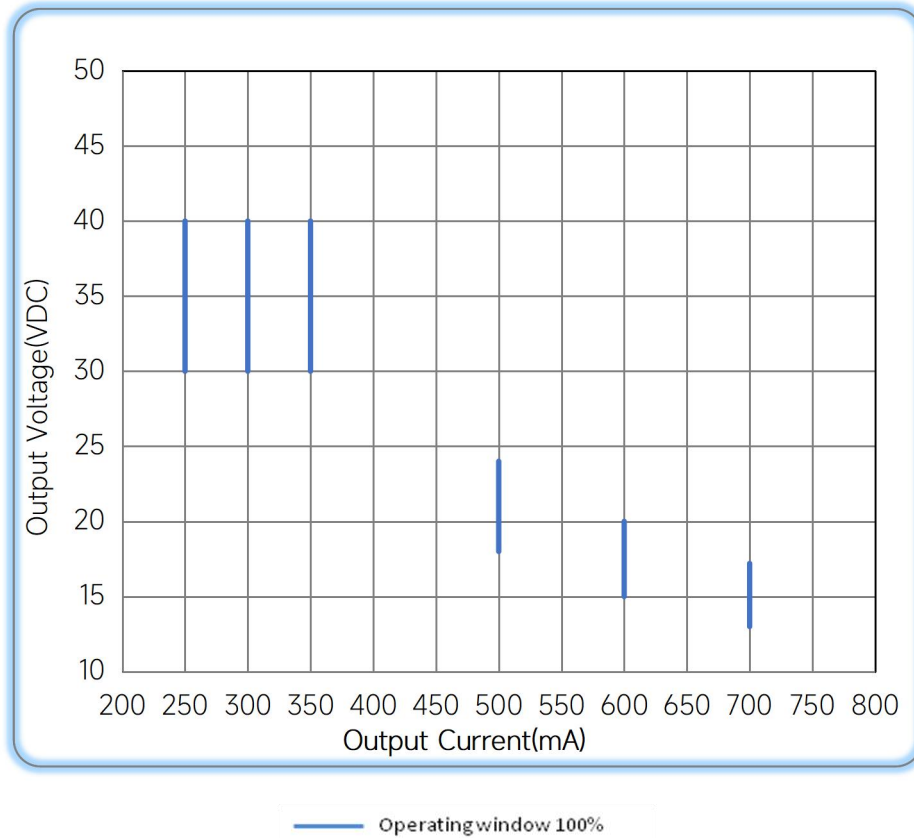
Power Factor Characteristics



THD vs. Load



### ◆ Operating window



### ◆ Revision Updates

ITEM	BEFORE	AFTER	VERSION	DATE
Initial			A	2024/09/10
Life time	> 50,000h@Tc=80°C	> 50,000h@Tc=75°C	B	2024/12/16

Remark: The final interpretation of the contents of the specification belongs to Eaglerise Electric & Electronic (China) Co., Ltd.

Tel: +86-0757-86256822, +86-0757-86256831

E-mail: sales@eaglerise.com

Website : <https://lighting.eaglerise.com>

