

36W Triac Dimming power supply



■ Approve



Features

- For luminaries of protection Class II, SELV, Built-in
- Input Voltage: 220-240VAC
- Protections: SCP/OLP/OVP/OTP
- Power Factor: 0.95
- Efficiency: 85%
- 5 years warranty
- IP20

Applications

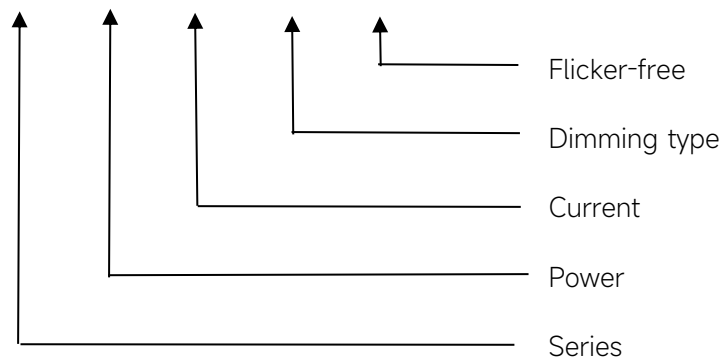
- LED panel, LED down light

◆ Description

CS-36-XXX TRIAC LI is a 36W constant current LED driver that operates from 198-264Vac input with 600-900mA output current. With it's compact dimensions from $\Phi 75 \times 26$ mm it is easy to integrate in LED panel, pendant light and down light products. To ensure trouble-free operation, protection is provided against output short circuit and over Load.

◆ Model code

CS-36-XXX TRIAC LI



◆ Specification

	Constant Current (mA)	600	650	700	750	800	850	900
Output	Voltage Range(VDC)	28-40						
	Unload voltage Max.	59VDC						
	Current Accuracy	±5%@220-240V						
	Output HF current ripple(≥1KHz)	±5%						
	Output LF current ripple(≤120Hz)	±5%						
	SVM	≤0.4						
	Pst	≤1						
	Efficiency(Typ.)	85%						
	Input	Rated input voltage	220-240VAC					
Range of input voltage		198-264VAC						
Maximum voltage		300VAC@1 h maximum,unit might not operate in this abnormal condition						
Frequency(Hz)		50/60 Hz						
Displacement factor		≥0.9						
Power Factor		0.95						
Input Current max (mA)		0.23A						
Start-up time		< 0.5S						
No Load Power		≤0.5W						
THD (Typ.)		<25%						
Dimming		Dimming	YES					
	Dimming mode	Triac, Leading edge & trailing edge dimmable						
	Dimming depth	8%@220-240V						
	Dimming current range	8 ~ 100%						
Protection	Over Load Protection	103-130% YES/Auto Resume						
	Over Voltage Protection	59VDC YES/Auto Resume						
	Short circuit Protection	YES/Auto Resume						
capability	Surge capability (L-N)	1KV						
	Surge capability (L/N-Ground)	NA						
Environment	Operating Temperature	-20°C~+55°C						
	Humidity	20%-90%RH						
	Tc	95°C						
	Storage Temperature	-25°C~+60°C						
	Life time	> 50000h@Tc=85°C						
	Ripple&Noise	≤30dB(A)@20cm						
Surface	Dimension	Φ75 x 26mm						
	material	PC						

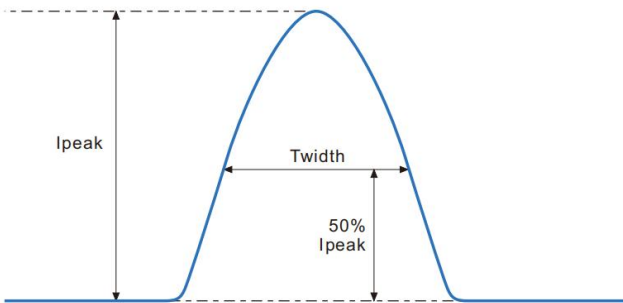
Standards	Safety	GB19510. 1, GB19510. 14;IEC61347- 1, IEC61347-2- 13;EN61347- 1, EN61347-2-13; EN62384
	EMC	GB/T17743, GB17625. 1;EN55015, EN61000-3-2, EN61000-3-3, EN61547;EN61000-4-5;EN61000-4-2,3,4,5,6,8,11, EN61547
	Energy Efficiency	Erp2.0 EU 2019/2020
	RoHS	RoHS (2011/65/EU) (EU)2015/863
Note	<p>1.All parameters not specially mentioned are measured at 230VAC input , full load and 25°C of ambient temperature.</p> <p>2.Ripple & Noise are measured at 20MHz of bandwidth by using a 300mm twisted pair-wire terminated with a 0.1uF & 47 uF parallel capacitor.</p> <p>3.The over-temperature protection of the product is provided by the IC.</p> <p>4.All Eaglerise power supply are complied with EMI regulations. Since they are belong to component and will be installed inside system enclosure. When they are integrated into a system, the EMI characteristics of the system must be re-verified again.</p>	

◆ Model list

Number	Model number	Output			
		Current (mA)	Voltage (VDC)	Voltage No load (VDC)	Power (W)
1	CS-36-600 TRIAC LI	600	28-40	59	24
2	CS-36-650 TRIAC LI	650			26
3	CS-36-700 TRIAC LI	700			28
4	CS-36-750 TRIAC LI	750			30
5	CS-36-800 TRIAC LI	800			32
6	CS-36-850 TRIAC LI	850			34
7	CS-36-900 TRIAC LI	900			36

◆ Inrush Current

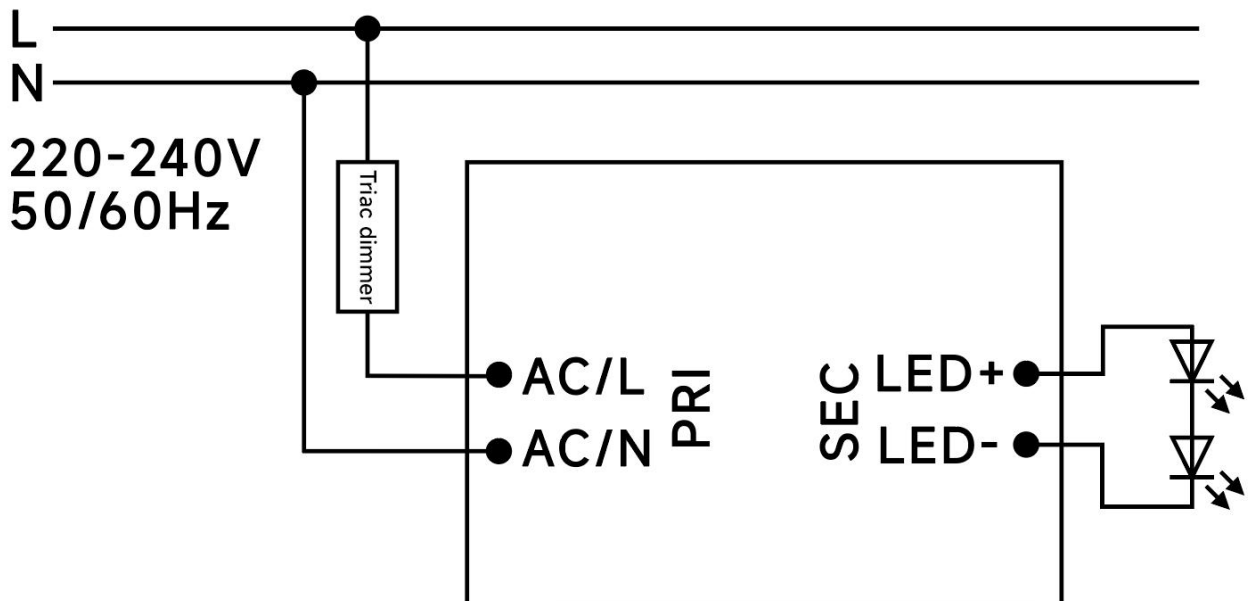
I_{peak}	Twidth	B10	B16	B20	C10	C16	C20
4.08A	19.2 μ s	34pcs	55pcs	69pcs	34pcs	55pcs	69pcs



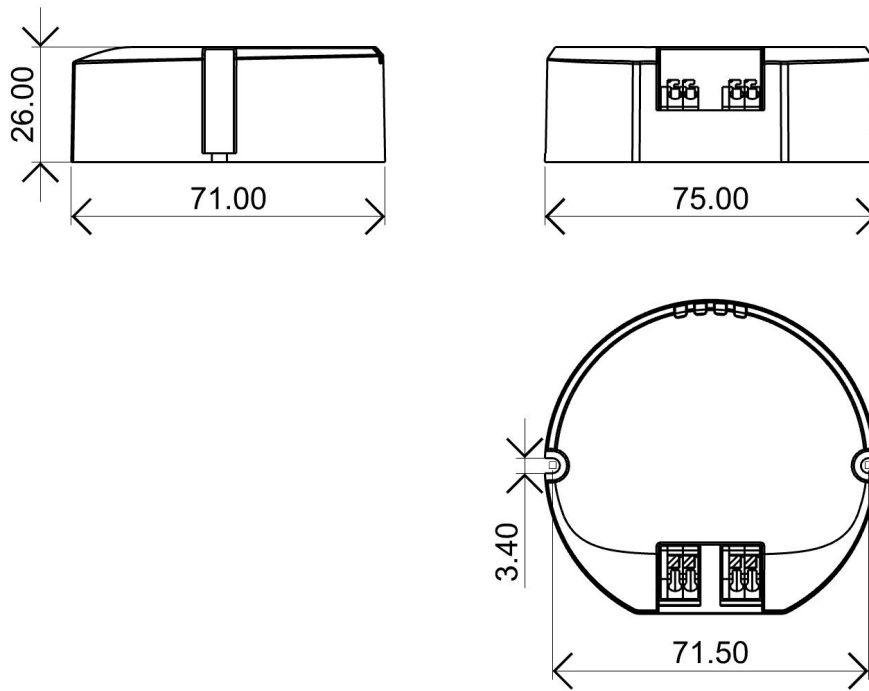
Remarks:

- 1.The number of drives mounted under different MCBs in the table is the maximum value. Please do not exceed this number during installation.
- 2.Different brands and models of miniature circuit breakers, the number of drives mounted will be slightly different.

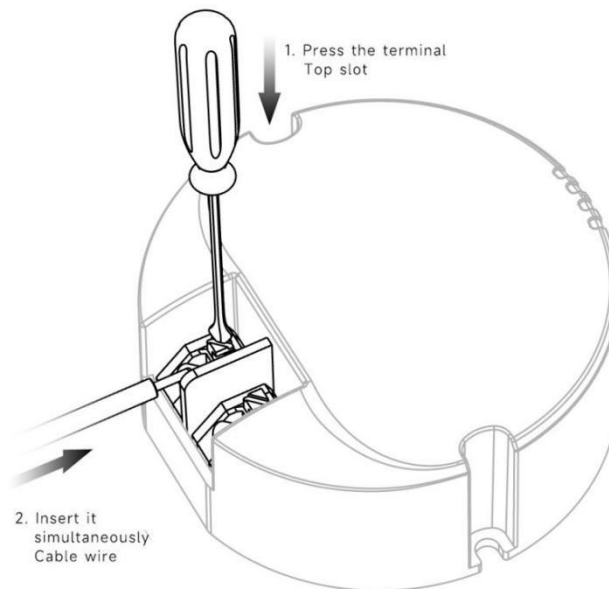
◆ Wiring diagram



◆ 2D diagram



Terminal



◆ Wiring & Connections

Specification item		Value (Unit)
Input	Input wire cross-section	0.5...1.5 mm ²
	Input wire gauge.	16...20 AWG
	Input wire strip length	7...9mm
Output	Output wire cross-section	0.5...1.5 mm ²
	Output wire gauge.	16...20 AWG
	Output wire strip length	7...9mm

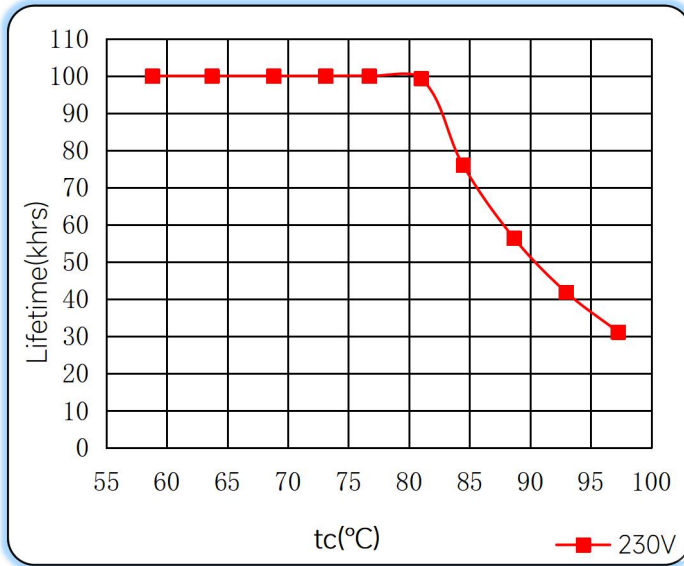
Note: Solid wire is risky to use on an angled terminal. Stranded wire is recommended for this kind of use.

◆ Packaging

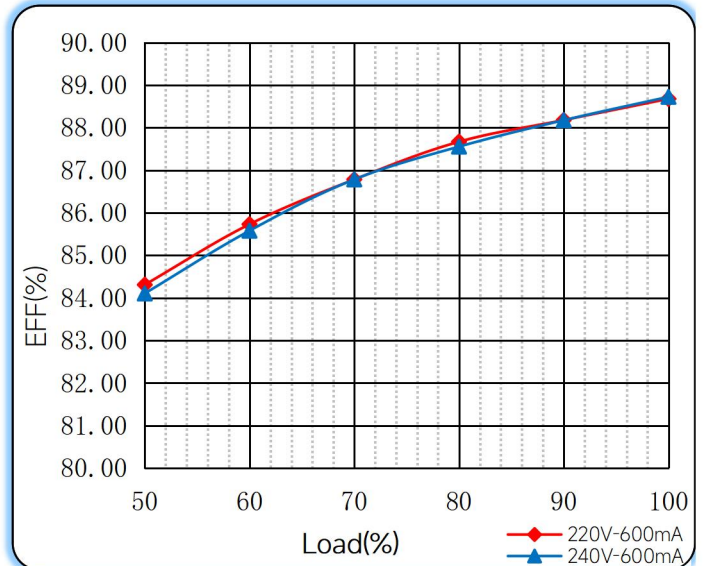
Model	Product Dimensions(mm)	weight/piece	Outer carton dimension(mm)	Quantity/carton	Net weight/carton(Kg)	Gross weight/carton(Kg)
CS-36-XXX TRIAC LI	Φ75 x 26	0.157	Inside:405X315X170 Outside:420X325X185	120	18.84	19.55

◆ **Curve for CS-36-XXX TRIAC LI, I_o=600mA**

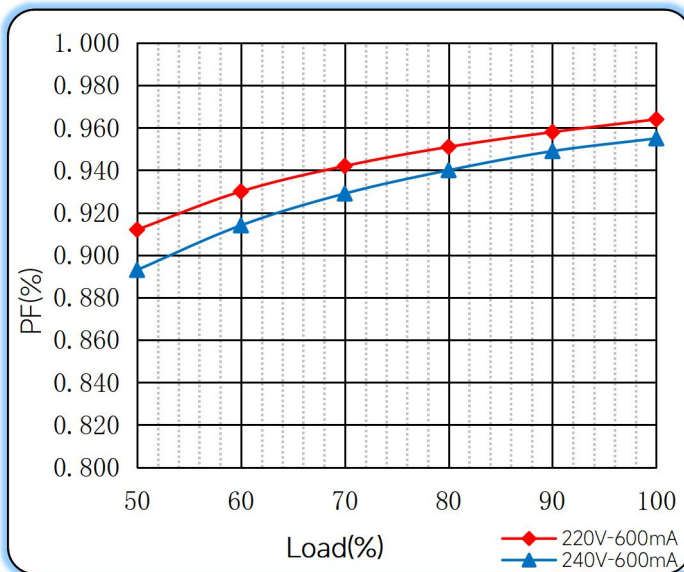
Lifetime vs. Temperature Curve



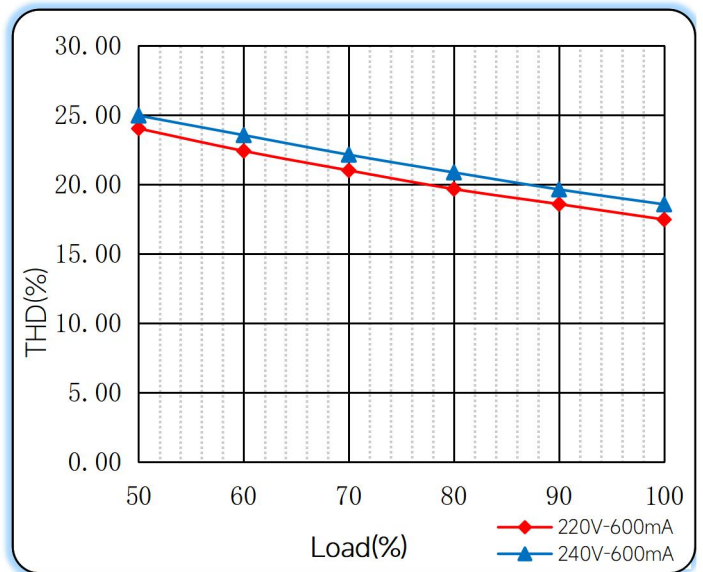
Efficiency vs. Load



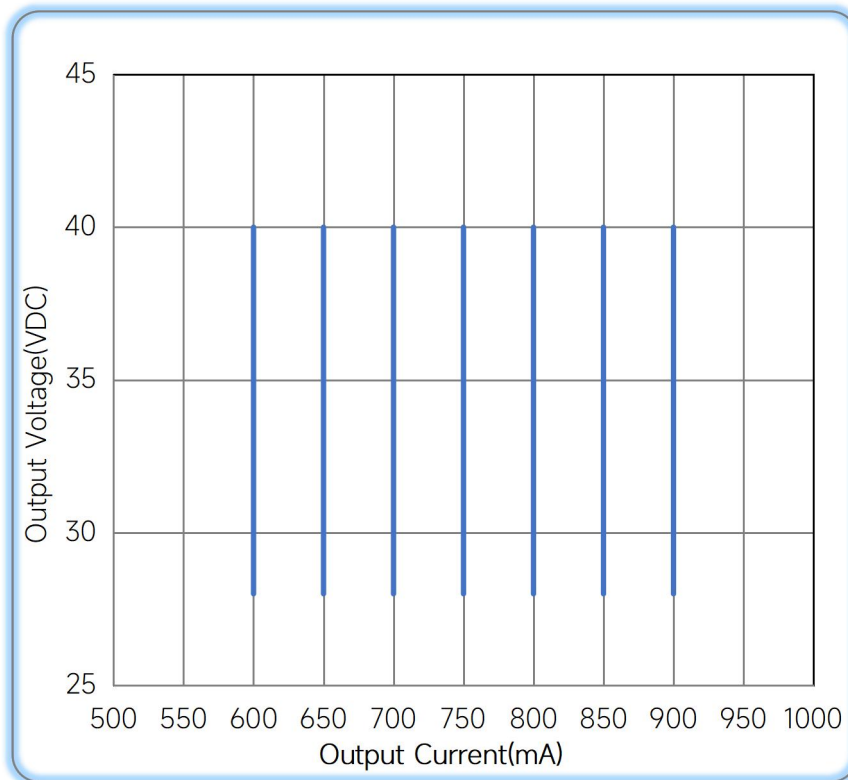
Power Factor Characteristics



THD vs. Load



◆ **Operating window**



— Operating window 100%

◆ **Revision Updates**

ITEM	BEFORE	AFTER	VERSION	DATE
Initial			A	2023/07/15
Power Factor	≥0.95	0.95	B	2024/07/26
Operating Temperature	-20°C~+60°C	-20°C~+50°C	C	2024/08/03
Operating Temperature	-20°C~+50°C	-20°C~+55°C	D	2024/08/09

Remark: The final interpretation of the contents of the specification belongs to Eaglerise Electric & Electronic (China) Co., Ltd.

Tel: +86-0757-86256822, +86-0757-86256831

E-mail: sales@eaglerise.com

Website : <https://lighting.eaglerise.com>

