

## 35W DALI + PUSH Dimming power supply



■ Approve



### Features

- For luminaries of protection Class I or II, SELV, Built-in/Independent(With side caps)
- Input Voltage 220-240VAC
- Protections: SCP/OLP/OVP/OTP
- Power Factor: >0.95
- Efficiency : 90%
- Support DALI-2,Push Dimming
- Adjustable Output Current with dip-switch
- Suitable for emergency lighting acc. to EN 50172
- EOFi=100%
- DALI maintainace(Part 251,252,253)
- 5 years warranty

### Applications

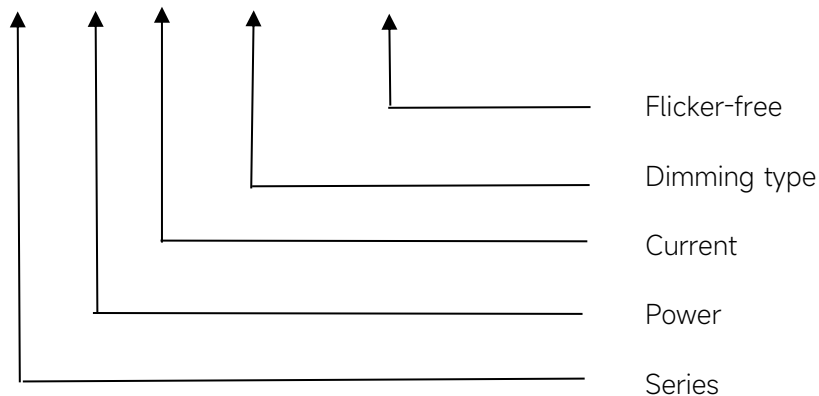
- Linear light

### ◆ Description

FMS-35-700 DALI-2 LD is a 35W constant current LED driver that operates from 198-264Vac input with 150 to 700mA output current and a forward voltage range from 15 to 51Vdc. The output current is adjustable by dip-switch. With it's compact dimensions from 280 x 30 x 21 mm. It is easy to integrate in linear light products. To ensure trouble-free operation, protection is provided against output short circuit and over Load.

### ◆ Model code

#### FMS-35-700 DALI-2 LD



## ◆ Specification

	Constant Current	100mA	150mA	200mA	...mA	700mA	
Output	Voltage Range	15-51VDC					15-50VDC
	Unload voltage Max.	59VDC					
	Current Accuracy	±5%					
	Output LF current ripple(≤120Hz)	±5%					
	SVM	≤0.4					
	Pst	≤1					
	Efficiency(Typ.)	90%					
	EOFI	100%					
	Input	Rated input voltage	220-240V				
Range of input voltage		198-264VAC					
Maximum voltage		300VAC@1 h maximum,unit might not operate in this abnormal condition					
Range input voltage(DC)		176-280VDC					
Frequency(Hz)		0/50/60 Hz					
Displacement factor		>0.95					
Power Factor(Typ.)		>0.95					
Input Current		0.23A max.					
Start-up time		< 0.8S					
Switch over time(AC/DC mode)		< 0.4S					
No Load Power		≤0.3W					
Standby Power		≤0.3W					
Network standby power		≤0.3W					
THD (Typ.)		<10%					
Dimming	Dimming	YES					
	Dimming mode	DALI-2 (IEC 62386-101,102,207,251,252,253) & Push Dimming (Corridor Function)					
	Dimming depth	4mA@100-400mA, 1%@400-700mA					
	Dimming current range	1~100%					
	Dimming method	1%-13% @PWM dimming, 13%-100% @AM dimming					
Protection	Over Load Protection	103-120% YES/Latch off					
	Over Voltage Protection	59VDC YES/Latch off					
	Short circuit Protection	YES/Latch off					
	Over Temperature Protection	YES/Auto Resume					
Capability	Surge capability (L-N)	1KV					
	Surge capability (L/N-Ground)	2KV					
Environment	Operating Temperature	-25°C~+60°C					

	Humidity	10%-90%RH
	Tc	75°C
	Storage Temperature	-25°C~+85°C
	Lifetime	>50000h,@Tc=75°C
	Ripple&Noise	25dB(A)@20CM
Surface	Dimension	280 x 30 x 21(LXWXH)mm
	material	metal case
Standards	Safety	GB19510. 1, GB19510. 14;IEC61347- 1, IEC61347-2- 13;EN61347- 1, EN61347-2- 13;EN61347- 1, EN61347-2- 13, EN62384
	EMC	GB/T17743, GB17625. 1;EN55015, EN61000-3-2, EN61000-3-3, EN61547;EN61000-4-2,3,4,5,6,8,11, EN61547
	ErP	Erp2.0 EU 2019/2020
	RoHS	RoHS (2011/65/EU) (EU)2015/863
DALI performance	EN 62386-101 (DALI-2) EN 62386-102 (DALI-2) EN 62386-207 (DALI-2,including part251,252,253)	
Note	<p>1.All parameters NOT specially mentioned are measured at 230VAC input , full load and 25°C of ambient temperature.</p> <p>2.Ripple &amp; Noise are measured at 20MHz of bandwidth.</p> <p>3.The DC input for this product is only used for emergency lighting and applies to functional and safety requirements, EMC is not considered.</p> <p>4.DALI protocol comprises 16 groups and 64 addresses.Up to 32 drivers can perform the PUSH dimming at the same time when utilizing one push button.</p> <p>5.Unload voltage Max. is measured 5 seconds after power-on.</p> <p>6.EL compatible with IEC 61347-2-13 Annex J, compatible with EN 60598-2-22 emergency lighting fixtures, compatible with EN 50172 central battery system applications.</p> <p>7.All Eaglerise power supply are complied with EMI regulations. Since they are belong to component and will be installed inside system enclosure. When they are integrated into a system, the EMI characteristics of the system must be re-verified again.</p>	

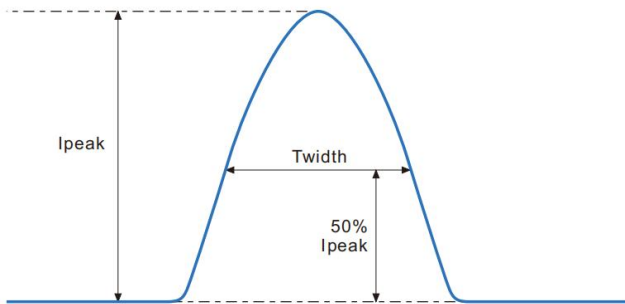
## ◆ Parameter

Number	Output				Switch position			
	Current (mA)	Voltage (VDC)	Voltage No load (VDC)	Power (W)	1	2	3	4
1	100mA	15-51VDC	59VDC	5.1W	ON	ON	--	--
2	150mA	15-51VDC		7.7W	--	--	ON	--
3	200mA	15-51VDC		10.2W	ON	--	ON	--
4	250mA	15-51VDC		12.8W	--	ON	ON	--
5	300mA	15-51VDC		15.3W	ON	ON	ON	--
6	350mA	15-51VDC		17.9W	--	--	--	ON
7	400mA	15-51VDC		20.4W	ON	--	--	ON
8	450mA	15-51VDC		23W	--	ON	--	ON
9	500mA	15-51VDC		25.5W	ON	ON	--	ON
10	550mA	15-51VDC		28.1W	--	--	ON	ON
11	600mA	15-51VDC		30.6W	ON	--	ON	ON
12	650mA	15-51VDC		33.2W	--	ON	ON	ON
*13	700mA	15-50VDC		35W	ON	ON	ON	ON

\* Factory default

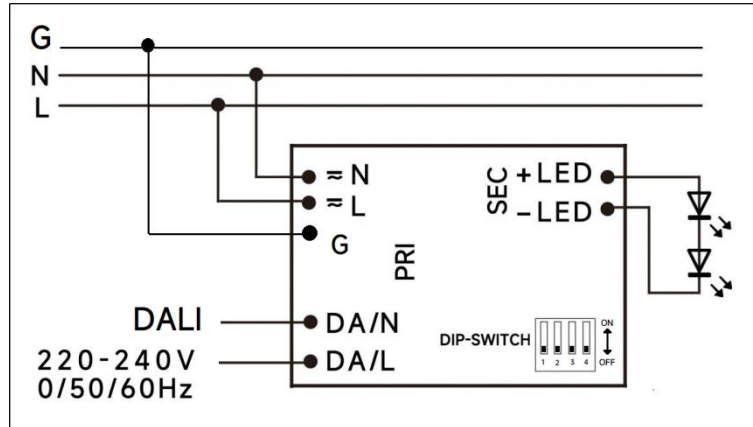
## ◆ Inrush Current

I <sub>peak</sub>	T <sub>width</sub>	B10	B16	B20	C10	C16	C20
7.32A	40μs	34pcs	55pcs	69pcs	34pcs	55pcs	69pcs

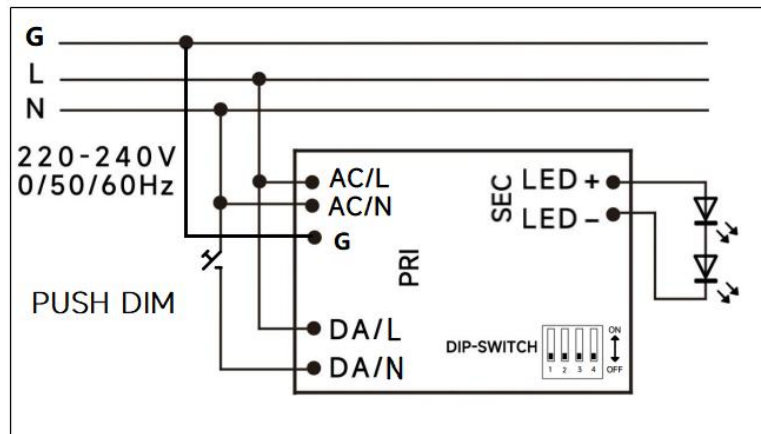
**Remarks:**

- 1.The number of drives mounted under different MCBs in the table is the maximum value. Please do not exceed this number during installation.
- 2.Different brands and models of miniature circuit breakers, the number of drives mounted will be slightly different.

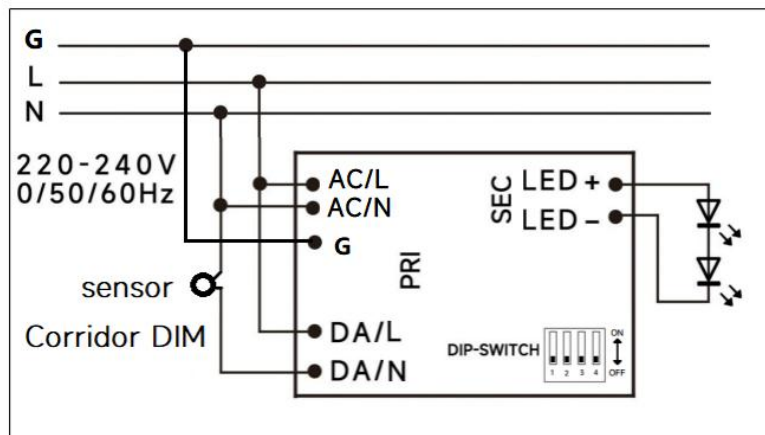
◆ **Wiring diagram**



DALI dimming application

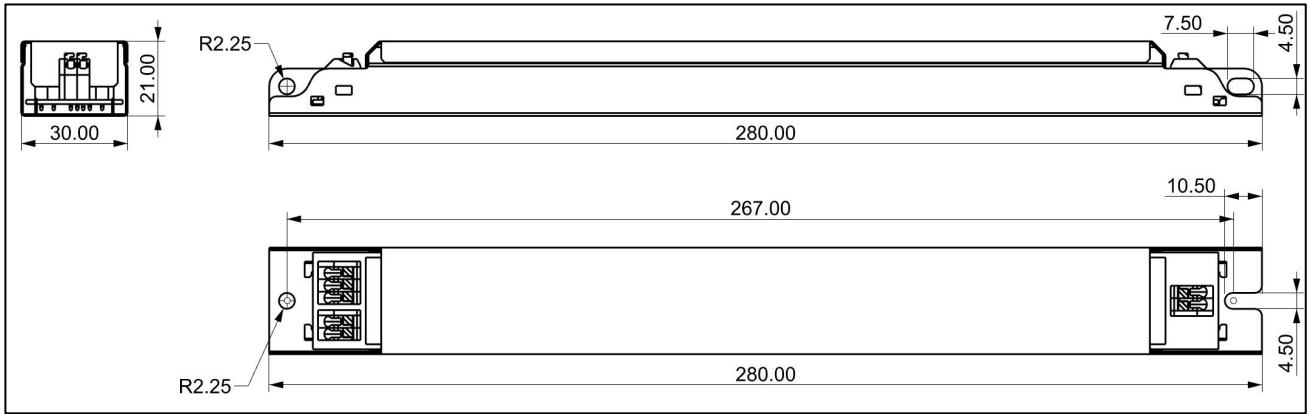


PushDIM dimming application



Corridor DIM dimming application

◆ 2D diagram



## ◆ Wiring & Connections

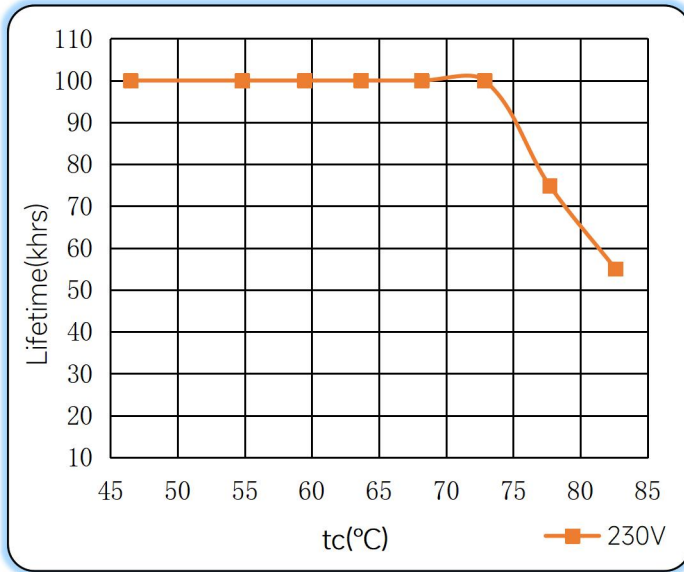
Specification item		Value (Unit )
Input	Input wire cross-section	0.5...1.5 mm <sup>2</sup> (With A side caps: 0.75...1.5 mm <sup>2</sup> )
	Input wire gauge.	16...20 AWG (With A side caps: 16...22 AWG )
	Input wire strip length	7...9mm
Output	Output wire cross-section	0.5...1.5 mm <sup>2</sup>
	Output wire gauge.	16...20 AWG
	Output wire strip length	7...9mm

Note: Solid wire is risky to use on an angled terminal. Stranded wire is recommended for this kind of use.

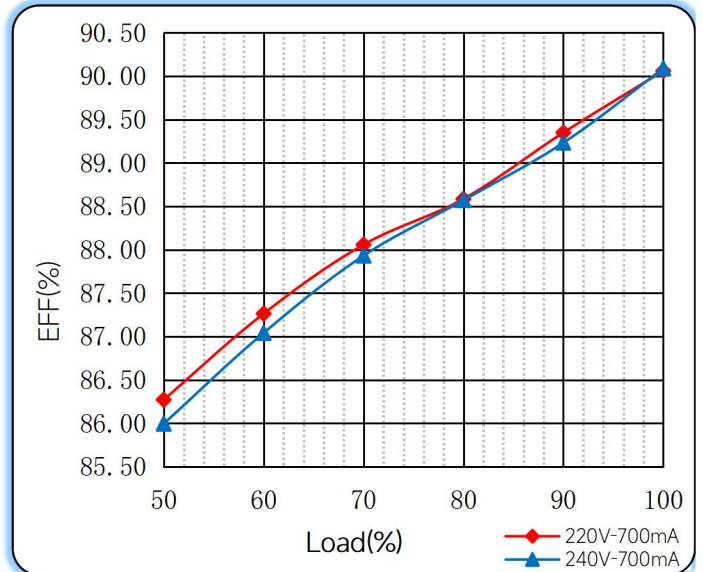


## ◆ Curve for FMS-35-700 DALI-2 LD, $I_o=700mA$

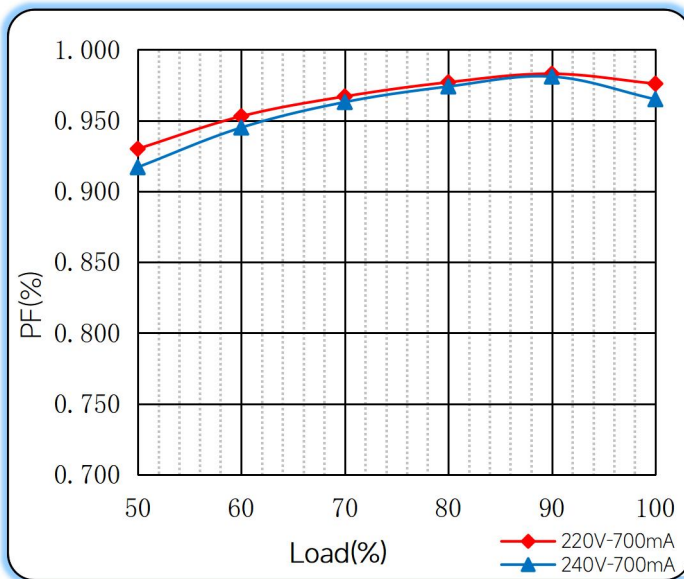
### Lifetime vs. Temperature Curve



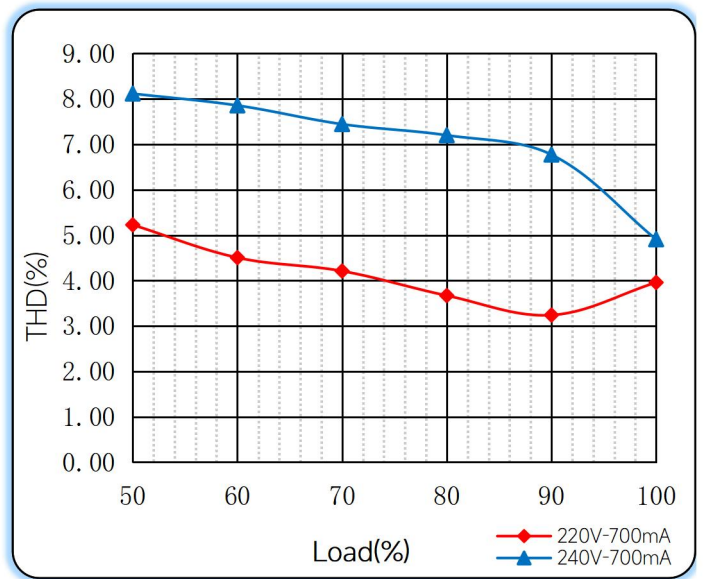
### Efficiency vs. Load



### Power Factor Characteristics



### THD vs. Load



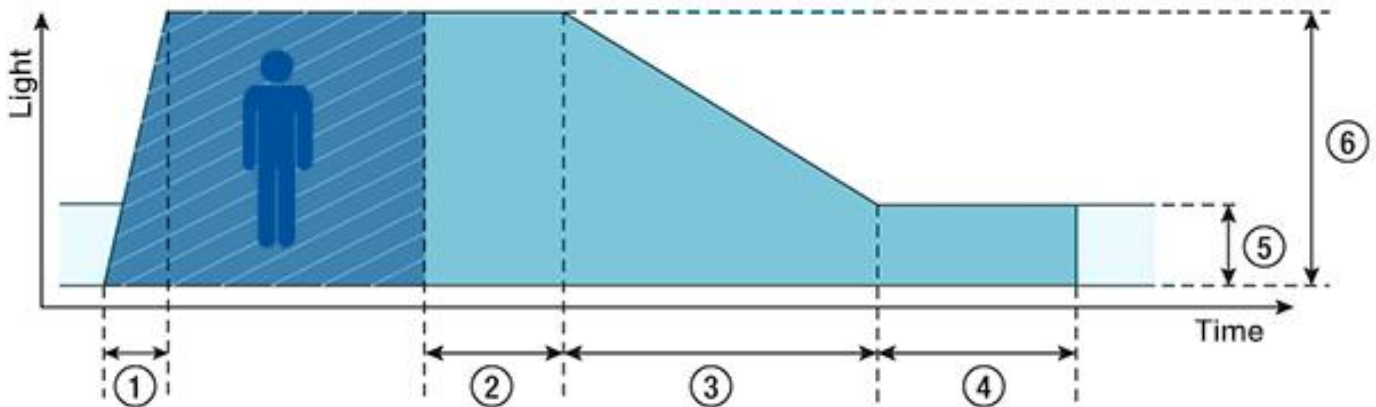
## ◆ Push dimming operation

Action	Action duration	Function
Short push	<0.5s	Turn on/off
Short push twice	<0.5s	LED on: Save current brightness level LED off: Delete saved level and turn on at 100% brightness
Short push five times	<3s	Quit Corridor mode
Long push	0.5-14s	Dimming up or down
Long push	15s-2mins	Sync all LEDs to be 100% brightness
Long push	>2mins	Enter Corridor mode - LED keep 100% brightness for 2mins. Then brightness will turn to be 10% within 32s if no action during 2mins 100% brightness.

### Note:

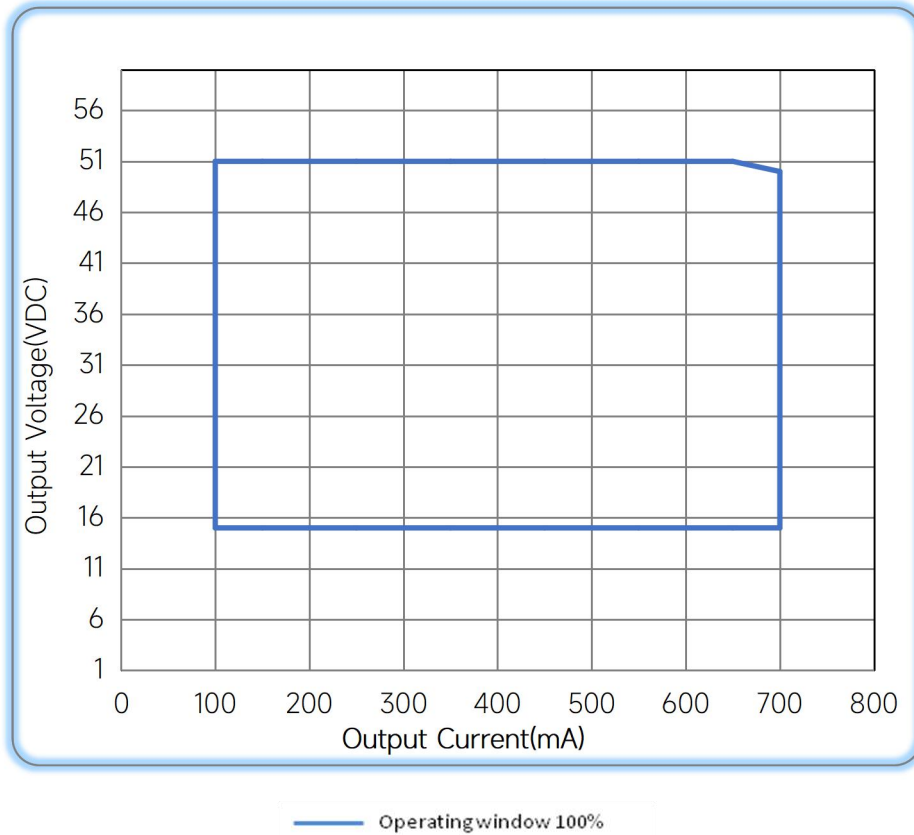
- 1.The factory default brightness is at 100%.
- 2.Up to 30 drivers can perform the PUSH dimming at the same time when utilizing one common push button
- 3.The maximum length of the cable from the push button to the last driver is 200 meters.

## ◆ Corridor mode



- ◆ ① **Fade-in time(0.5s)**: the time that starts as soon as the presence of a person is detected. During the fade-in time the luminous intensity is faded up to the presence value.
- ◆ ② **Run-on time(120s)**: the time that starts as soon as the presence of a person is no longer detected. If the presence of a person is detected again during the run-on time the run-on time is restarted from zero. If no presence is detected during the run-on time the fade time is started as soon as the run-on time expires.
- ◆ ③ **Fade time(32s)**: the time during which the luminous intensity is faded from the presence value to the absence value.
- ◆ ④ **Switch-off delay (Never Off)**: the time during which the absence value is held before the lighting is switched off. Depending on the profile selected the switch-off delay may have different values or may not be defined.
- ◆ ⑤ **Absence value(default: 10 %)**: the luminous intensity when there is no person present.
- ◆ ⑥ **Presence value (default: 100 %)**: the luminous intensity when persons are present.

### ◆ Operating window



### ◆ Revision Updates

ITEM	BEFORE	AFTER	VERSION	DATE
Initial			A	2023/05/05
Dimming depth	2.5mA@150-250mA	4mA@150-400mA	B	2024/05/21
Add 100mA	150-700mA	100-700mA	C	2025/02/25

Remark: The final interpretation of the contents of the specification belongs to Eaglerise Electric & Electronic (China) Co., Ltd.

Tel: +86-0757-86256822, +86-0757-86256831

E-mail: sales@eaglerise.com

Website : <https://lighting.eaglerise.com>

