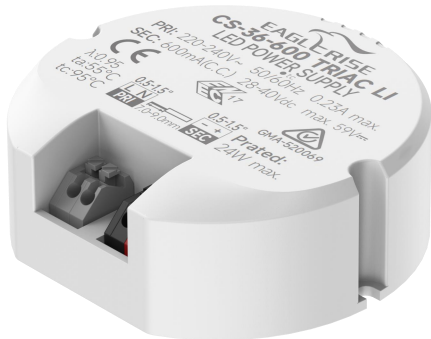


36W Triac Dimming power supply



■ Approve

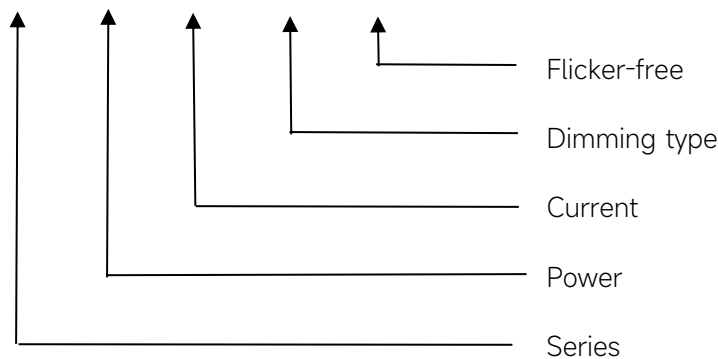
CE CB EN CCC SELV

◆ Description

CS-36-XXX TRIAC LI is a 36W constant current LED driver that operates from 198-264Vac input with 600-900mA output current. With it's compact dimensions from $\Phi 75 \times 26$ mm it is easy to integrate in LED panel, pendant light and down light products. To ensure trouble-free operation, protection is provided against output short circuit and over Load.

◆ Model code

CS-36-XXX TRIAC LI



Features

- For luminaries of protection Class II, SELV, Built-in
- Input Voltage: 220-240VAC
- Protections: SCP/OLP/OVP/OTP
- Power Factor: 0.95
- Efficiency: 85%
- 5 years warranty
- IP20

Applications

- LED panel, LED down light

◆ Specification

| | Constant Current (mA) | 600 | 650 | 700 | 750 | 800 | 850 | 900 |
|------------------------|----------------------------------|--|------------|-----|-----|-----|-----|-----|
| Output | Voltage Range(VDC) | 28-40 | | | | | | |
| | Unload voltage Max. | 59VDC | | | | | | |
| | Current Accuracy | ±5%@220-240V | | | | | | |
| | Output HF current ripple(≥1KHz) | ±5% | | | | | | |
| | Output LF current ripple(≤120Hz) | ±5% | | | | | | |
| | SVM | ≤0.4 | | | | | | |
| | Pst | ≤1 | | | | | | |
| | Efficiency(Typ.) | 85% | | | | | | |
| | Input | Rated input voltage | 220-240VAC | | | | | |
| Range of input voltage | | 198-264VAC | | | | | | |
| Maximum voltage | | 300VAC@1 h maximum,unit might not operate in this abnormal condition | | | | | | |
| Frequency(Hz) | | 50/60 Hz | | | | | | |
| Displacement factor | | ≥0.9 | | | | | | |
| Power Factor | | 0.95 | | | | | | |
| Input Current max (mA) | | 0.23A | | | | | | |
| Start-up time | | < 0.5S | | | | | | |
| No Load Power | | ≤0.5W | | | | | | |
| THD (Typ.) | | <25% | | | | | | |
| Dimming | | Dimming | YES | | | | | |
| | Dimming mode | Triac, Leading edge & trailing edge dimmable | | | | | | |
| | Dimming depth | 8%@220-240V | | | | | | |
| | Dimming current range | 8 ~ 100% | | | | | | |
| Protection | Over Load Protection | 103-130% YES/Auto Resume | | | | | | |
| | Over Voltage Protection | 59VDC YES/Auto Resume | | | | | | |
| | Short circuit Protection | YES/Auto Resume | | | | | | |
| capability | Surge capability (L-N) | 1KV | | | | | | |
| | Surge capability (L/N-Ground) | NA | | | | | | |
| Environment | Operating Temperature | -20°C~+55°C | | | | | | |
| | Humidity | 20%-90%RH | | | | | | |
| | Tc | 95°C | | | | | | |
| | Storage Temperature | -25°C~+60°C | | | | | | |
| | Life time | > 50000h@Tc=85°C | | | | | | |
| | Ripple&Noise | ≤30dB(A)@20cm | | | | | | |
| Surface | Dimension | Φ75 x 26mm | | | | | | |
| | material | PC | | | | | | |

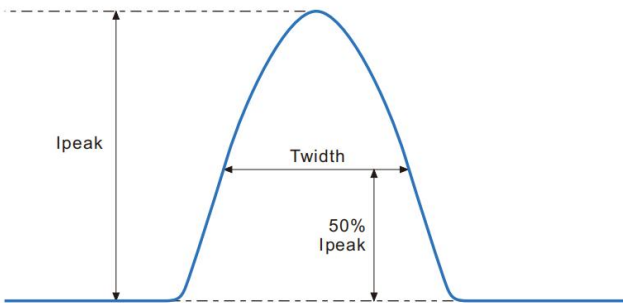
| | | |
|-----------|--|--|
| Standards | Safety | GB19510. 1, GB19510. 14;IEC61347- 1, IEC61347-2- 13;EN61347- 1, EN61347-2-13; EN62384 |
| | EMC | GB/T17743, GB17625. 1;EN55015, EN61000-3-2, EN61000-3-3, EN61547;EN61000-4-5;EN61000-4-2,3,4,5,6,8,11, EN61547 |
| | Energy Efficiency | Erp2.0 EU 2019/2020 |
| | RoHS | RoHS (2011/65/EU) (EU)2015/863 |
| Note | <p>1.All parameters not specially mentioned are measured at 230VAC input , full load and 25°C of ambient temperature.</p> <p>2.Ripple & Noise are measured at 20MHz of bandwidth by using a 300mm twisted pair-wire terminated with a 0.1uF & 47 uF parallel capacitor.</p> <p>3.The over-temperature protection of the product is provided by the IC.</p> <p>4.All Eaglerise power supply are complied with EMI regulations. Since they are belong to component and will be installed inside system enclosure. When they are integrated into a system, the EMI characteristics of the system must be re-verified again.</p> | |

◆ Model list

| Number | Model number | Output | | | |
|--------|--------------------|--------------|---------------|-----------------------|-----------|
| | | Current (mA) | Voltage (VDC) | Voltage No load (VDC) | Power (W) |
| 1 | CS-36-600 TRIAC LI | 600 | 28-40 | 59 | 24 |
| 2 | CS-36-650 TRIAC LI | 650 | | | 26 |
| 3 | CS-36-700 TRIAC LI | 700 | | | 28 |
| 4 | CS-36-750 TRIAC LI | 750 | | | 30 |
| 5 | CS-36-800 TRIAC LI | 800 | | | 32 |
| 6 | CS-36-850 TRIAC LI | 850 | | | 34 |
| 7 | CS-36-900 TRIAC LI | 900 | | | 36 |

◆ **Inrush Current**

| I_{peak} | Twidth | B10 | B16 | B20 | C10 | C16 | C20 |
|------------|--------|-------|-------|-------|-------|-------|-------|
| 4.08A | 19.2μs | 34pcs | 55pcs | 69pcs | 34pcs | 55pcs | 69pcs |

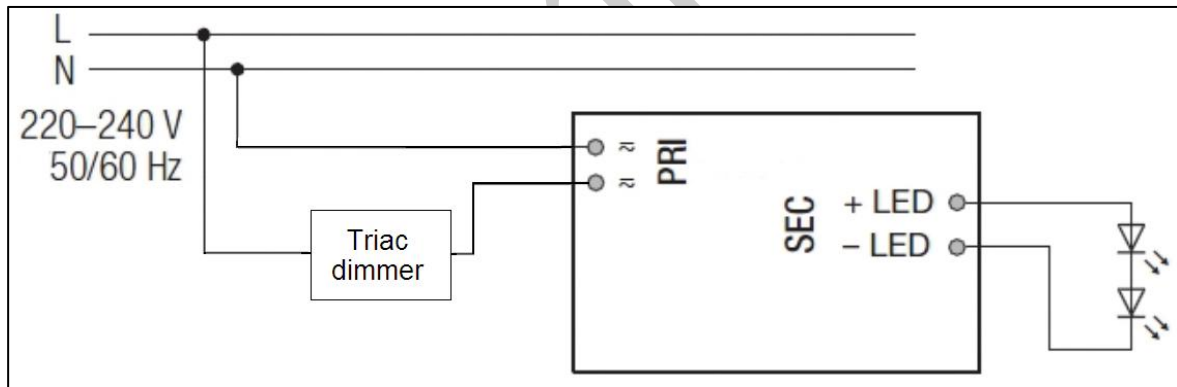


Remarks:

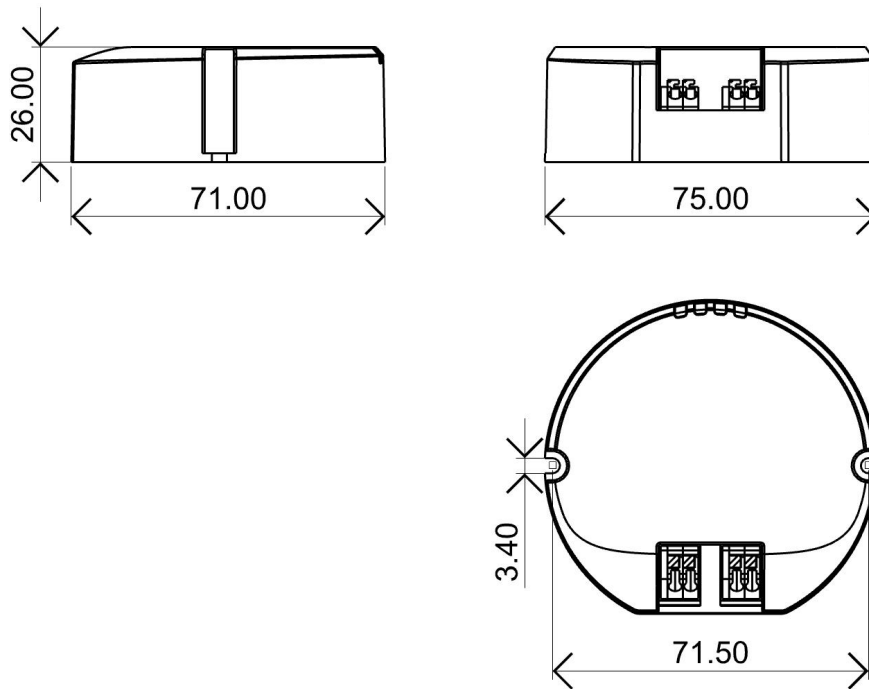
1.The number of drives mounted under different MCBs in the table is the maximum value. Please do not exceed this number during installation.

2.Different brands and models of miniature circuit breakers, the number of drives mounted will be slightly different.

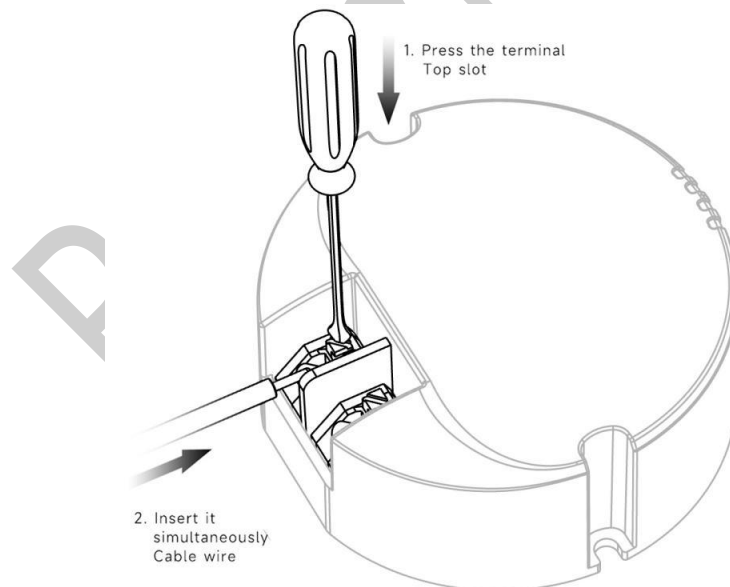
◆ **Wiring diagram**



◆ **2D diagram**



Terminal



◆ Wiring & Connections

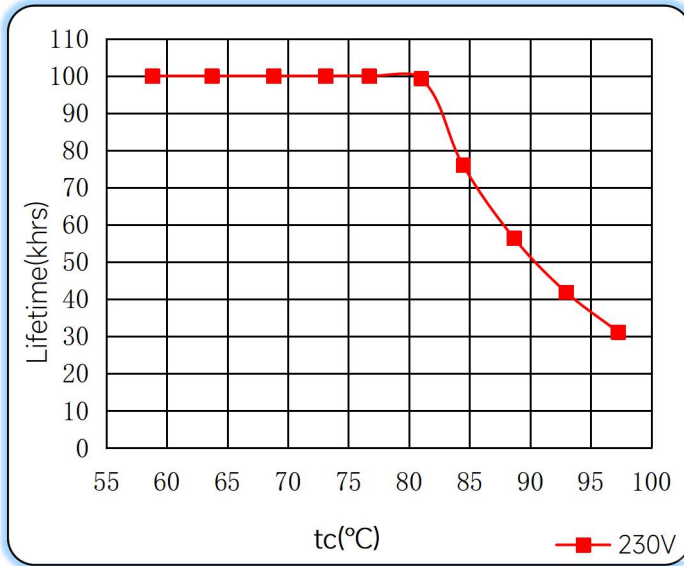
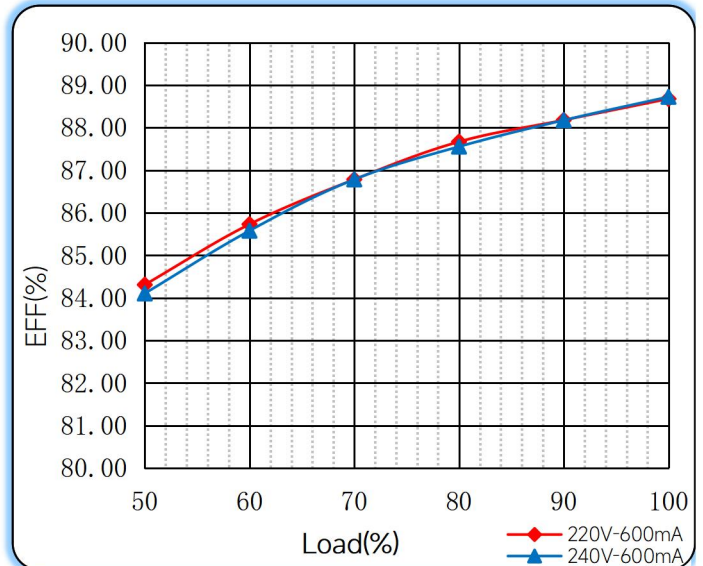
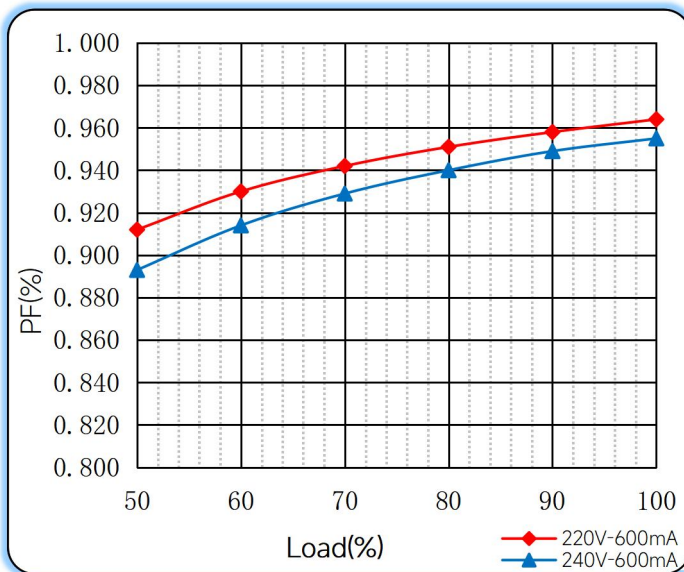
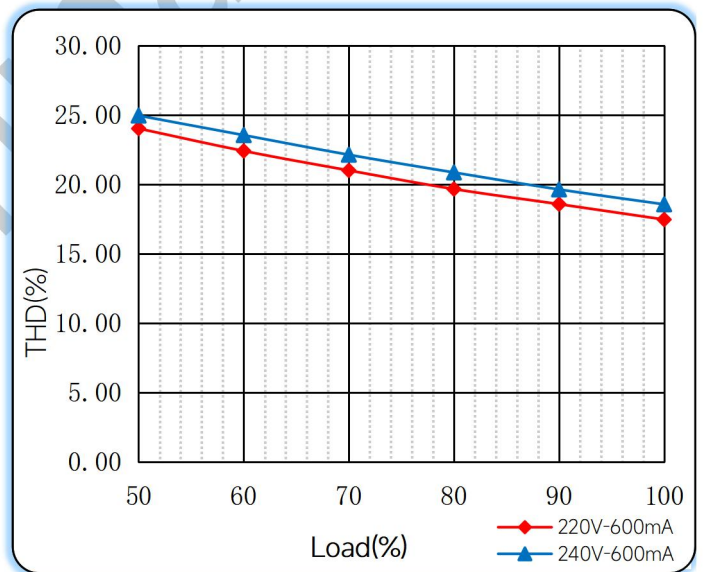
| Specification item | | Value (Unit) |
|--------------------|--------------------------|--------------------------|
| Input | Input wire cross-section | 0.5..1.5 mm ² |

| | | |
|--------|---------------------------|---------------------------|
| | Input wire gauge. | 16...20 AWG |
| | Input wire strip length | 7...9mm |
| Output | Output wire cross-section | 0.5...1.5 mm ² |
| | Output wire gauge. | 16...20 AWG |
| | Output wire strip length | 7...9mm |

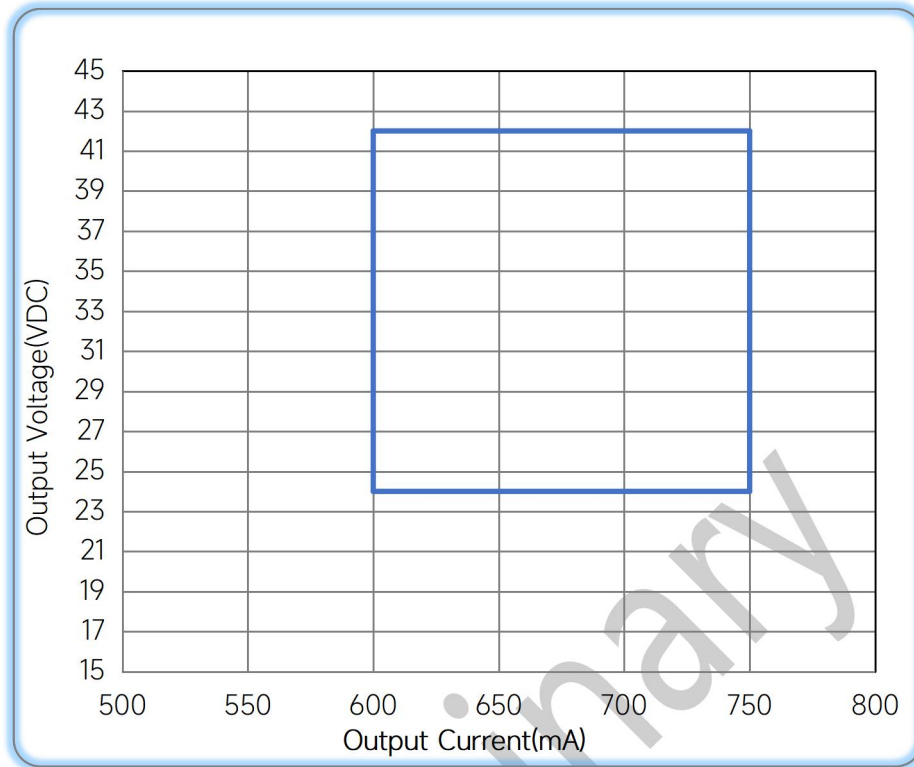
Note: Solid wire is risky to use on an angled terminal. Stranded wire is recommended for this kind of use.

Preliminary

◆ Curve for CS-36-XXX TRIAC LI, I_o=600mA

Lifetime vs. Temperature Curve

Efficiency vs. Load

Power Factor Characteristics

THD vs. Load


◆ **Operating window**



— Operating window 100%

◆ **Revision Updates**

| ITEM | BEFORE | AFTER | VERSION | DATE |
|-----------------------|-------------|-------------|---------|------------|
| Initial | | | A | 2023/07/15 |
| Power Factor | ≥0.95 | 0.95 | B | 2024/07/26 |
| Operating Temperature | -20°C~+60°C | -20°C~+50°C | C | 2024/08/03 |

Remark:The final interpretation of the contents of the specification belongs to Eaglerise Electric & Electronic (China) Co., Ltd.

Tel: +86-0757-86256822, +86-0757-86256831

E-mail: sales@eaglerise.com

Website : <https://lighting.eaglerise.com>



EAGLERISE



Manual