

75W constant Voltage-LS Series



Features

- Class II, SELV, Independent
- Input Voltage 220-240VAC
- Protections: SCP/OLP/OCP
- Power Factor: ≥ 0.95 (Typ.)
- Efficiency: $\geq 89\%$ @12V; $\geq 89\%$ @24V(Typ.)
- 5 years warranty

Applications

- LED strips

■ Approve

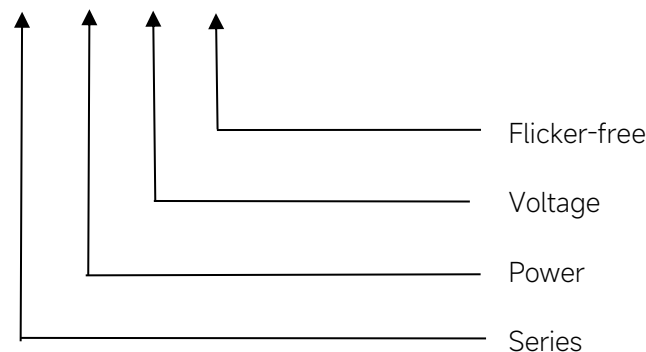


◆ Description

LS-75-XX LI1 EXC is a 75W constant voltage LED driver that operates from 198-264Vac input with 12V or 24V output voltage. With it's compact dimensions from 150 x 45x 30mm. It is easy to integrate in LED strips products. To ensure trouble-free operation, protection is provided against output short circuit and over Load.

◆ Model code

LS-75-XX LI1 EXC



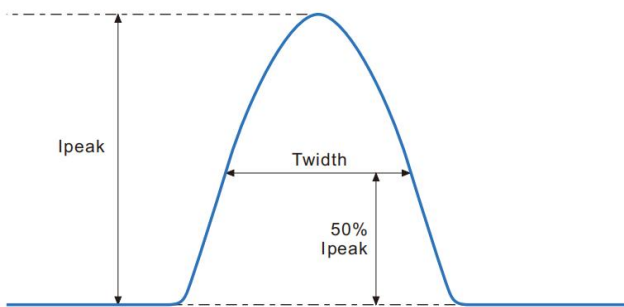
◆ Specification

Output	Constant Voltage	12VDC	24VDC
	Current Range	0-6.25A	0-3.13A
	Voltage Accuracy	±5%	
	Output HF current ripple(≥1KHz)	±3%	
	Output LF current ripple(≤120Hz)	±3%	
	SVM	≤0.4@Full Load	
	Pst	≤1@Full Load	
	Efficiency(Typ.)	≥89%@Full load,230V	
Input	Rated input voltage	220-240V	
	Range of input voltage	198-264VAC	
	Frequency(Hz)	50/60 Hz	
	Displacement factor	≥0.95	
	Power Factor	≥0.95@Full load,230V	
	Input Current max	0.55A	
	Start-up time	< 0.5S	
	No Load Power	≤0.5W	
	THD (Typ.)	< 10%@Full load,230V	
Protection	Over Load Protection	105-150%	
		YES/Auto Resume	
	Over Circuit Protection	> 9.375A	> 4.687A
		YES/Auto Resume	
Short circuit Protection	YES/Auto Resume		
capability	Surge capability (L-N)	1KV	
	Surge capability (L/N-Ground)	2KV	
Environment	Operating Temperature	-20°C~+45°C	
	Humidity	20%-90%RH	
	Tc	90°C	
	Storage Temperature	-20°C~+60°C	
	Life time	> 50000h@Tc=90°C	
	Ripple & Noise	≤25dB(A)@20cm	
Surface	Dimension	150X45X30(LXWXH)mm	
	material	PC	
Standards	Safety	GB19510. 1, GB19510. 14;EN61347- 1, EN61347-2- 13	
	EMC	GB/T17743, GB17625. 1;EN55015, EN61000-3-2, EN61000-3-3, EN61547;EN61000-4-5	
	Energy Efficiency	Erp2.0 EU 2019/2020	
	RoHS	RoHS (2011/65/EU) (EU)2015/863	

Note	<p>1.All parameters NOT specially mentioned are measured at 240VAC input , full load and 25°C of ambient temperature.</p> <p>2.Ripple & Noise are measured at 20MHz of bandwidth by using a 300mm twisted pair-wire terminated with a 0.1uF & 47 uF parallel capacitor.</p> <p>3.Switch and dimmer are not recommended to connect between this product output and luminaries.</p> <p>4.The DC input for this product is only used for emergency lighting and applies to functional and safety requirements, EMC is not considered.</p>
------	--

◆ Inrush Current

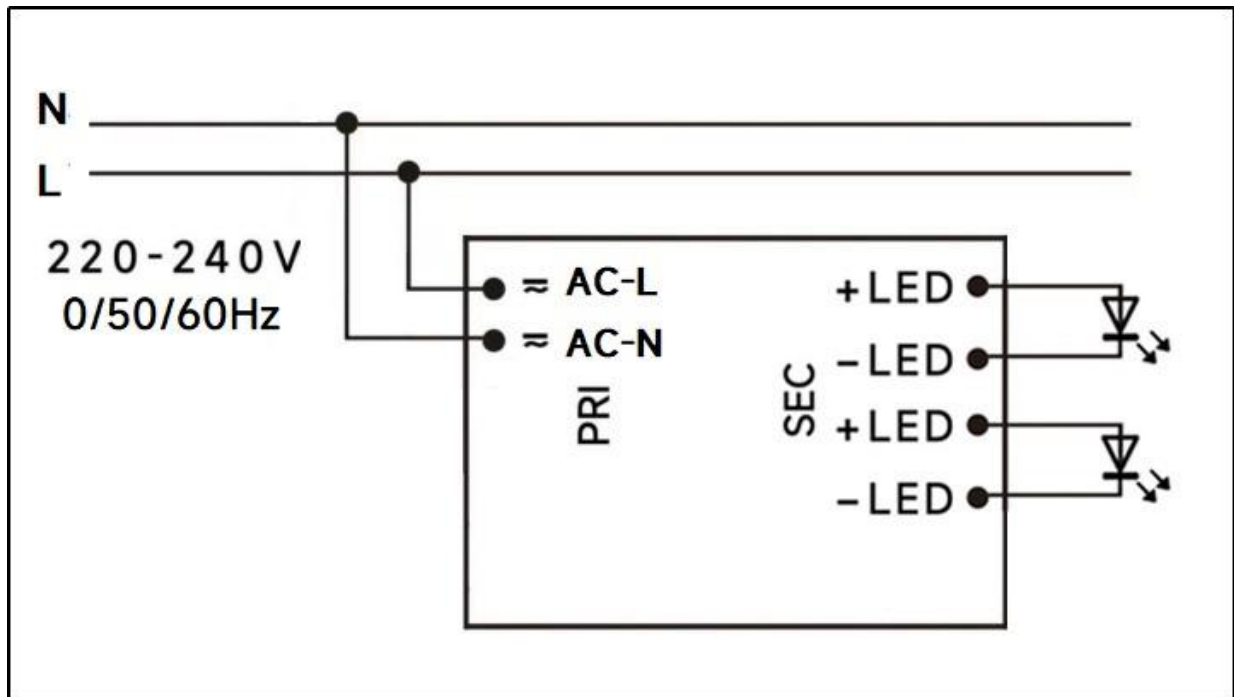
I_{peak}	Twidth	B10	B16	B20	C10	C16	C20
45.5A	208μs	8pcs	13pcs	17pcs	14pcs	23pcs	28pcs



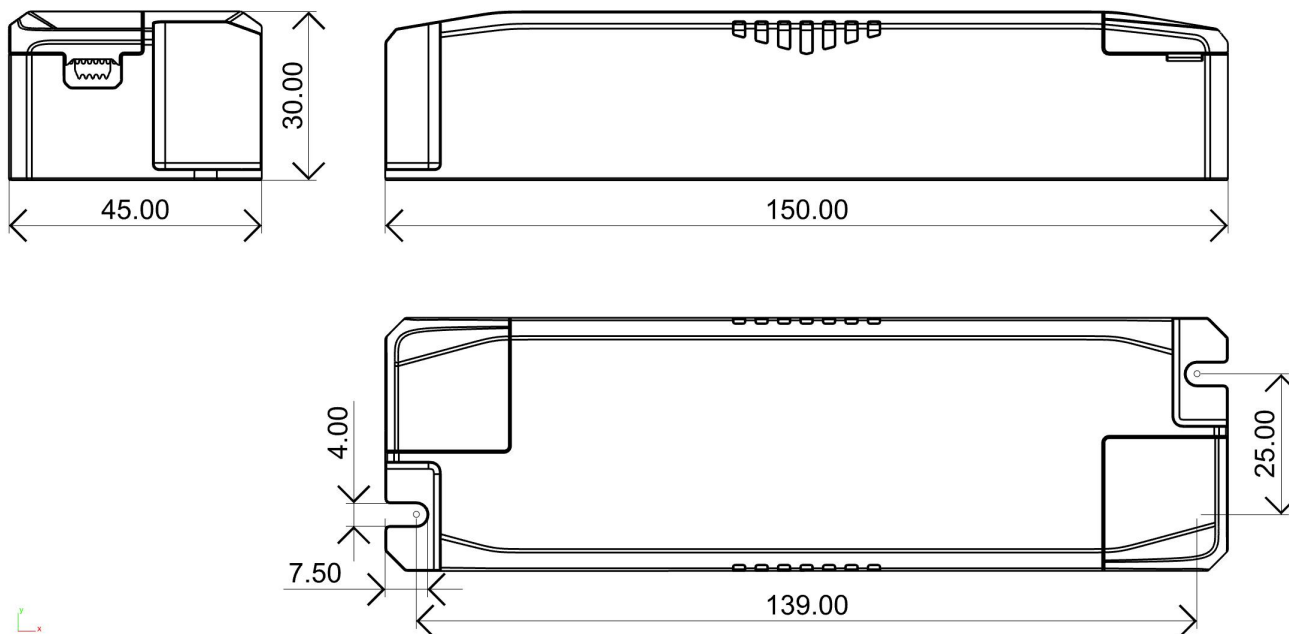
Remarks:

- 1.The number of drives mounted under different MCBs in the table is the maximum value. Please do not exceed this number during installation.
- 2.Different brands and models of miniature circuit breakers, the number of drives mounted will be slightly different.

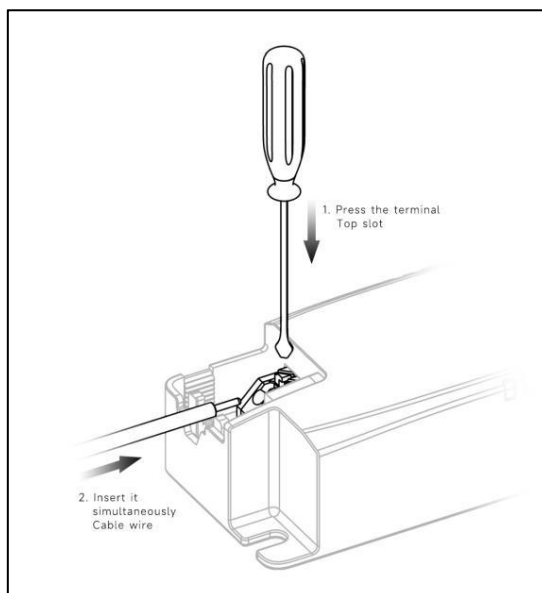
◆ Wiring diagram



◆ 2D diagram



Termina



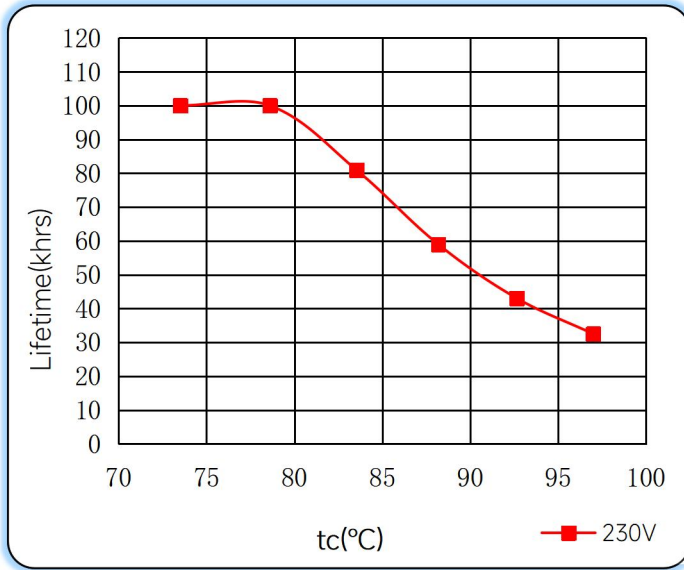
◆ Wiring & Connections

	Specification item	Value (Unit)
Input	Input wire cross-section	0.5...1.5 mm ²
	Input wire gauge.	16...20 AWG
	Input wire strip length	7...9mm
Output	Output wire cross-section	0.5...1.5 mm ²
	Output wire gauge.	16...20 AWG
	Output wire strip length	7...9mm

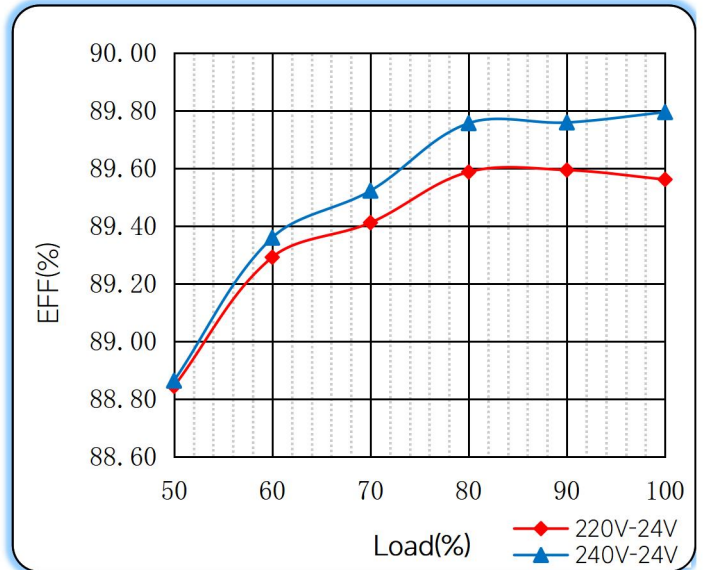
Note: Solid wire is risky to use on an angled terminal. Stranded wire is recommended for this kind of use.

◆ **Curve for LS-75-24 LI1 EXC**

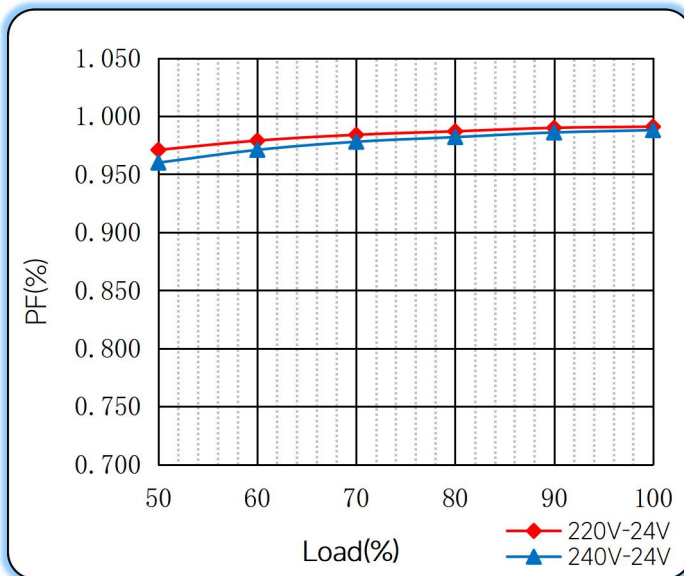
Lifetime vs. Temperature Curve



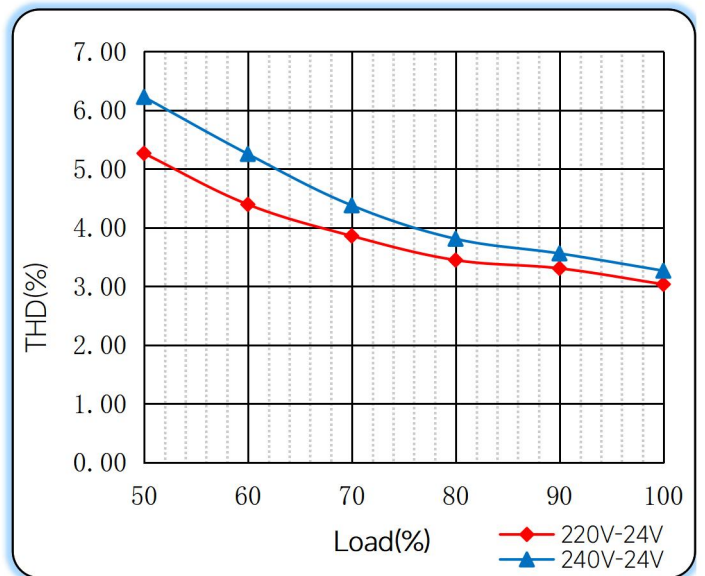
Efficiency vs. Load



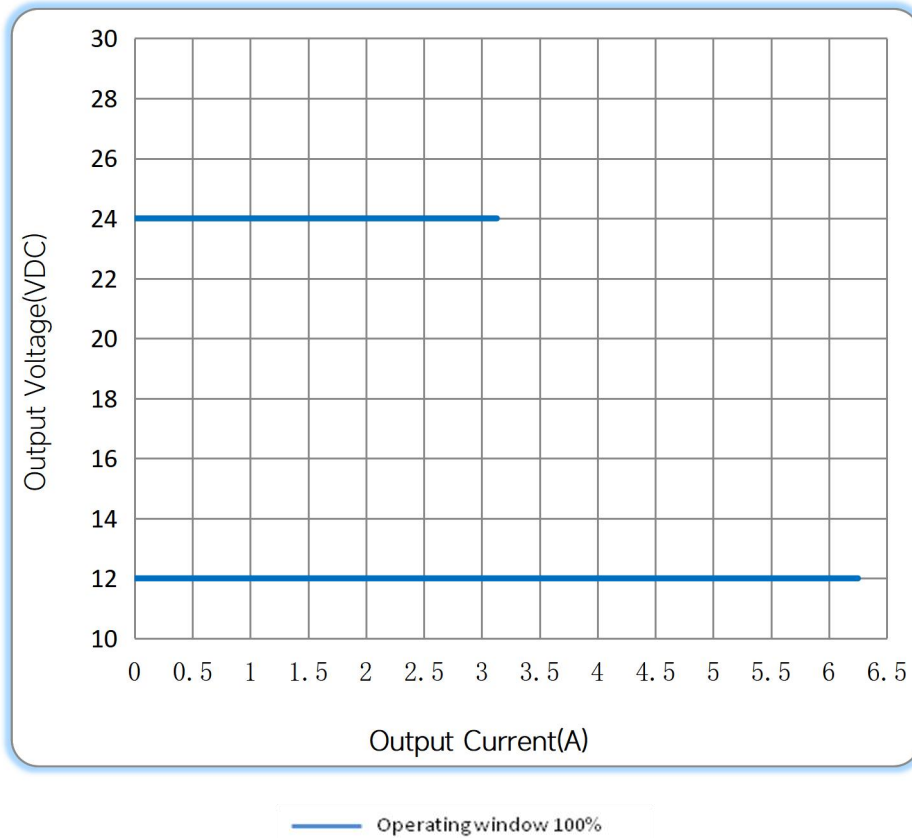
Power Factor Characteristics



THD vs. Load



◆ Operating window



◆ Revision Updates

ITEM	BEFORE	AFTER	VERSION	DATE
Initial			A	2023/07/12
OVP/Ta	40°C	DELETE/45°C	B	2023/12/13

Remark: The final interpretation of the contents of the specification belongs to Eaglerise Electric & Electronic (China) Co., Ltd.

Tel: +86-0757-86256822, +86-0757-86256831

E-mail: sales@eaglerise.com

Website : <https://lighting.eaglerise.com>



EAGLERISE



Manual