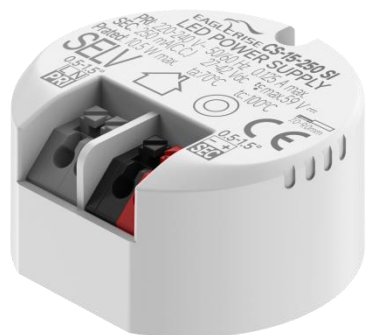


# 15W Constant Current power supply



■ Approve



## Features

- Class II, SELV, Built-in
- Input Voltage: 220-240VAC
- Protections: SCP/OLP/OVP
- Power Factor: 0.55C
- Efficiency: ≥82%
- 5 years warranty
- IP20

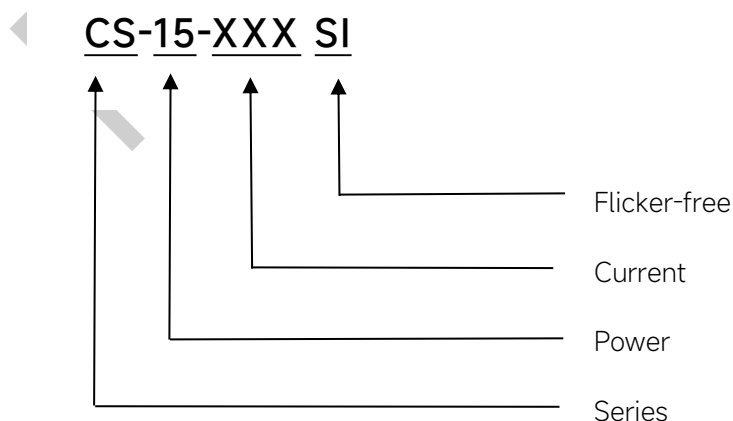
## Applications

- LED panel, LED ceiling light
- LED spot light

## ◆ Description

CS-15-XXX SI is a 15W constant current LED driver with 250 to 350mA output current. With its compact dimensions from  $\Phi 42 \times 21 \text{mm}$ . It is easy to integrate in LED Panel, spot and ceiling lights product. To ensure trouble-free operation, protection is provided against output short circuit and over Load.

## ◆ Model code



## ◆ Specification

	Constant Current (mA)	250	280	300	350
Output	Voltage Range(VDC)	27-42			
	Unload voltage Max.	59VDC			
	Current Accuracy	±5%			
	Output HF current ripple(≥1KHz)	±5%			
	Output LF current ripple(≤120Hz)	±5%			
	SVM	≤0.4			
	Pst	≤1			
	Efficiency(Typ.)	≥82%@Full load,230V			
	Input	Rated input voltage	220-240VAC		
Range of input voltage		198-264VAC			
Maximum voltage		300VAC@1 h maximum,unit might not operate in this abnormal condition			
Frequency(Hz)		50/60 Hz			
Displacement factor		≥0.7			
Power Factor		0.5			
Input Current max (mA)		125mA	150mA	175mA	
Start-up time		< 0.5S			
No Load Power		≤0.5W			
Protection	Over Load Protection	103-130% YES/Auto Resume			
	Over Voltage Protection	59VDC YES/Auto Resume			
	Short circuit Protection	YES/Auto Resume			
	Over Temperature Protection	YES/Auto Resume			
capability	Surge capability (L-N)	1KV			
	Surge capability (L/N-Ground)	2KV			
Environment	Operating Temperature	-20°C~+70°C			
	Humidity	20%-90%RH			
	Tc	100°C			
	Storage Temperature	-25°C~+80°C			
	Life time	> 50000h@Tc=85°C			
	Noise	≤20dB(A)@10cm			
Surface	Dimension	Φ42 x 21mm			
	material	PC			
Standards	Safety	GB19510. 1, GB19510. 14;IEC61347- 1, IEC61347-2- 13;EN62384			
	EMC	GB/T17743, GB17625. 1;EN55015, EN61000-3-2, EN61000-3-3, EN61547;EN61000-4-5			
	Energy Efficiency	Erp2.0 EU 2019/2020			

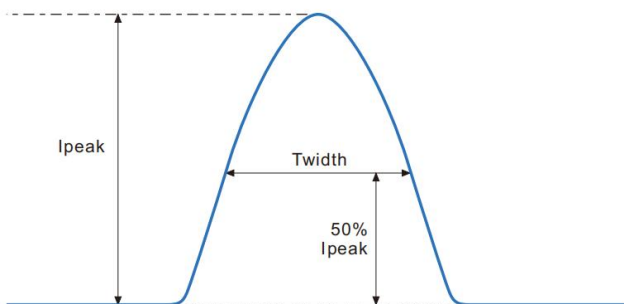
	RoHS	RoHS (2011/65/EU) (EU)2015/863
Note	<p>1.All parameters not specially mentioned are measured at 230VAC input , full load and 25°C of ambient temperature.</p> <p>2.Ripple &amp; Noise are measured at 20MHz of bandwidth by using a 300mm twisted pair-wire terminated with a 0.1uF &amp; 47 uF parallel capacitor.</p> <p>3.Switch and dimmer are not recommended to connect between this product output and luminaries.</p> <p>4.Surge capability (L/N-Ground) was measured with a metal plate 2-3mm underlay.</p> <p>5.All Eaglerise power supply are complied with EMI regulations. Since they are belong to component and will be installed inside system enclosure. When they are integrated into a system, the EMI characteristics of the system must be re-verified again.</p>	

### ◆ Model list

Number	Model number	Output			
		Current (mA)	Voltage (VDC)	Voltage No load (VDC)	Power (W)
1	CS-15-250 SI	250	27-42	59	10.5
2	CS-15-280 SI	280			11.8
3	CS-15-300 SI	300			12.6
4	CS-15-350 SI	350			14.7

### ◆ Inrush Current

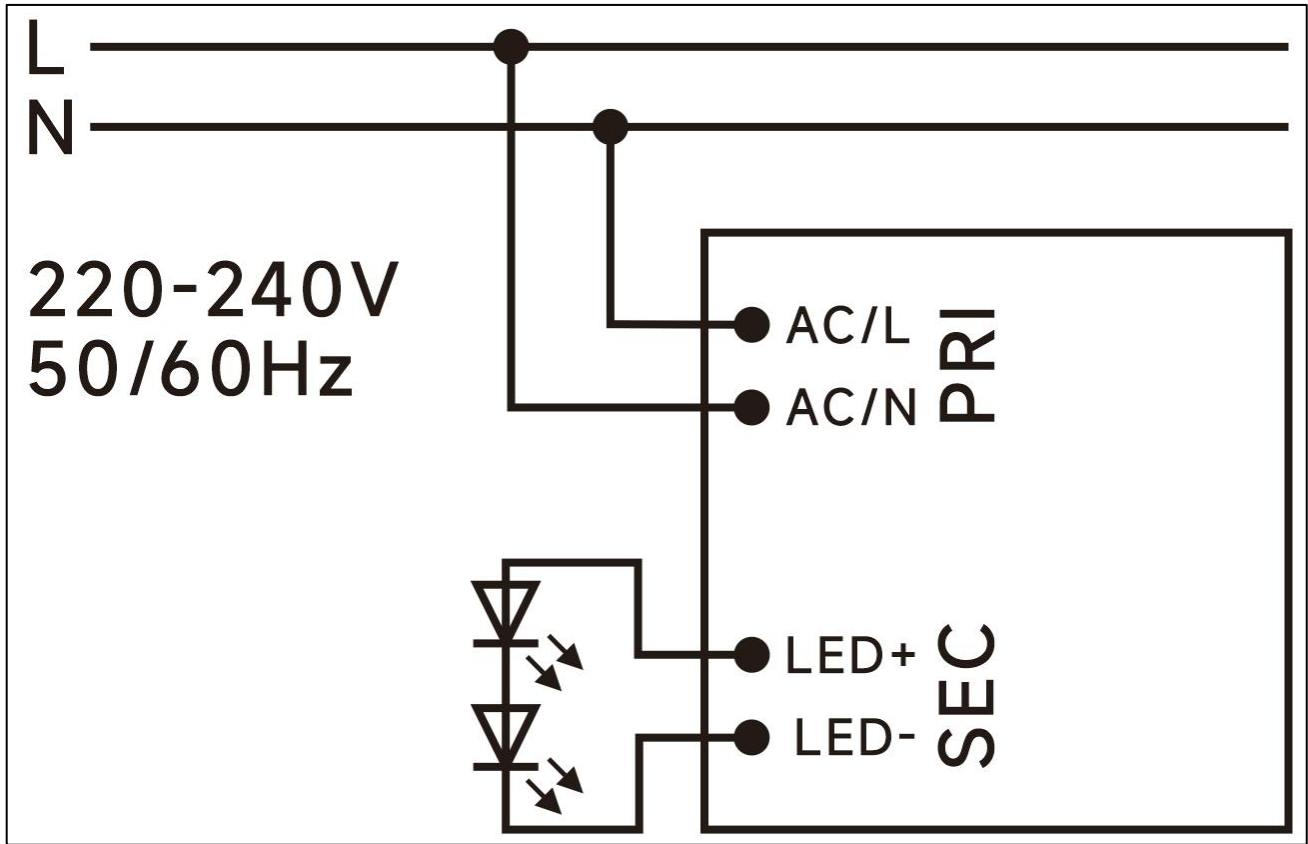
I <sub>peak</sub>	T <sub>width</sub>	B10	B16	B20	C10	C16	C20
8.12A	114µs	45pcs	73pcs	91pcs	45pcs	73pcs	91pcs



Remarks:

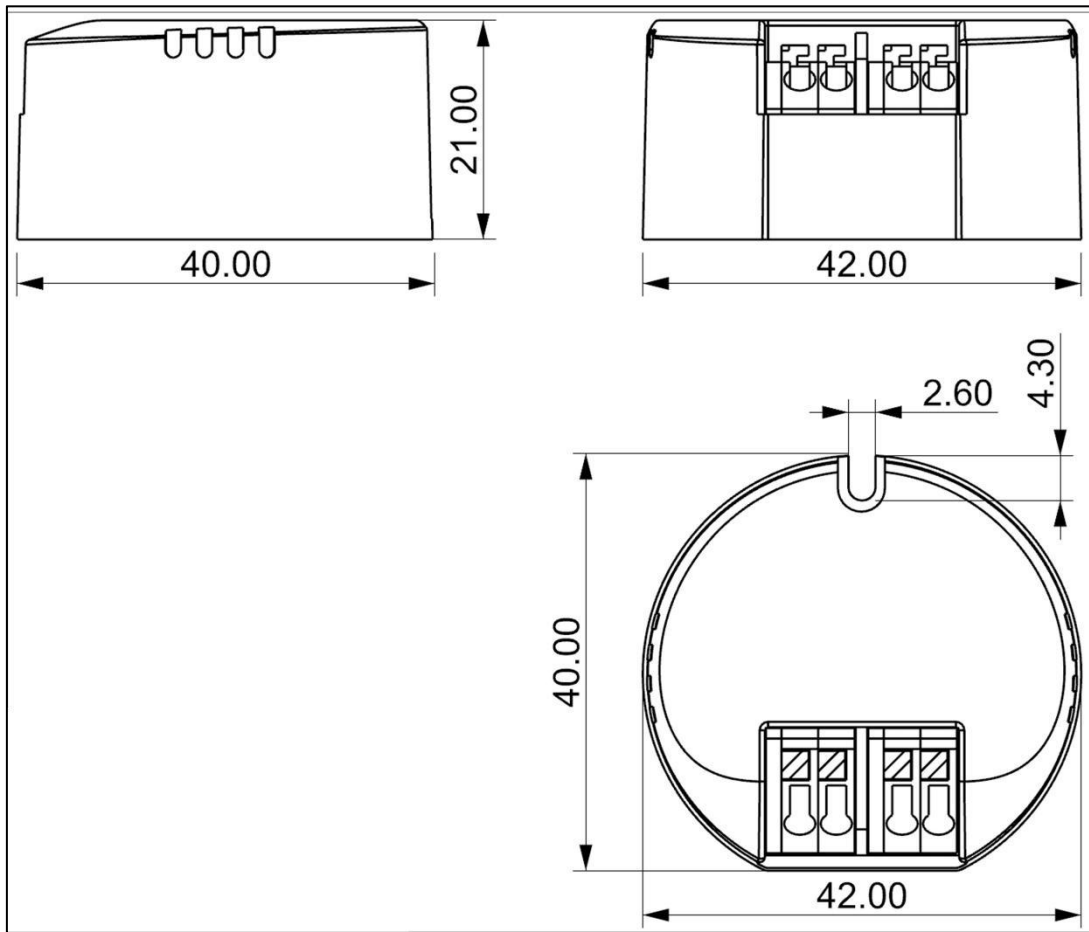
- 1.The number of drives mounted under different MCBs in the table is the maximum value. Please do not exceed this number during installation.
- 2.Different brands and models of miniature circuit breakers, the number of drives mounted will be slightly different.

◆ Wiring diagram

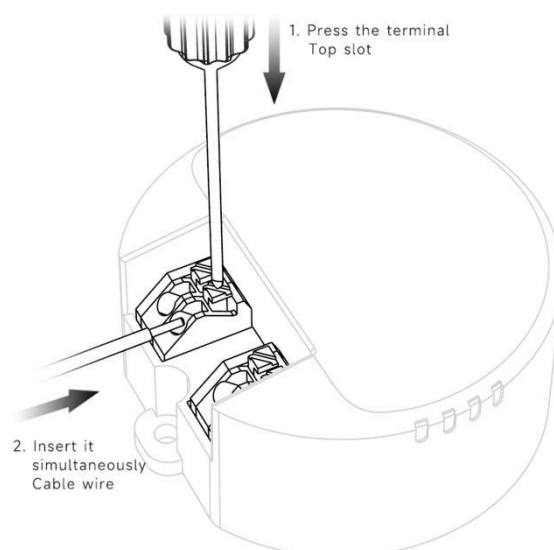


Preliminary

◆ 2D diagram



Termina



## ◆ Wiring & Connections

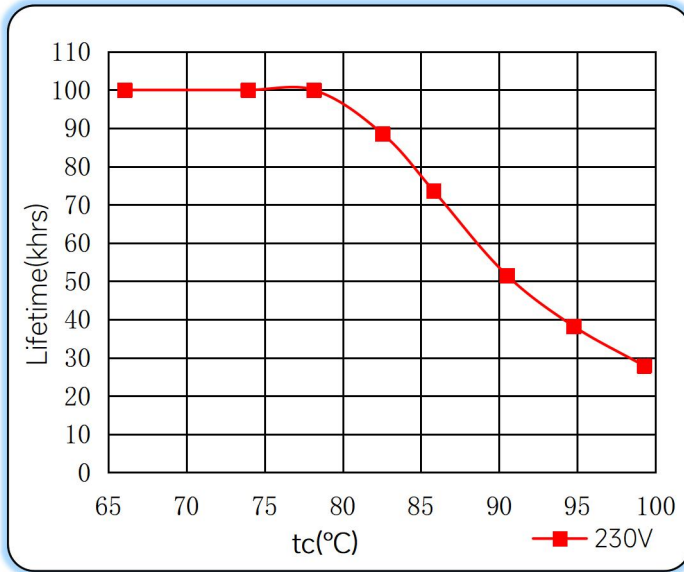
	Specification item	Value (Unit )
Input	Input wire cross-section	0.5...1.5 mm <sup>2</sup>
	Input wire gauge.	16...20 AWG
	Input wire strip length	7...9mm
Output	Output wire cross-section	0.5...1.5 mm <sup>2</sup>
	Output wire gauge.	16...20 AWG
	Output wire strip length	7...9mm

Note: Solid wire is risky to use on an angled terminal. Stranded wire is recommended for this kind of use.

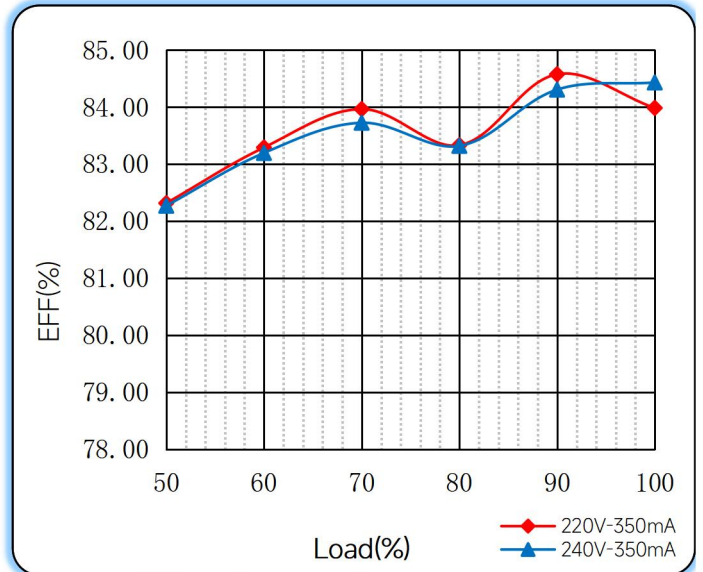
Preliminary

◆ Curve for CS-15-XXX SI, I<sub>o</sub>=350mA

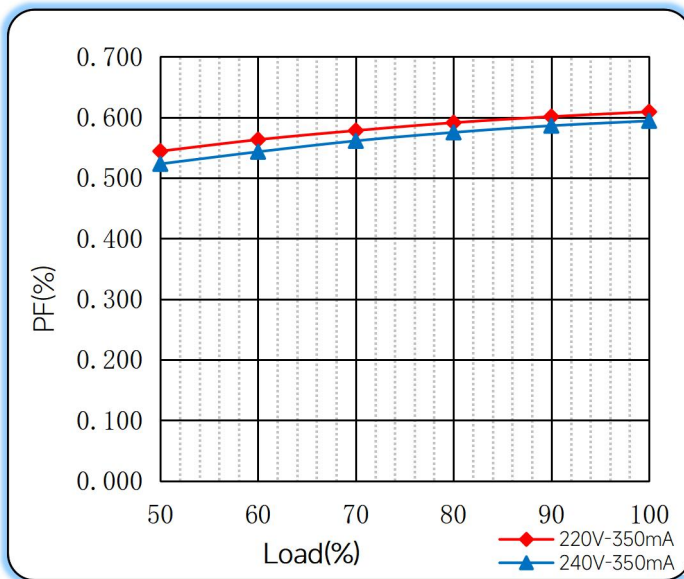
Lifetime vs. Temperature Curve



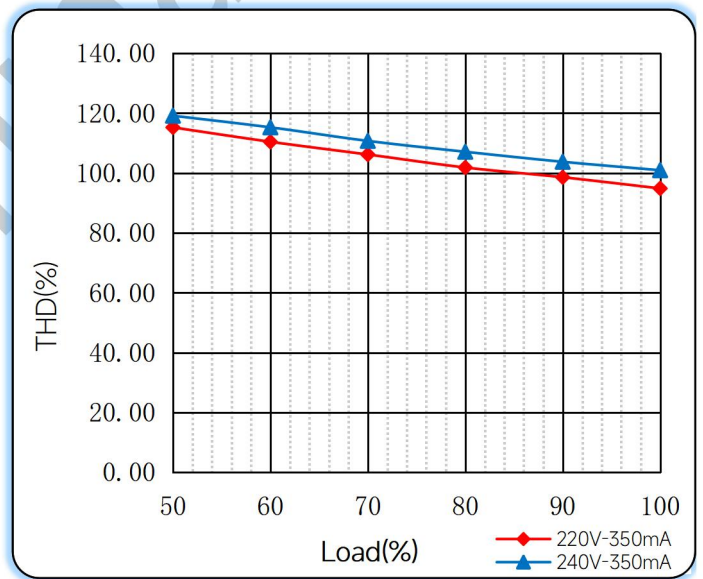
Efficiency vs. Load



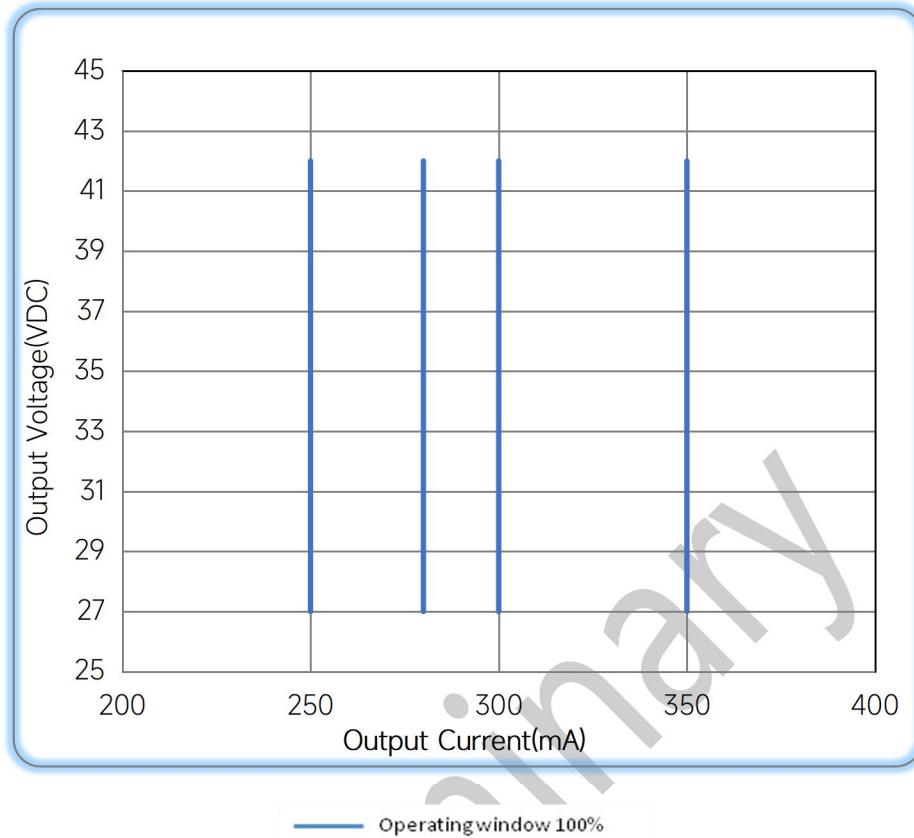
Power Factor Characteristics



THD vs. Load



### ◆ Operating window



### ◆ Revision Updates

ITEM	BEFORE	AFTER	VERSION	DATE
Initial			A	2023/07/12
Life time	> 50000h@Tc=90°C	> 50000h@Tc=85°C	B	2023/12/18
Ta/TC	60°C/90°C	70°C/100°C	C	2024/04/10

Remark: The final interpretation of the contents of the specification belongs to Eaglerise Electric & Electronic (China) Co., Ltd.

Tel: +86-0757-86256822, +86-0757-86256831

E-mail: sales@eaglerise.com

Website : <https://lighting.eaglerise.com>



EAGLERISE



Manual