

## DALI Tunable White Dimmer



■ Approve



### Features

- Complied with DALI protocol
- Brightness & color temperature adjustable
- Power save function
- Integrated bus power supply
- Protections: SCP/OLP/OVP

### Applications

- Conference rooms /Bar/Shop

### ◆ Description

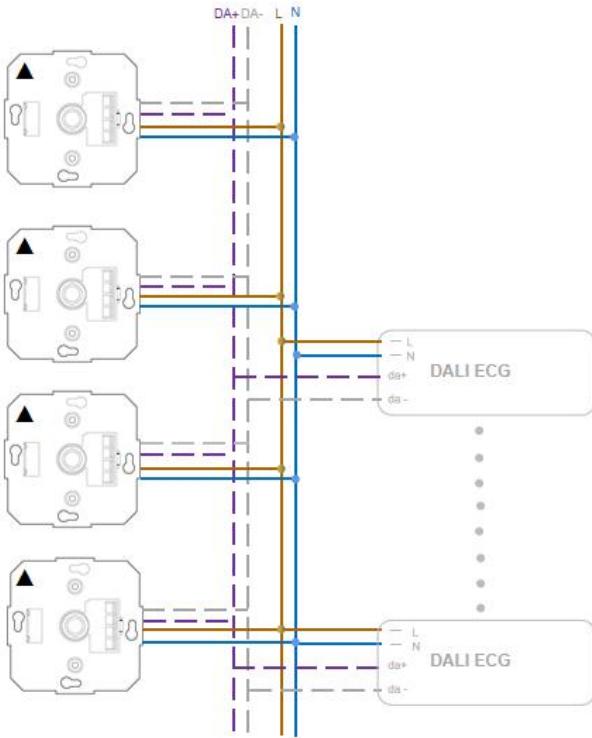
This device is a DALI tunable white dimmer with integrated bus power supply. It is able to adjust brightness of luminaires with standard DALI drivers and colour temperature of luminaires with tunable white drivers complied to DALI Device Type 8 (IEC 62386-209). This device enters active mode when connected to the mains voltage and passive mode without mains voltage. Up to 4 devices can be connected synchronously. If several devices are connected synchronously, the commands issued by the most recently used controller will apply. All other devices will receive these commands as well. Manual lighting control can be set up and used immediately without the need for any additional debugging or configuration. Support multiple DIMMER access to the same DALI bus at the same time, and each DIMMER has the function of reading bus command data, with synchronized brightness and color temperature.

## ◆ Specification

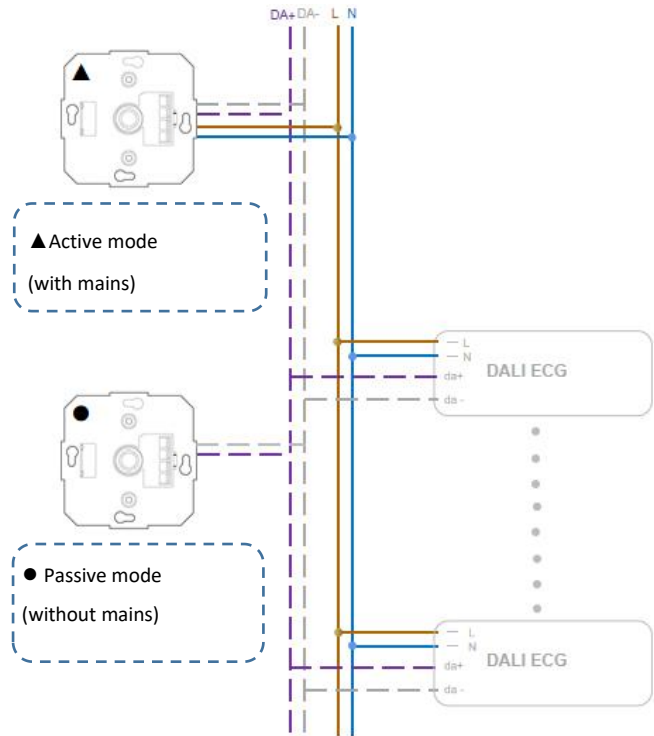
Input	Rated input voltage(VAC)	220-240VAC
	Range of input voltage(VAC)	198-264VAC
	Maximum power consumption	2W
	Frequency(Hz)	50/60 Hz
Output	Output Power	0.8W max. @16V * 50mA
Dimming	Dimmable	Yes
	Dimming interface	DALI-2 IEC62386-101,103,301,302
	Number of control outputs	1
	Color temperature range <sup>2</sup>	2,000...10,000K
	DALI connection	Max. 25 DALI ECGs / 50mA
	Maximum total length of signal line	300m
Environment	Operating Temperature	-20°C~+50°C
	Humidity	20%~90%RH
	Storage Temperature	-25°C~60°C
Surface	Dimension	Mounting plate (L x W): 71 x 71 mm
	Product weight	95.00 g
	Product color	White
Others	Permissible line cross section	0.75–2.5mm <sup>2</sup>
	wire strip length	5..6mm
	Type of protection	IP20
	Protection class	II
Note	1. All parameters NOT specially mentioned are measured at 230VAC input , full load and 25°C of ambient temperature. 2. Maximum color temperature setting range.	

## ◆ Wiring diagram

Scene 1: 4 active mode devices  
Up to 100 DALI ECGs can be controlled



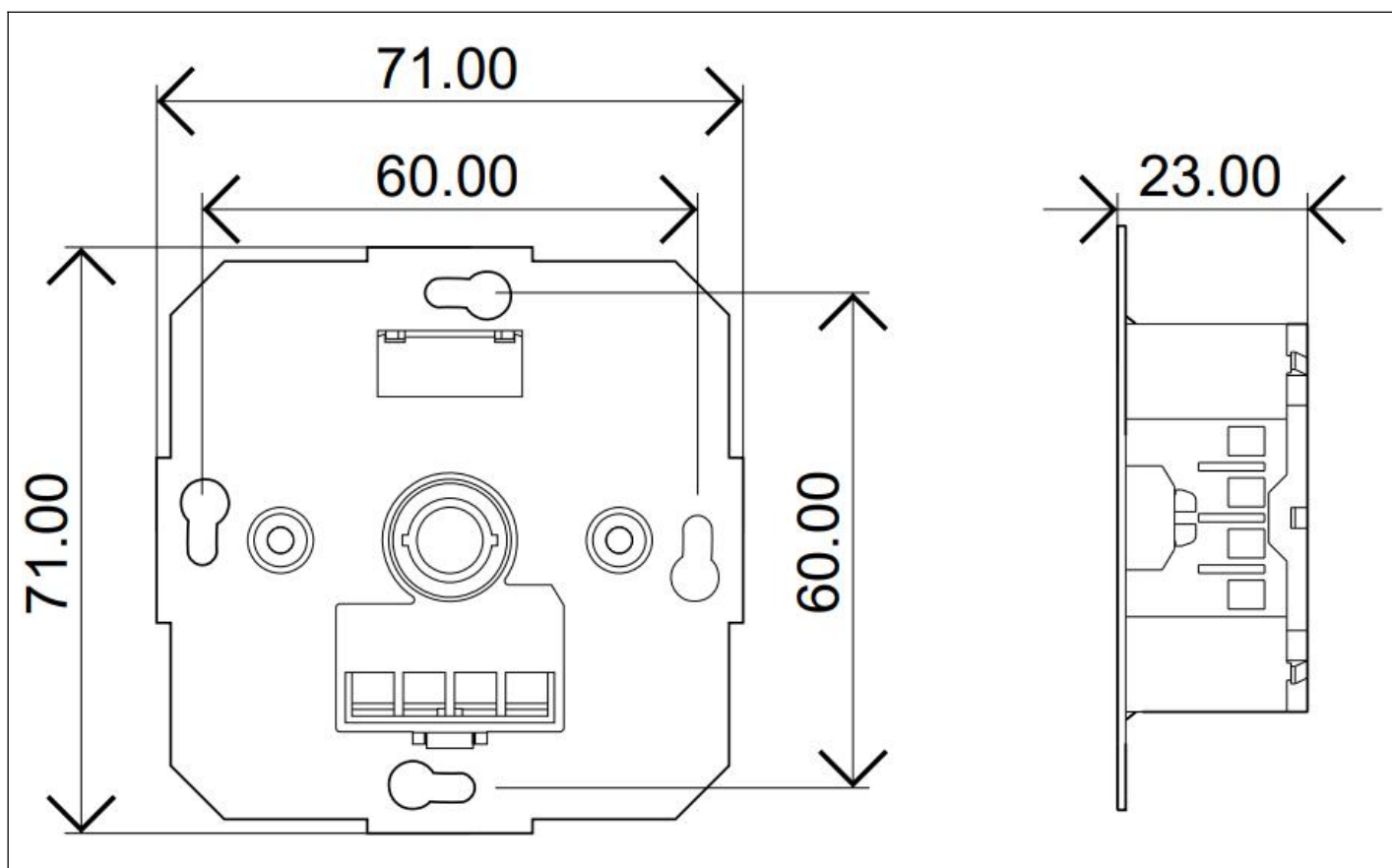
Scene 2: 1 active mode device and 1 passive mode devices  
Up to 25 DALI ECGs can be controlled



Every mains-powered DIMMER can supply 25 DALI ECGs  
and another non-mains-powered DIMMER

### Attention

1. The dimmer may be damaged if input voltage exceeds the rated voltage or frequency.
2. Only one dimmer can be connected to the mains when two dimmers are connected simultaneously.
3. DO NOT install with power applied to device.
4. DO NOT expose the device to moisture.

**◆ 2D diagram**

## ◆ Operation

### (1) Turn ON/OFF

- Press the rotary knob to turn ON/OFF light.

(needs to be done within 500mS)

### (2) Increase/Decrease brightness

- Turn ON the light

- Rotate knob clockwise to increase brightness from 0% to 100%. Rotate knob counterclockwise to decrease brightness from 100% to 0%.

### (3) Adjust color temperature

- Turn ON the light
- Keep knob pressed and rotate to adjust color temperature to the desired level.

Increasing the color temperature (= coldest color): Pressed and rotate knob clockwise.

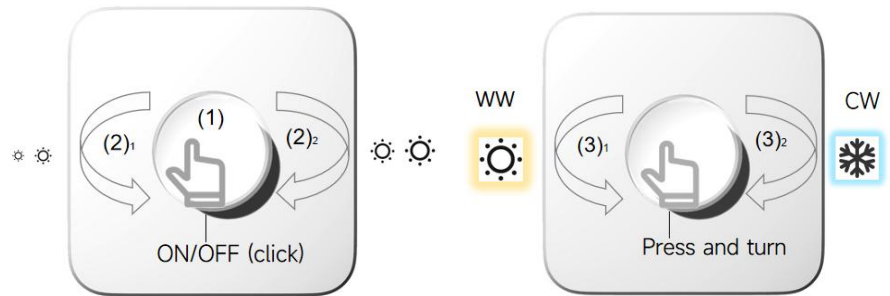
Decreasing the color temperature (= warmest color): Pressed and rotate knob counterclockwise.

### (4) Store a minimal brightness value

- Turn on the light
- Rotate knob to the desired brightness level
- Keep knob pressed for over 10s. The light will blink once and on again to indicate the current brightness value is saved as the minimal brightness value. The light will be dimmable from the saved minimum brightness value to 100%.

### (5) Reset the minimal brightness value \*

- Turn OFF the light
- Keep knob pressed for over 10s (without rotating). Lights will blink once and on again to indicate that the minimal brightness value is reset to factory default.



**(6) Set the highest color temperature thresholds (warmest color)**

- Turn ON the light
- Keep knob pressed and rotate counterclockwise to the desired color temperature.
- Keep knob pressed for over 10s (without rotating). Lights will blink three times and on again to indicate that the new threshold is saved.

**(7) Set the lowest color temperature thresholds (coldest color)**

- Turn ON the light
- Keep knob pressed and rotate clockwise to the desired color temperature
- Keep knob pressed for over 10s (without rotating). Lights blink three times and on again to indicate that the new threshold is stored.

**(8) Reset the color temperature thresholds\***

- Turn OFF the light
- Keep knob pressed for over 10s (without rotating). Lights will blink once and on again to indicate that color temperature thresholds and minimum brightness level is reset to factory default.

**(9) Set the On Brightness Threshold**

- Turn on the light knob to the desired brightness level.
- Double-click the knob (needs to be done within 500mS), the light blinks twice and on again, indicating successful setting.

**(10) Reset the brightness threshold**

- Turn the lamp knob to the desired brightness level and then turn off the lamp.

- Double-click the knob(needs to be done within 500mS) and the light reaches 100% brightness level, it means deletion is successful.

\*Reset the color temperature, delete the color temperature setting mode is the same as designing the brightness operation.

**◆ Revision Updates**

ITEM	BEFORE	AFTER	VERSION	DATE
Initial			A	2023/02/17
update			B	2023/11/07

Tel: +86-0757-86256822, +86-0757-86256831

E-mail: sales@eaglerise.com

Website : <https://lighting.eaglerise.com>



EAGLERISE



Manual