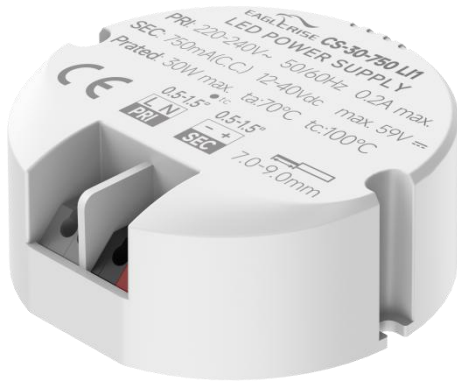


30W Constant Current power supply



■ Approve



Features

- For luminaries of protection Class II, SELV, Built-in
- Input Voltage: 220-240VAC
- Protections: SCP/OLP/OVP/OTP
- Power Factor: ≥ 0.95
- Efficiency: 89%
- 5 years warranty
- IP20

Applications

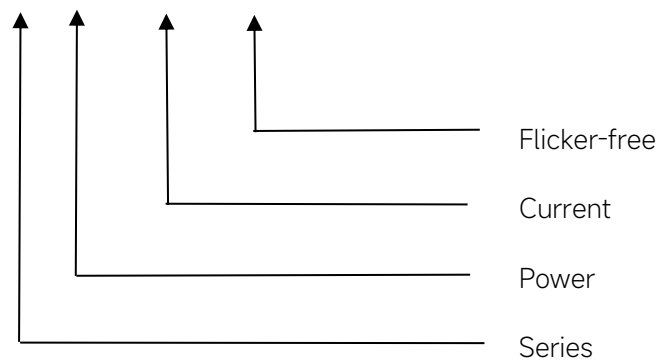
- LED panel, LED ceiling light

◆ Description

CS-30-XXX LI1 is a 30W constant current LED driver with 600 to 750mA output current a forward voltage range from 12 to 42 Vdc. With it's compact dimensions from $\Phi 65 \times 25 \text{mm}$. It is easy to integrate in LED Panel, spot and ceiling lights product. To ensure trouble-free operation, protection is provided against output short circuit and over Load.

◆ Model code

CS-30-XXX LI1



◆ Specification

Output	Constant Current (mA)	600	650	700	750
	Voltage Range(VDC)	12-42			12-40
	Unload voltage Max.	59VDC			
	Current Accuracy	±5%			
	Output HF current ripple(≥1KHz)	±5%			
	Output LF current ripple(≤120Hz)	±5%			
	SVM	≤0.4			
	Pst	≤1			
	Efficiency(Typ.)	89%			
Input	Rated input voltage	220-240VAC			
	Range of input voltage	198-264VAC			
	Maximum voltage	300VAC@1 h maximum,unit might not operate in this abnormal condition			
	Frequency(Hz)	50/60 Hz			
	Displacement factor	≥0.9			
	Power Factor	≥0.95			
	Input Current max (mA)	0.2A			
	Start-up time	< 0.5S			
	No Load Power	≤0.5W			
	THD (Typ.)	<10%			
Protection	Over Load Protection	103-140% YES/Auto Resume			
	Over Voltage Protection	59VDC YES/Auto Resume			
	Short circuit Protection	YES/Auto Resume			
capability	Surge capability (L-N)	2KV			
Environment	Operating Temperature	-20°C~+70°C			
	Humidity	20%-90%RH			
	Tc	100°C			
	Storage Temperature	-25°C~+80°C			
	Life time	> 50000h@Tc=85°C			
	Noise	≤25dB(A)@10cm			
Surface	Dimension	Φ65 x25mm			
	material	PC			
Standards	Safety	GB19510. 1, GB19510. 14;IEC61347- 1, IEC61347-2- 13;EN62384			
	EMC	GB/T17743, GB17625. 1;EN55015, EN61000-3-2, EN61000-3-3, EN61547;EN61000-4-5			
	Energy Efficiency	Erp2.0 EU 2019/2020			

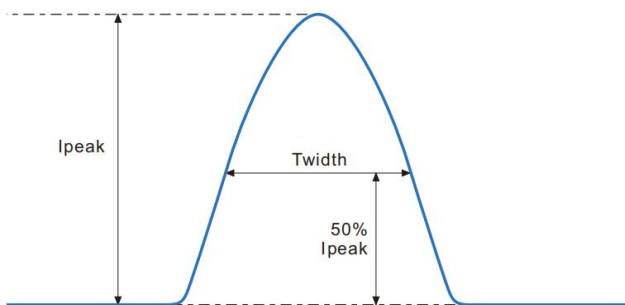
	RoHS	RoHS (2011/65/EU) (EU)2015/863
Note	<p>1.All parameters not specially mentioned are measured at 230VAC input , full load and 25°C of ambient temperature.</p> <p>2.Ripple & Noise are measured at 20MHz of bandwidth by using a 300mm twisted pair-wire terminated with a 0.1uF & 47 uF parallel capacitor.</p> <p>3.Switch and dimmer are not recommended to connect between this product output and luminaries.</p> <p>4.The over-temperature protection of the product is provided by the IC.</p> <p>5.All Eaglerise power supply are complied with EMI regulations. Since they are belong to component and will be installed inside system enclosure. When they are integrated into a system, the EMI characteristics of the system must be re-verified again.</p>	

◆ Model list

Number	Model number	Output			
		Current (mA)	Voltage (VDC)	Voltage No load (VDC)	Power (W)
1	CS-30-600 LI1	600	12-42	59	25.2
2	CS-30-650 LI1	650			27.3
3	CS-30-700 LI1	700			29.4
4	CS-30-750 LI1	750	12-40		30

◆ Inrush Current

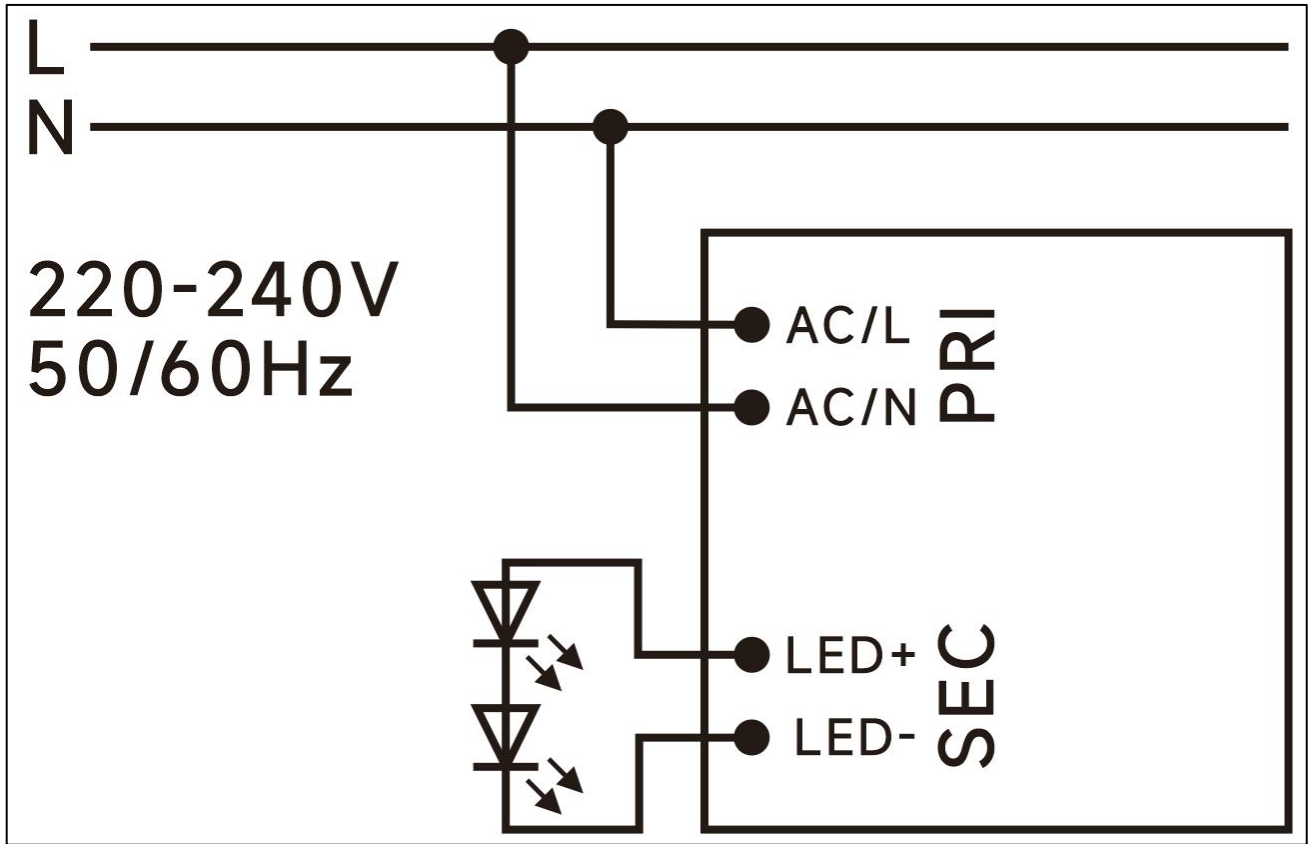
I _{peak}	T _{width}	B10	B16	B20	C10	C16	C20
17.7A	122μs	39pcs	62pcs	78pcs	40pcs	64pcs	80pcs



Remarks:

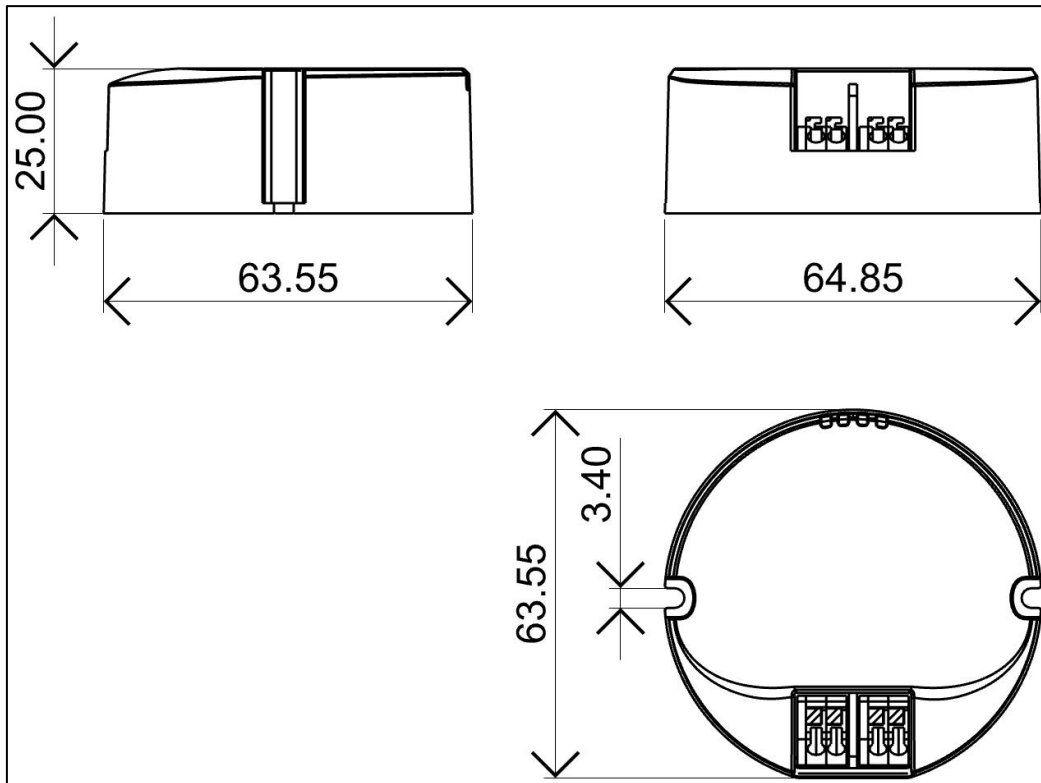
- 1.The number of drives mounted under different MCBs in the table is the maximum value. Please do not exceed this number during installation.
- 2.Different brands and models of miniature circuit breakers, the number of drives mounted will be slightly different.

◆ Wiring diagram

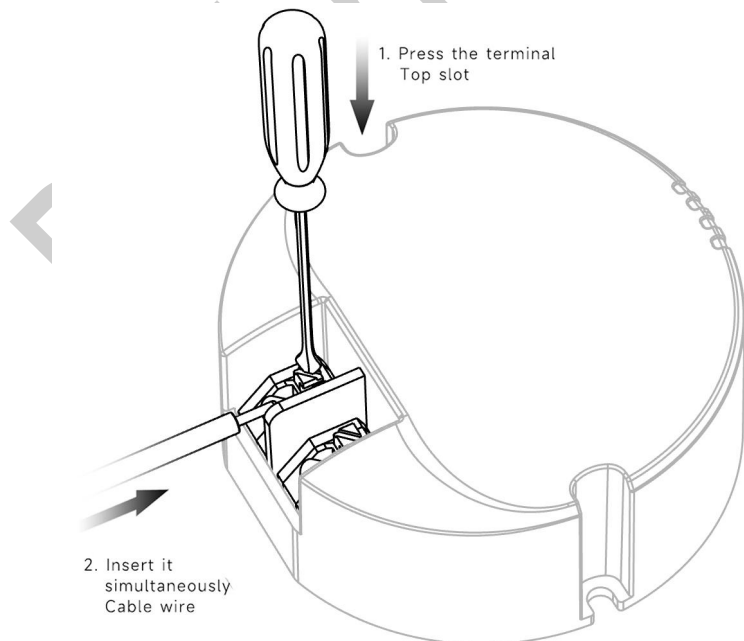


Preliminary

◆ 2D diagram



Terminal



◆ Wiring & Connections

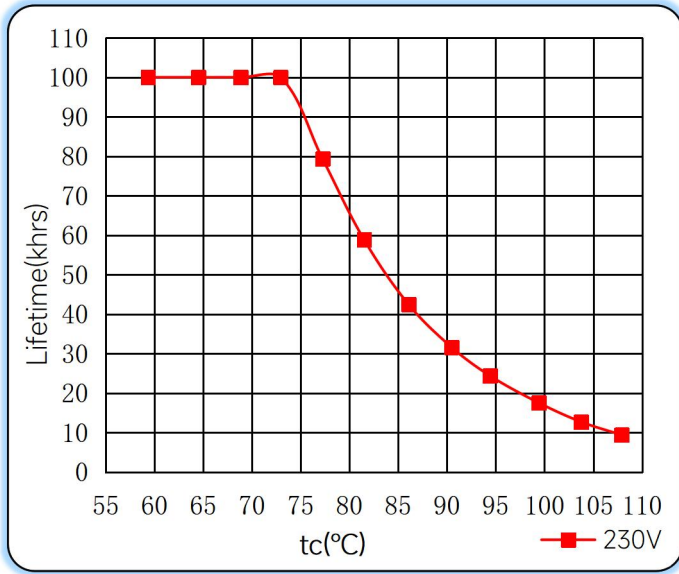
	Specification item	Value (Unit)
Input	Input wire cross-section	0.5...1.5 mm ²
	Input wire gauge.	16...20 AWG
	Input wire strip length	7...9mm
Output	Output wire cross-section	0.5...1.5 mm ²
	Output wire gauge.	16...20 AWG
	Output wire strip length	7...9mm

Note: Solid wire is risky to use on an angled terminal. Stranded wire is recommended for this kind of use.

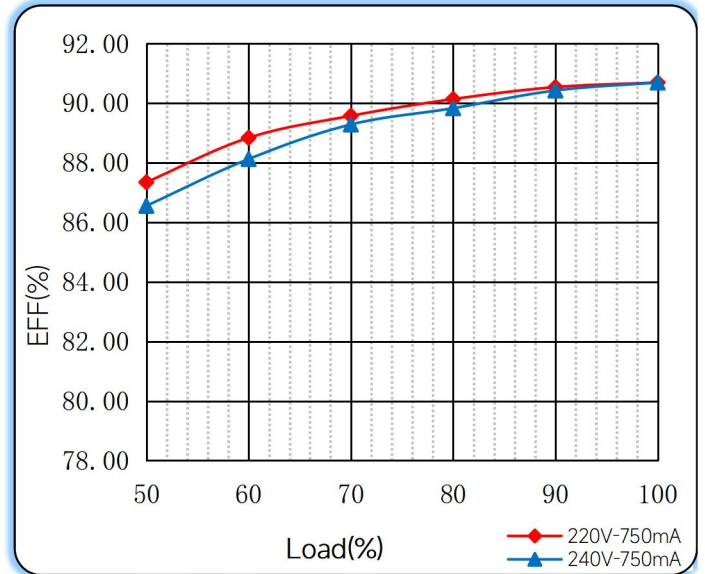
Preliminary

◆ **Curve for CS-30-700 LI1, I_o=750mA**

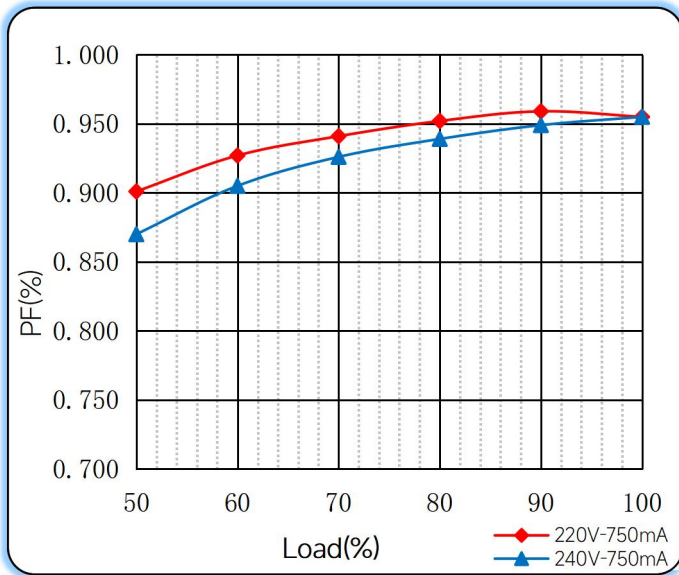
Lifetime vs. Temperature Curve



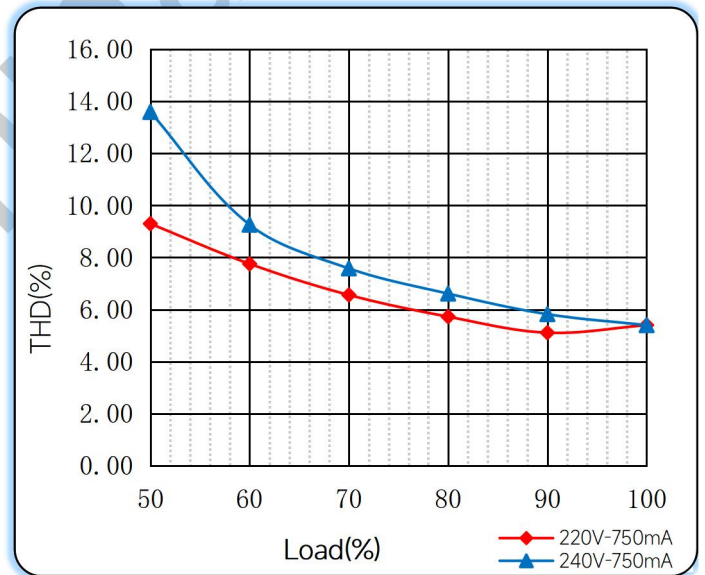
Efficiency vs. Load



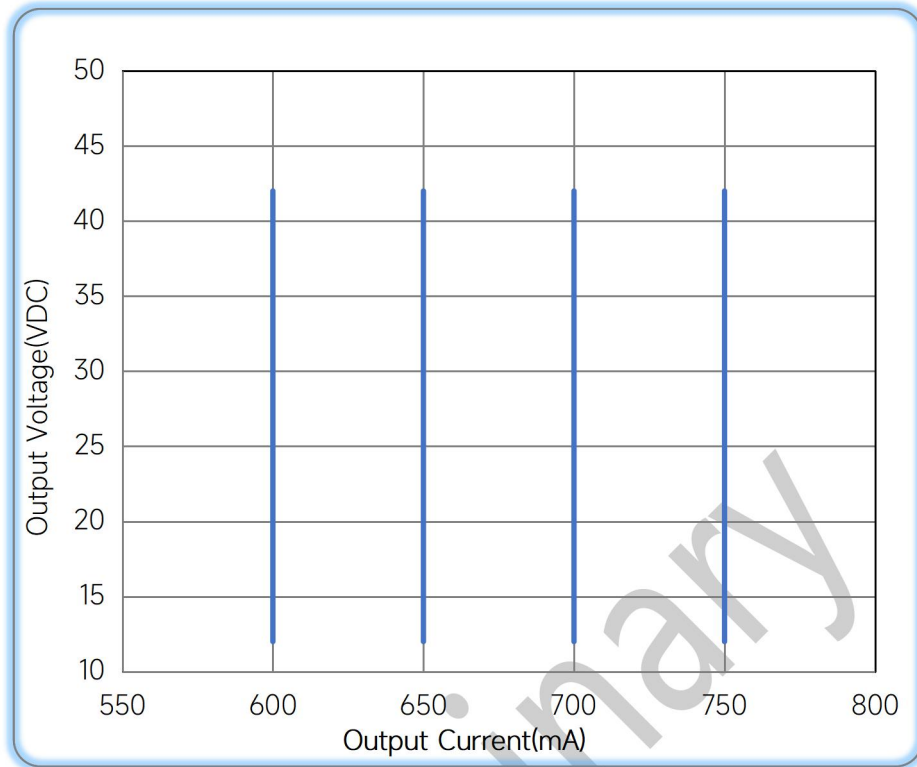
Power Factor Characteristics



THD vs. Load



◆ **Operating window**



— Operating window 100%

◆ **Revision Updates**

ITEM	BEFORE	AFTER	VERSION	DATE
Initial			A	2024/06/05
		Update	B	2024/07/02

Remark: The final interpretation of the contents of the specification belongs to Eaglerise Electric & Electronic (China) Co., Ltd.

Tel: +86-0757-86256822, +86-0757-86256831

E-mail: sales@eaglerise.com

Website : <https://lighting.eaglerise.com>



EAGLERISE



Manual