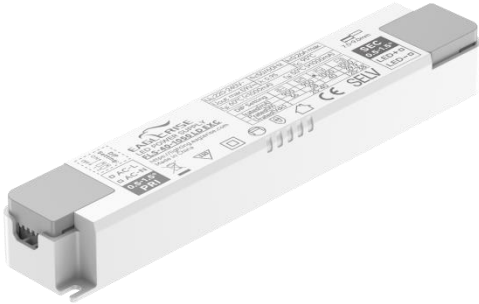


40W Constant Current power supply



Features

- Class II, SELV, Independent
- Input Voltage: 220-240VAC
- Protections: SCP/OVP/OTP
- Power Factor: >0.95
- Efficiency: >90%
- 5 years warranty
- IP20

Applications

- LED panel, LED down light
- LED spot light

■ Approve

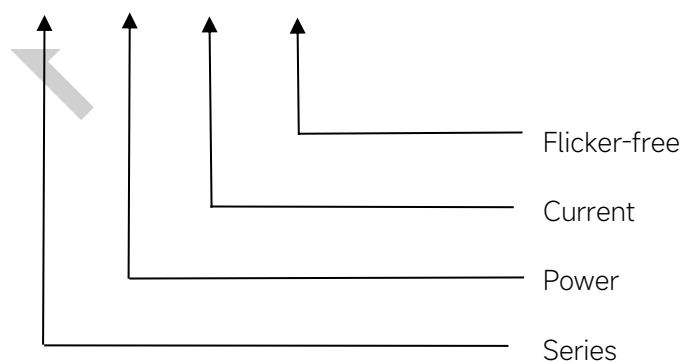


◆ Description

FLS-40-1050 LD EXC is a 40W constant current LED driver with 900 to 1050mA output current. With its compact dimensions from 163 x 30 x 21mm. It is easy to integrate in LED Panel, spot and down lights product.

◆ Model code

FLS-40-1050 LD EXC



◆ Specification

	Constant Current (mA)	900mA	950mA	1000mA	1050mA
Output	Voltage Range(VDC)	25-40VDC			25-38VDC
	Unload voltage Max.	59VDC			
	Current Accuracy	±5%			
	Output HF current ripple(≥1KHz)	±5%			
	Output LF current ripple(≤120Hz)	±5%			
	SVM	≤0.4			
	Pst	≤1			
	Efficiency(Typ.)	>90%@Full load,230V			
	Input	Rated input voltage	220-240VAC		
Range of input voltage		198-264VAC			
Maximum voltage		300VAC@1 h maximum,unit might not operate in this abnormal condition			
Frequency(Hz)		50/60 Hz			
Power Factor		>0.95@Full load,230V			
Input Current max (mA)		260mA			
Start-up time		<0.5S			
No Load Power		≤0.5W			
THD (Typ.)		<10%@Full load,230V			
Protection	Over Voltage Protection	59VDC YES/Auto Resume			
	Short circuit Protection	YES/Auto Resume			
	Over Temperature Protection	YES/Auto Resume			
Capability	Surge capability (L-N)	1KV			
	Surge capability (L/N-Ground)	NA			
Environment	Operating Temperature	-20°C~+60°C		-20°C~+50°C	
	Humidity	20%-90%RH			
	Tc	95°C			
	Storage Temperature	-25°C~+60°C			
	Life time	> 50000h@Tc=85°C			
	Noise	≤20dB(A)@10cm			
Surface	Dimension	163X30X21(LXWXH)mm			
	material	PC			
Standards	Safety	IEC61347- 1, IEC61347-2- 13;EN61347- 1, EN61347-2- 13;EN61347- 1,			
	EMC	EN55015, EN61000-3-2, EN61000-3-3,			
	ErP	ErP2.0 EU 2019/2020			
	RoHS	RoHS (2011/65/EU) (EU)2015/863			

Note	<p>1.All parameters not specially mentioned are measured at 230VAC input , full load and 25°C of ambient temperature.</p> <p>2.Ripple & Noise are measured at 20MHz of bandwidth by using a 300mm twisted pair-wire terminated with a 0.1uF & 47 uF parallel capacitor.</p> <p>3.Switch and dimmer are not recommended to connect between this product output and luminaries.</p>
------	---

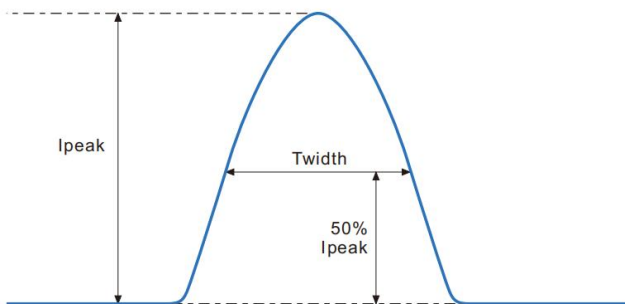
◆ Parameter

Number	Output				Switch position	
	Current (mA)	Voltage (VDC)	Voltage No load (VDC)	Power (W)	1	2
1	900	25-40VDC	59	36	--	--
2	950			38	ON	--
3	1000			40	--	ON
*4	1050	25-38VDC		39.9	ON	ON

* Factory default

◆ Inrush Current

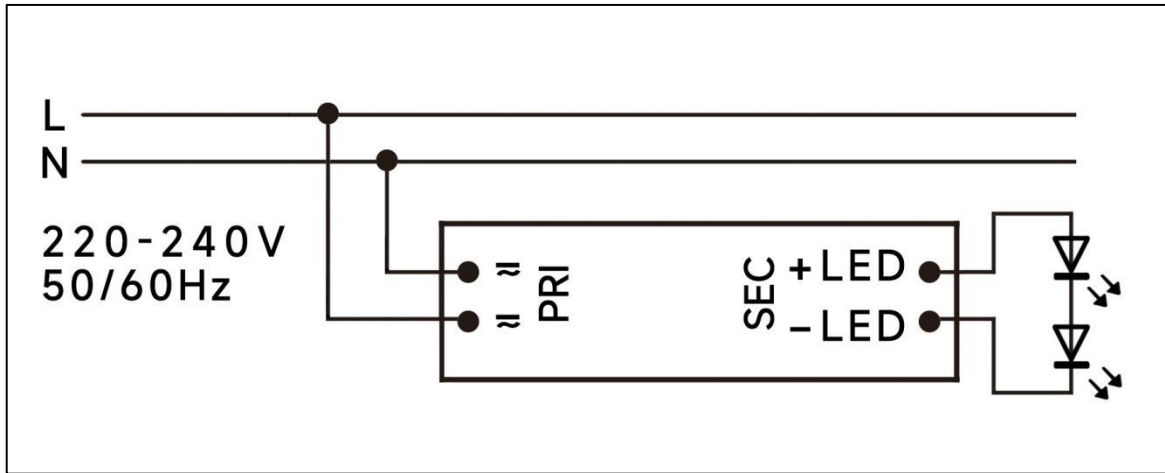
I _{peak}	T _{width}	B10	B16	B20	C10	C16	C20
26.3A	122μs	26pcs	42pcs	52pcs	30pcs	49pcs	61pcs



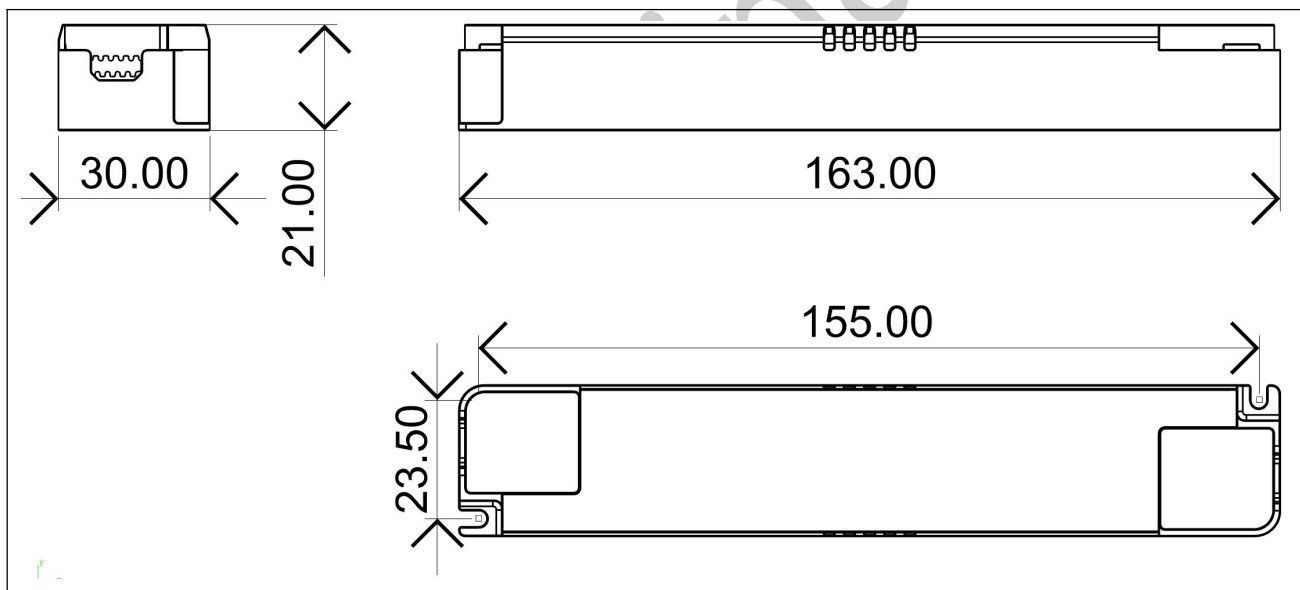
Remarks:

- 1.The number of drives mounted under different MCBs in the table is the maximum value. Please do not exceed this number during installation.
- 2.Different brands and models of miniature circuit breakers, the number of drives mounted will be slightly different.

◆ **Wiring diagram**



◆ **2D diagram**



◆ Wiring & Connections

	Specification item	Value (Unit)
Input	Input wire cross-section	0.5...1.5 mm ²
	Input wire gauge.	16...20 AWG
	Input wire strip length	7...9mm
Output	Output wire cross-section	0.5...1.5 mm ²
	Output wire gauge.	16...20 AWG
	Output wire strip length	7...9mm

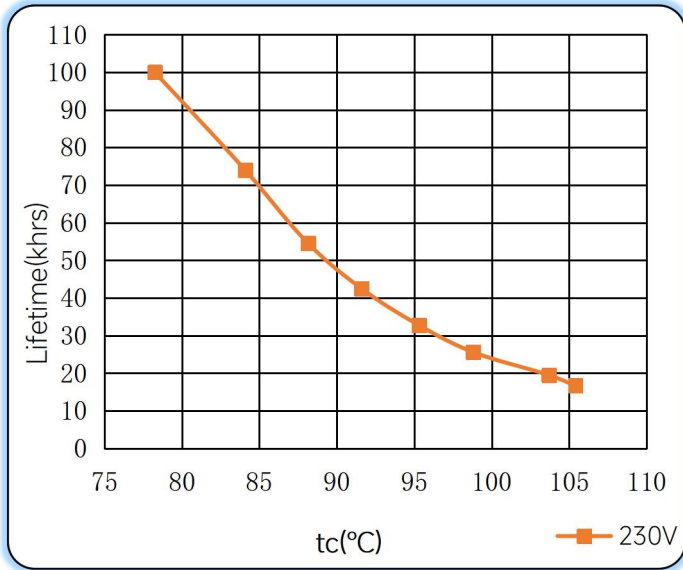
◆ Recommended wire

Wire cross-section	Wire type
2*0.5mm ²	H03VVH2-F 2core
2*0.75mm ²	H03VVH2-F 2core
1.5mm ²	CCC 08(RV-90)
16AWG(1.25mm ²)	UL1015

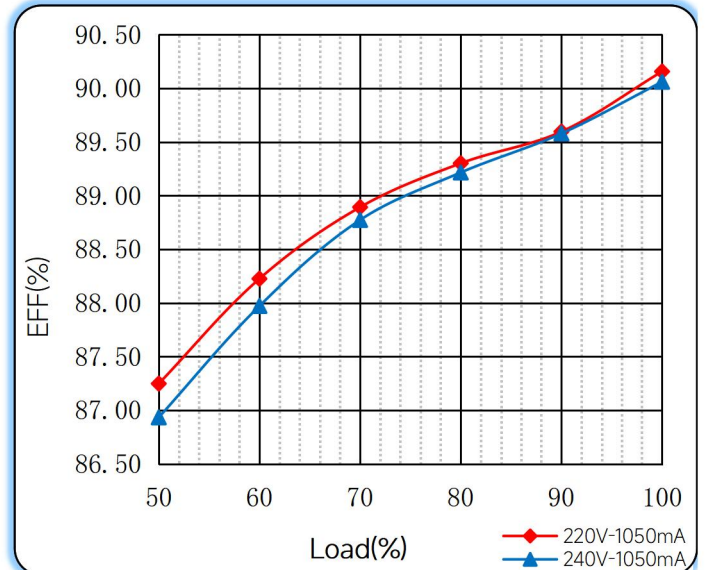
Note: Solid wire is risky to use on an angled terminal. Stranded wire is recommended for this kind of use.

◆ **Curve for FLS-40-1050 LD EXC, I_o=1050mA**

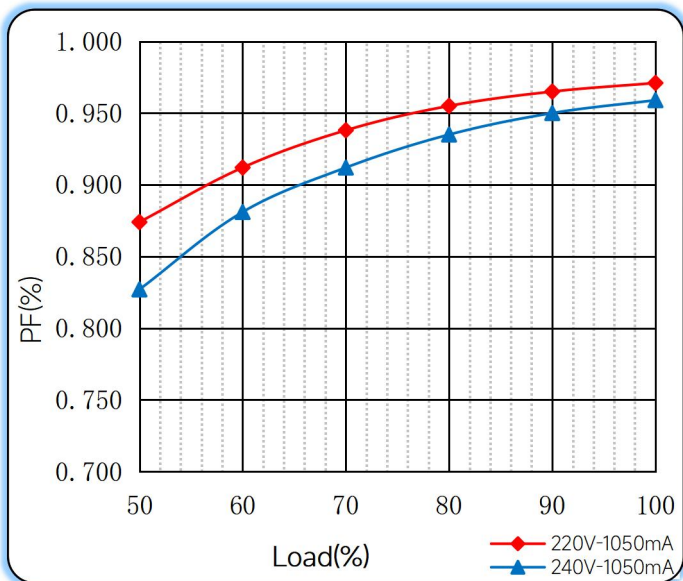
Lifetime vs. Temperature Curve



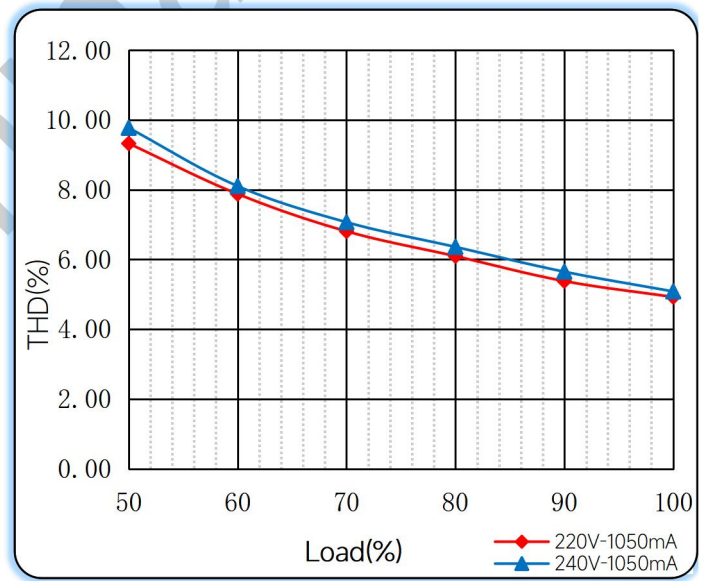
Efficiency vs. Load



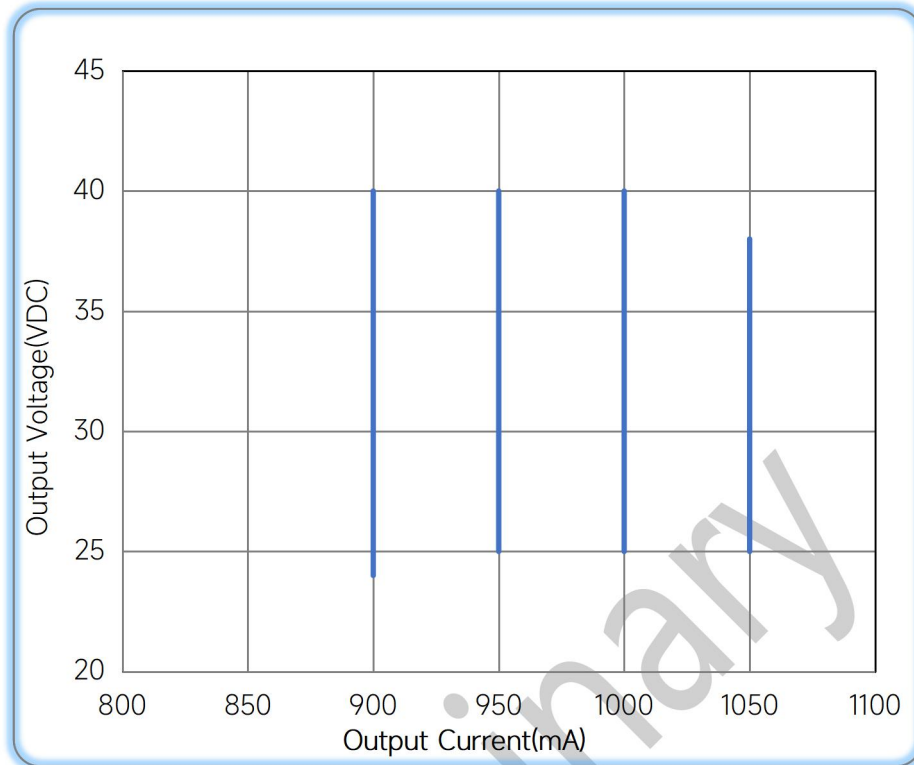
Power Factor Characteristics



THD vs. Load



◆ **Operating window**



— Operating window 100%

◆ **Revision Updates**

ITEM	BEFORE	AFTER	VERSION	DATE
Initial			A	2023/04/03
Ta/Tc	45°C/80°C	50°C@900-950mA 60°C@1000-1050mA /90°C	B	2023/12/14
Tc	90°C	95°C	C	2024/06/14

Remark: The final interpretation of the contents of the specification belongs to Eaglerise Electric & Electronic (China) Co., Ltd.

Tel: +86-0757-86256822, +86-0757-86256831

E-mail: sales@eaglerise.com

Website : <https://lighting.eaglerise.com>

