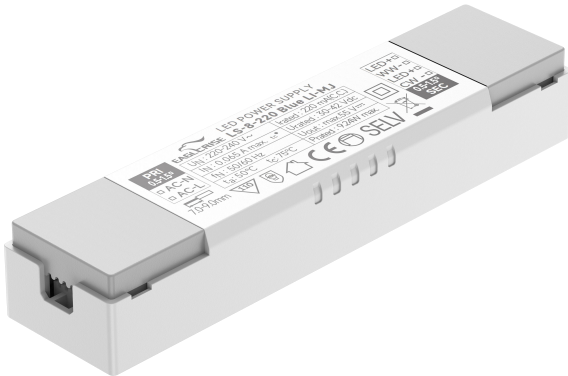


8W Bluetooth Dimming power supply



■ Approve



Features

- Class II, SELV, independent
- Input Voltage: 220-240VAC
- Protections: SCP/OLP/OVP
- Power Factor: > 0.9C
- Efficiency: ≥80%
- 5 years warranty
- IP20

Applications

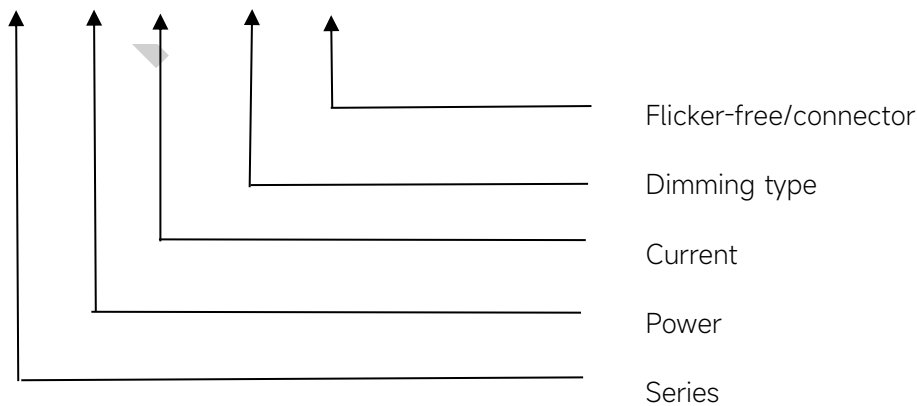
LED panel

◆ Description

LS-8-XXX Blue LI-MJ is a 8W constant current LED driver that operates from 198-264Vac input with 120-220mA output current and a forward voltage range from 30 to 42Vdc. With it's compact dimensions from 126 x 30 x 20.5 mm it is easy to integrate in LED panel products. To ensure trouble-free operation, protection is provided against output short circuit and over Load.

◆ Model cod

LS-8-XXX Blue LI-MJ



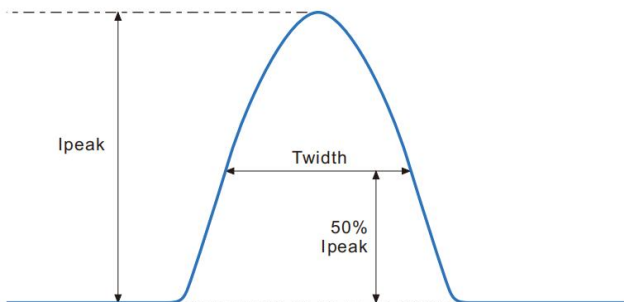
◆ Specification

	Constant Current (mA)	120mA	160mA	220mA
Output	Voltage Range(VDC)	30-42VDC		
	Unload voltage Max.(VDC)	55VDC		
	Current Accuracy	±5%		
	Output HF current ripple(≥1KHz)	≤±5%		
	Output LF current ripple(≤120Hz)	≤±3%		
	SVM	≤0.4		
	Pst	≤1		
	Efficiency(Typ.)	80%@220-240VAC, full load		
	Input	Rated input voltage(VAC)	220-240VAC	
Range of input voltage(VAC)		198-264VAC		
Maximum voltage		300VAC@1 h maximum,unit might not operate in this abnormal condition		
Frequency(Hz)		50/60 Hz		
Displacement factor		≥0.9@220-240VAC, full load		
Power Factor		≥0.9C@220-240VAC, full load		
Input Current max		0.037A Max.	0.048A Max.	0.065A Max.
Start-up time		< 0.5S		
No Load Power		≤0.5W		
Standby Power		≤0.5W		
Network standby power		≤0.5W		
THD (Typ.)		<15%@220-240VAC, full load		
Dimming		Dimming	YES	
	Dimming mode	Bluetooth		
	Dimming depth	10%		
	Dimming current range	10-100%		
Protection	Over Load Protection	103-120%		
	Over Voltage Protection	YES/Auto Resume		
		>55VDC		
	Short circuit Protection	YES/Auto Resume		
Over Temperature Protection	YES/Auto Resume			
Environment	Operating Temperature	-20°C...+50°C		
	Humidity	20%-90%RH		
	Tc	75°C		
	Storage Temperature	-20°C...+80°C		
	Life time	> 50,000h@Tc=75°C,230VAC		
Surface	Dimension	126X30X20.5(LXWXH)mm		
Standards	Safety	GB19510. 1, GB19510. 14,EN61347- 1, EN61347-2- 13		

	EMC	GB/T17743, GB17625. 1,EN55015, EN61000-3-2, EN61000-3-3, EN61547,EN55015, EN61000-3-2, EN61000-3-3, EN61547
	Energy Efficiency	Erp2.0 EU 2019/2020
	RoHS	RoHS (2011/65/EU) (EU)2015/863
Note	<p>1.All parameters NOT specially mentioned are measured at 230VAC input , full load and 25°C of ambient temperature.</p> <p>2.Ripple & Noise are measured at 20MHz of bandwidth by using a 300mm twisted pair-wire terminated with a 0.1uF & 47 uF parallel capacitor.</p> <p>3.Switch and dimmer are not recommended to connect between this product output and luminaries.</p> <p>4.All Eaglerise power supply are complied with EMI regulations. Since they are belong to component and will be installed inside system enclosure. When they are integrated into a system, the EMI characteristics of the system must be re-verified again.</p>	

◆ Inrush Current

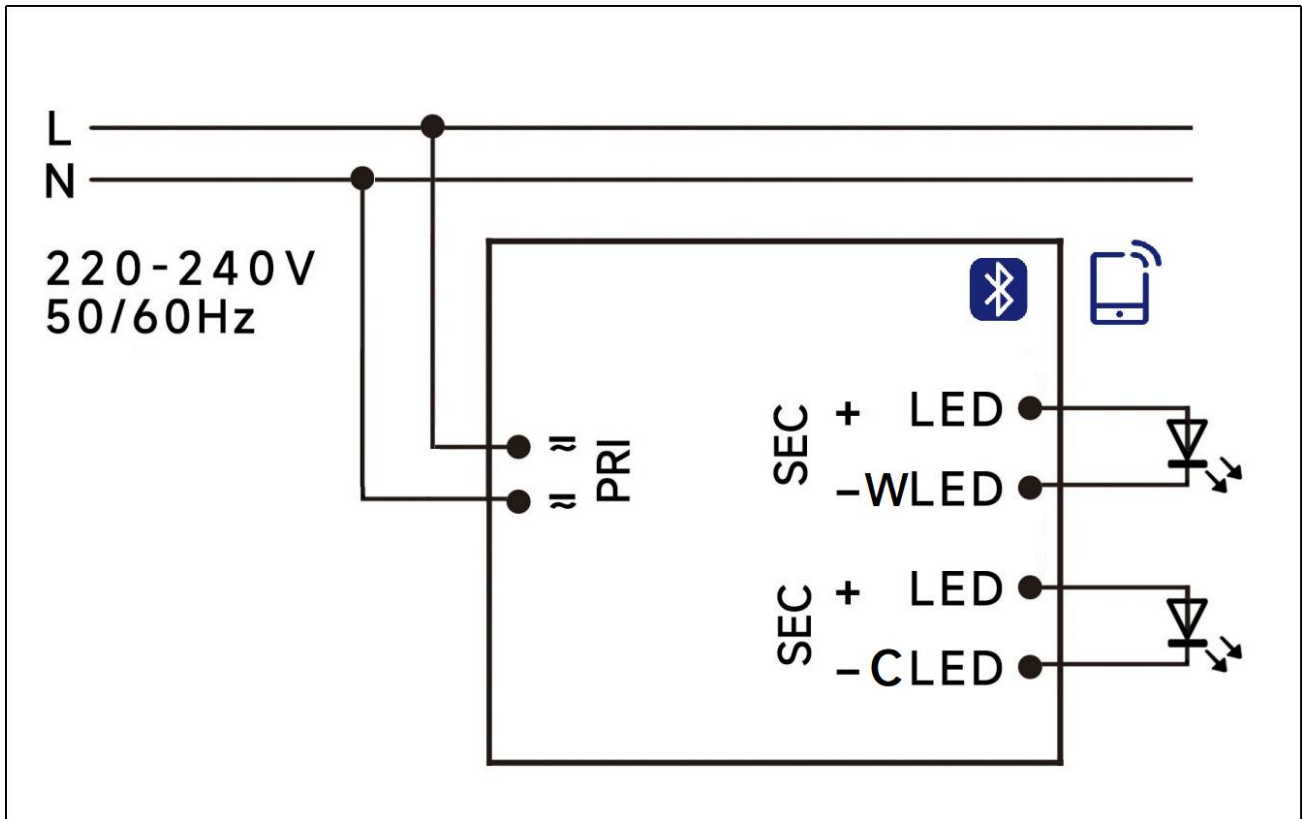
I _{peak}	T _{width}	B10	B16	B20	C10	C16	C20
2.3A	44μs	123pcs	195pcs	246pcs	123pcs	195pcs	246pcs



Remarks:

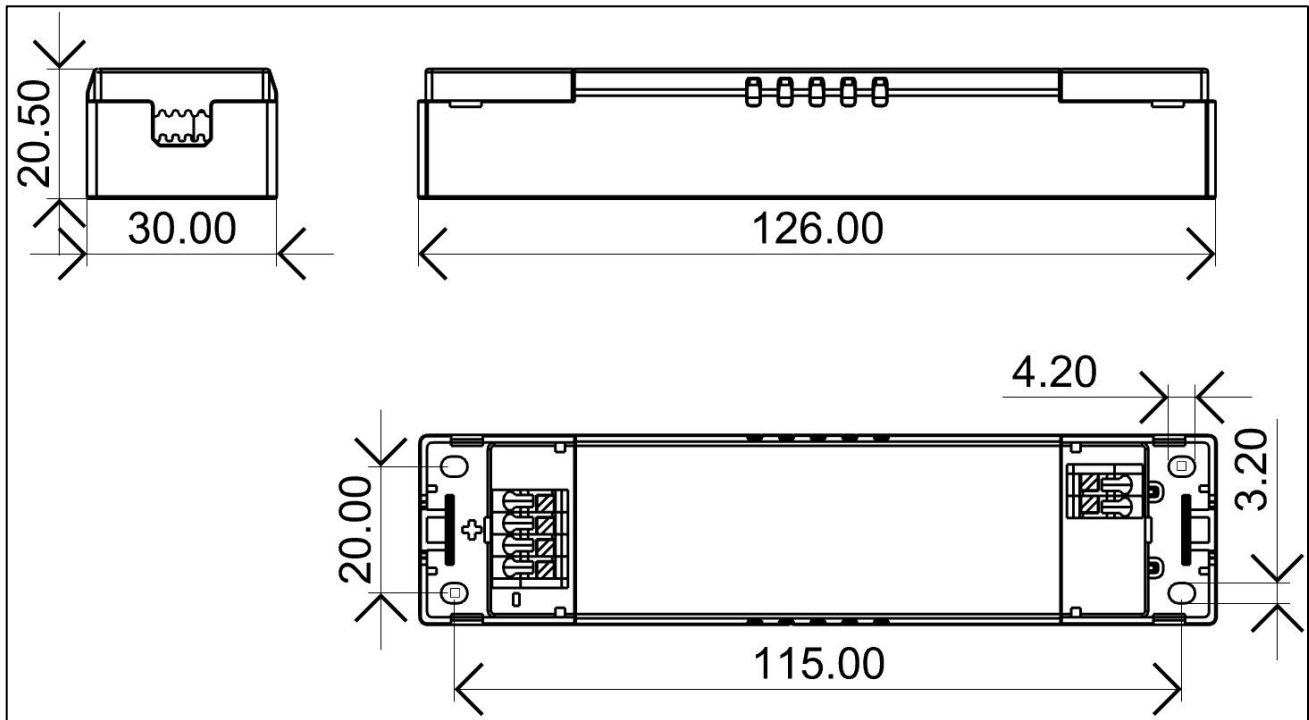
- 1.The number of drives mounted under different MCBs in the table is the maximum value. Please do not exceed this number during installation.
- 2.Different brands and models of miniature circuit breakers, the number of drives mounted will be slightly different.

◆ Wiring diagram



Preliminary

◆ 2D diagram



◆ Wiring & Connections

Specification item		Value (Unit)
Input	Input wire cross-section	0.5...1.5 mm ²
	Input wire gauge.	16...20 AWG
	Input wire strip length	7...9mm
Output	Output wire cross-section	0.5...1.5 mm ²
	Output wire gauge.	16...20 AWG
	Output wire strip length	7...9mm

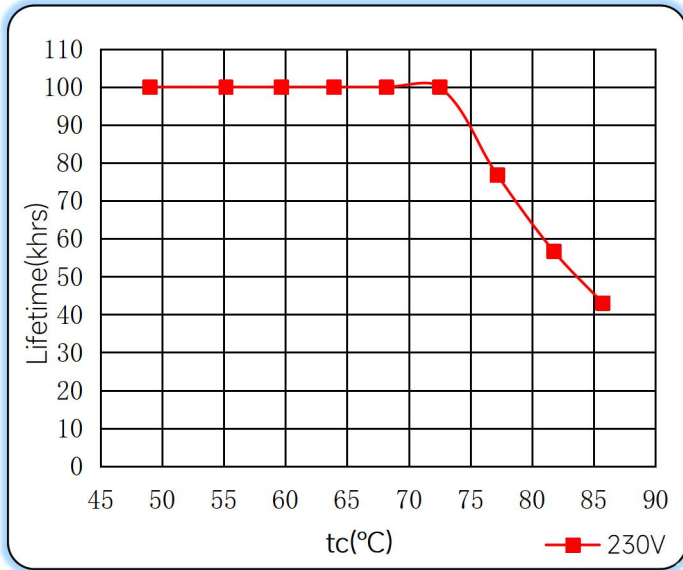
◆ Recommended wire

Wire cross-section	Wire type
2*0.5mm ²	H03VVH2-F 2core
2*0.75mm ²	H03VVH2-F 2core
1.5mm ²	CCC 08(RV-90)
16AWG(1.25mm ²)	UL1015

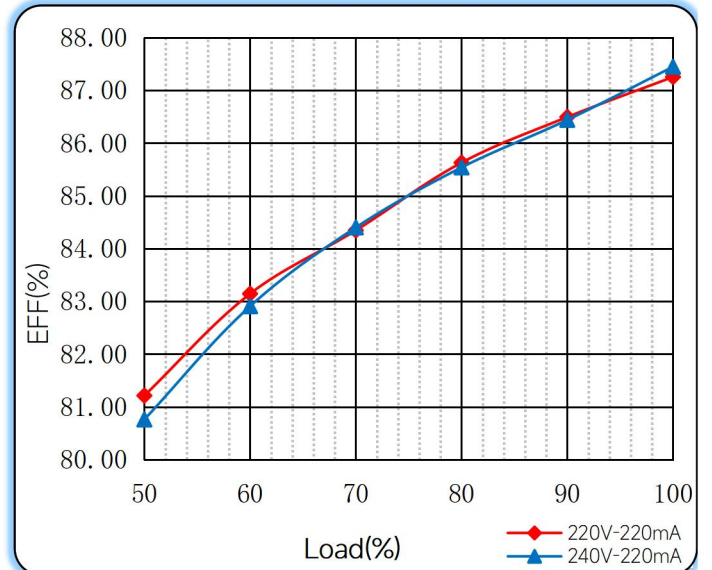
Note: Solid wire is risky to use on an angled terminal. Stranded wire is recommended for this kind of use.

◆ **Curve for LS-8-XXX Blue LI-MJ, I_o=220mA**

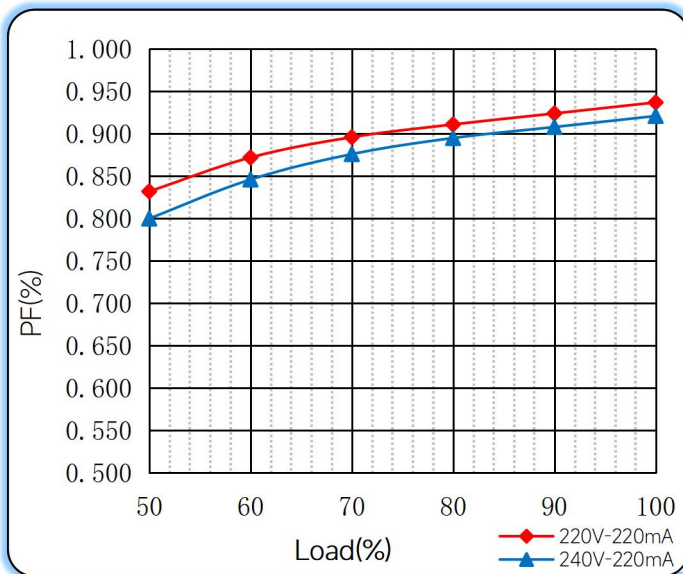
Lifetime vs. Temperature Curve



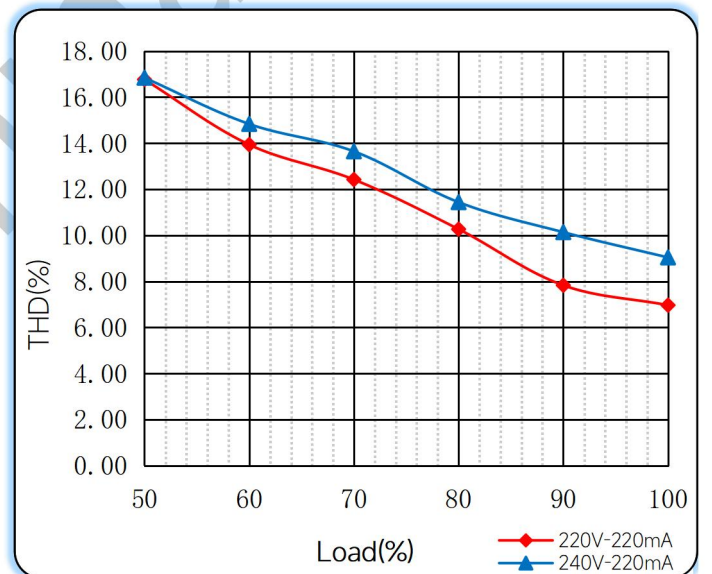
Efficiency vs. Load



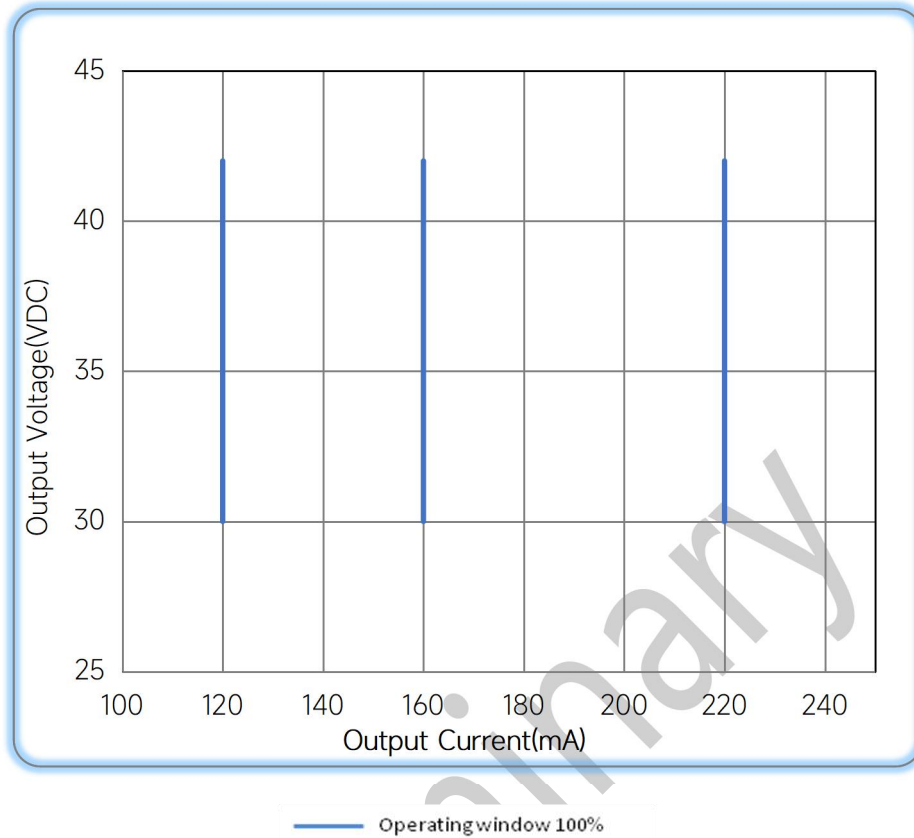
Power Factor Characteristics



THD vs. Load



◆ **Operating window**



◆ **Revision Updates**

ITEM	BEFORE	AFTER	VERSION	DATE
Initial			A	2023/10/15
PF	0.9	0.9C	B	2024/06/28

Remark: The final interpretation of the contents of the specification belongs to Eaglerise Electric & Electronic (China) Co., Ltd.

Tel: +86-0757-86256822, +86-0757-86256831

E-mail: sales@eaglerise.com

Website : <https://lighting.eaglerise.com>



EAGLERISE



Manual