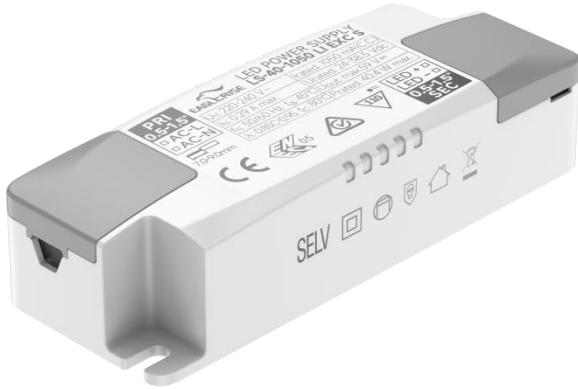


40W Constant Current power supply



Features

- Class II, SELV, independent
- Input Voltage: 220-240VAC
- Protections: SCP/OLP/OVP/OTP
- Power Factor: 0.95
- Efficiency: 87-89%
- 5 years warranty
- IP20

Applications

- LED panel, LED down light
- LED spot light

Approve

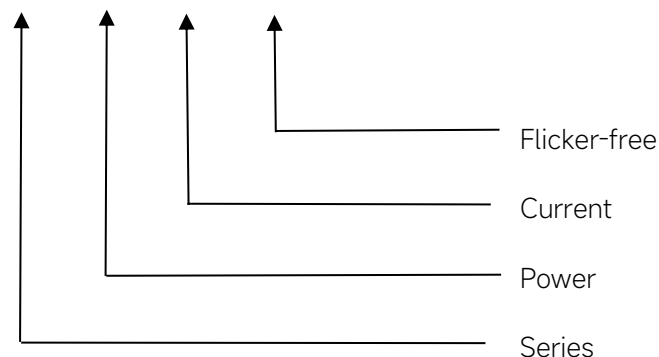


◆ Description

LS-40-XXX LI EXC S is a 40W constant current LED driver with 600 to 1050mA output current. With its compact dimensions from 102 x 38.2 x 25mm it is easy to integrate in LED Panel, spot and down lights product. To ensure trouble-free operation, protection is provided against output short circuit and over Load.

◆ Model code

LS-40-XXX LI EXC S



◆ Specification

Output	Constant Current (mA)	600	650	700	750	800	850	900	950	1000	1050	
	Voltage Range(VDC)	24-42								24-40	24-38.5	
	Unload voltage Max.	59VDC										
	Current Accuracy	±5%										
	Output HF current ripple(≥1KHz)	±3%										
	Output LF current ripple(≤120Hz)	±3%										
	SVM	≤0.4										
	Pst	≤1										
	Efficiency(Typ.)	87%							89%			
Input	Rated input voltage	220-240V										
	Range of input voltage	198-264VAC										
	Maximum voltage	300VAC@1 h maximum,unit might not operate in this abnormal condition										
	Range of input voltage(VDC)	176-280VDC										
	Frequency(Hz)	0/50/60 Hz										
	Displacement factor	≥0.9										
	Power Factor(Typ.230VAC)	0.95										
	Input Current max (mA)	162	175	190	200	215	230	240	252	252	265	
	Start-up time	< 0.5S										
	No Load Power	≤0.5W										
	Standby Power	≤0.5W										
	THD (Typ.)	<10%									≤7%	
Protection	Over Load Protection	103-130%										
		YES/Auto Resume										
	Over Voltage Protection	59VDC										
		YES/Auto Resume										
capability	Surge capability (L-N)	2KV										
	Surge capability (L/N-Ground)	4KV										
Environment	Operating Temperature	-20°C~+45°C										
	Humidity	20%-90%RH										
	Tc	80°C										
	Storage Temperature	-25°C~+60°C										
	Life time	> 50000h@Tc=75°C										
	Noise	≤20dB(A)@10cm										
Surface	Dimension	102X38.2X25(LXWXH)mm										
	material	PC										

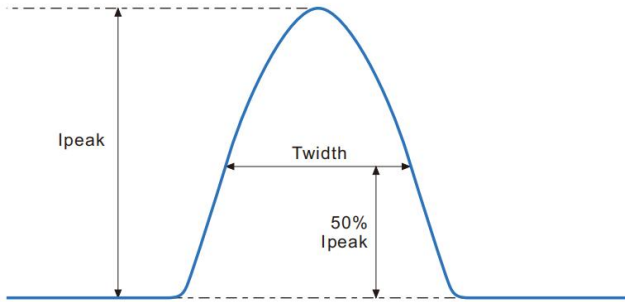
Standards	Safety	GB19510. 1, GB19510. 14;IEC61347- 1, IEC61347-2- 13;AS/NZS 61347- 1, AS/NZS 61347-2- 13;AS 61347.2.13;EN62384;
	EMC	GB/T17743, GB17625. 1;EN55015, EN61000-3-2, EN61000-3-3, EN61547;EN55015, EN61000-3-2, EN61000-3-3, EN61547,EN 62493;EN61000-4-5;EN61000-4-2,3,4,5,6,8,11, EN61547
	ErP	Erp2.0 EU 2019/2020
	RoHS	RoHS (2011/65/EU) (EU)2015/863
Note	<p>1.All parameters not specially mentioned are measured at 230VAC input , full load and 25°C of ambient temperature.</p> <p>2.Ripple & Noise are measured at 20MHz of bandwidth by using a 300mm twisted pair-wire terminated with a 0.1uF & 47 uF parallel capacitor.</p> <p>3.Switch and dimmer are not recommended to connect between this product output and luminaries.</p> <p>4.The DC input for this product is only used for emergency lighting and applies to functional and safety requirements, EMC is not considered.</p> <p>5.All Eaglerise power supply are complied with EMI regulations. Since they are belong to component and will be installed inside system enclosure. When they are integrated into a system, the EMI characteristics of the system must be re-verified again.</p>	

◆ Model list

Number	Model number	Output			
		Current (mA)	Voltage (VDC)	Voltage No load (VDC)	Power (W)
1	LS-40-600 LI EXC S	600	24-42	59	25.2
2	LS-40-650 LI EXC S	650			27.3
3	LS-40-700 LI EXC S	700			29.4
4	LS-40-750 LI EXC S	750			31.5
5	LS-40-800 LI EXC S	800			33.6
6	LS-40-850 LI EXC S	850			35.7
7	LS-40-900 LI EXC S	900			37.8
8	LS-40-950 LI EXC S	950			39.9
9	LS-40-1000 LI EXC S	1000	24-40		40
10	LS-40-1050 LI EXC S	1050	24-38.5		40.4

◆ Inrush Current

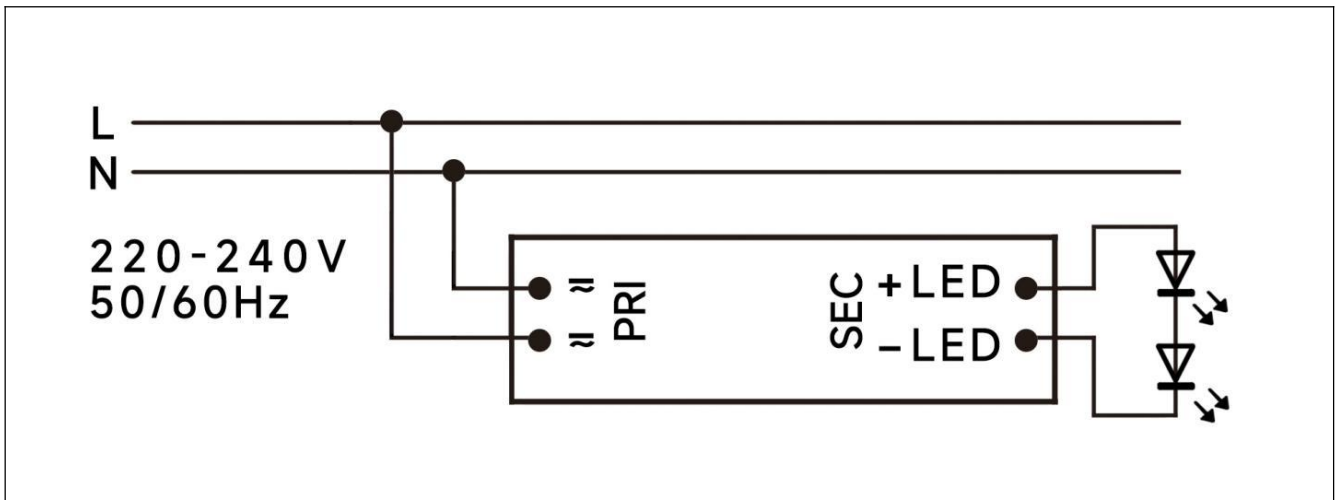
I _{peak}	T _{width}	B10	B16	B20	C10	C16	C20
28.8A	138μs	21pcs	33pcs	42pcs	30pcs	49pcs	61pcs



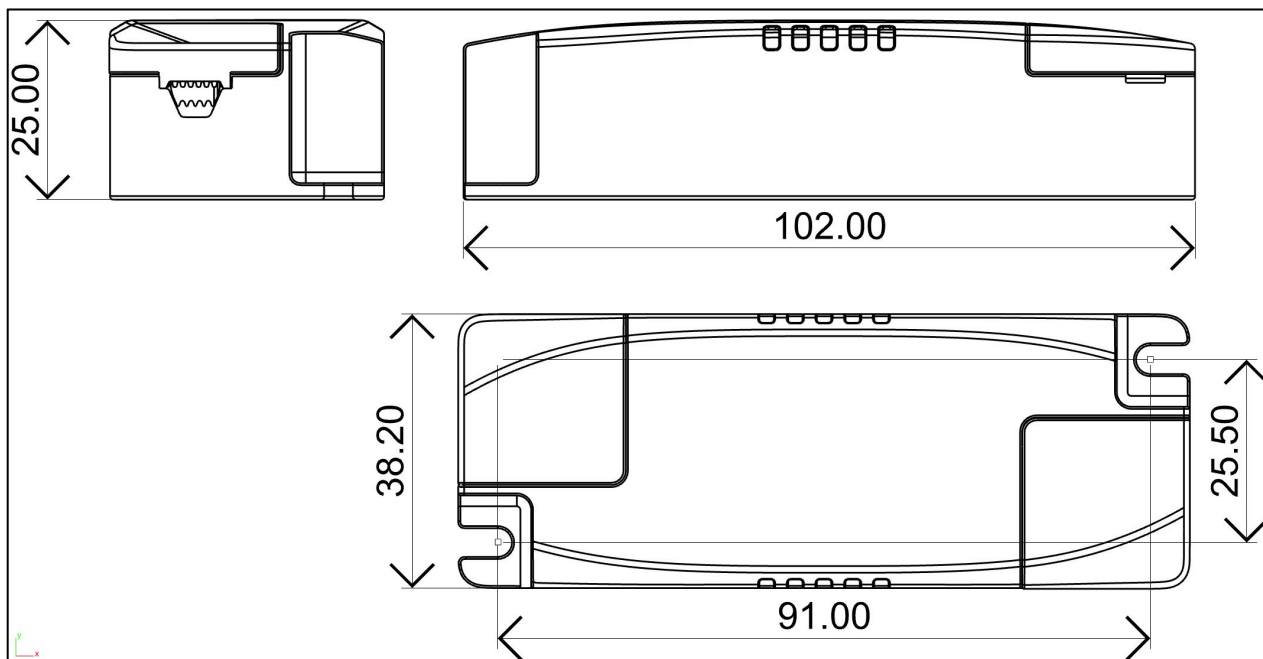
Remarks:

- 1.The number of drives mounted under different MCBs in the table is the maximum value. Please do not exceed this number during installation.
- 2.Different brands and models of miniature circuit breakers, the number of drives mounted will be slightly different.

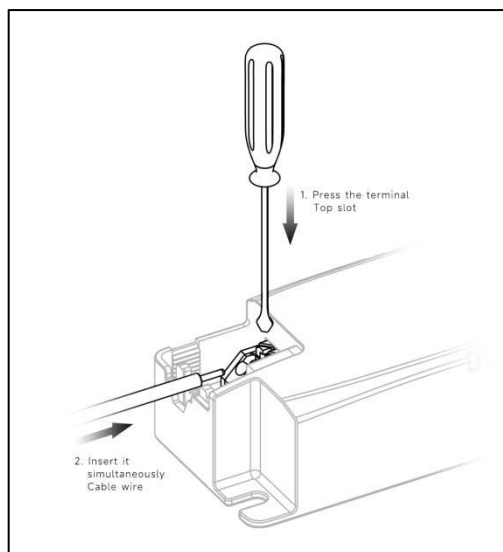
◆ **Wiring diagram**



◆ 2D diagram



Termina



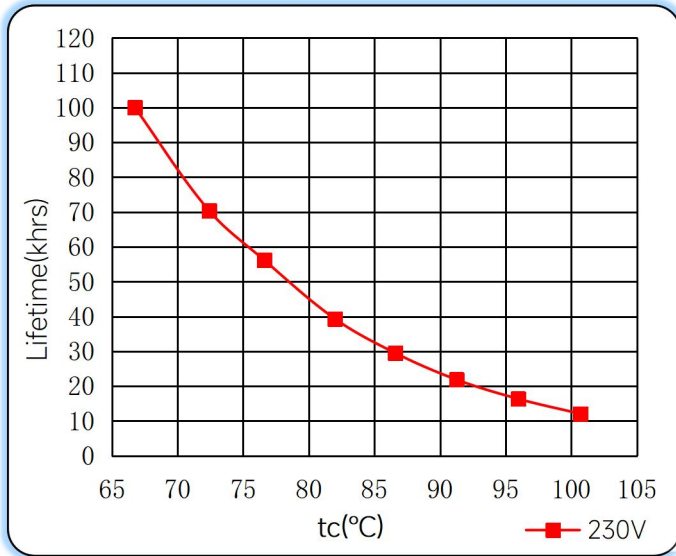
◆ Wiring & Connections

Specification item		Value (Unit)
Input	Input wire cross-section	0.5...1.5 mm ²
	Input wire gauge.	16...20 AWG
	Input wire strip length	7...9mm
Output	Output wire cross-section	0.5...1.5 mm ²
	Output wire gauge.	16...20 AWG
	Output wire strip length	7...9mm

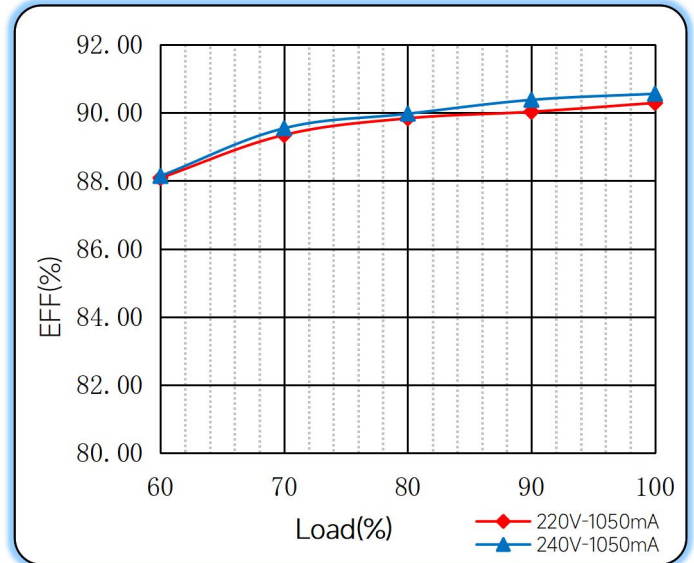
Note: Solid wire is risky to use on an angled terminal. Stranded wire is recommended for this kind of use.

◆ **Curve for LS-40-1050 LI EXC S, I_o=1050mA**

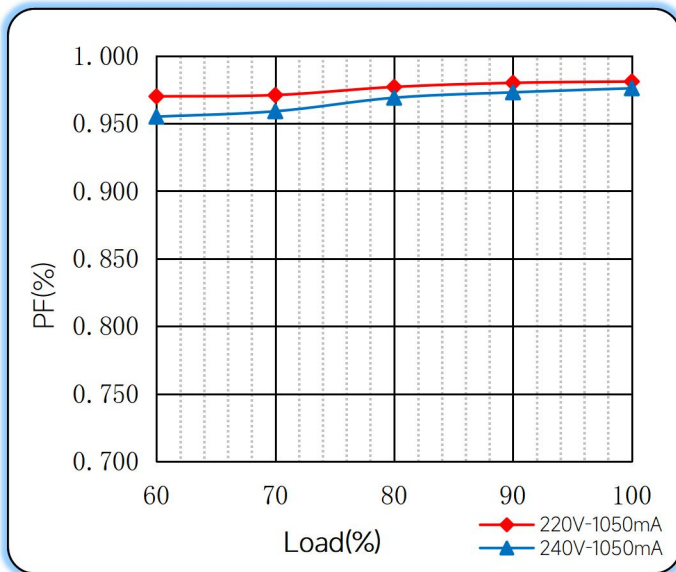
Lifetime vs. Temperature Curve



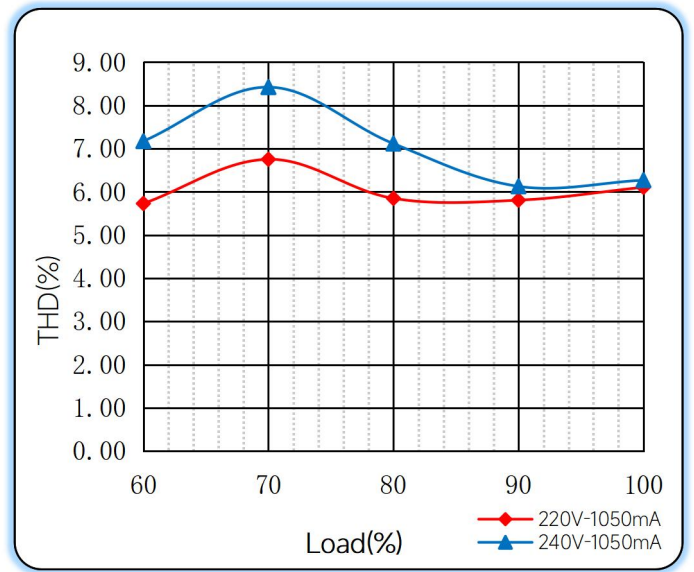
Efficiency vs. Load



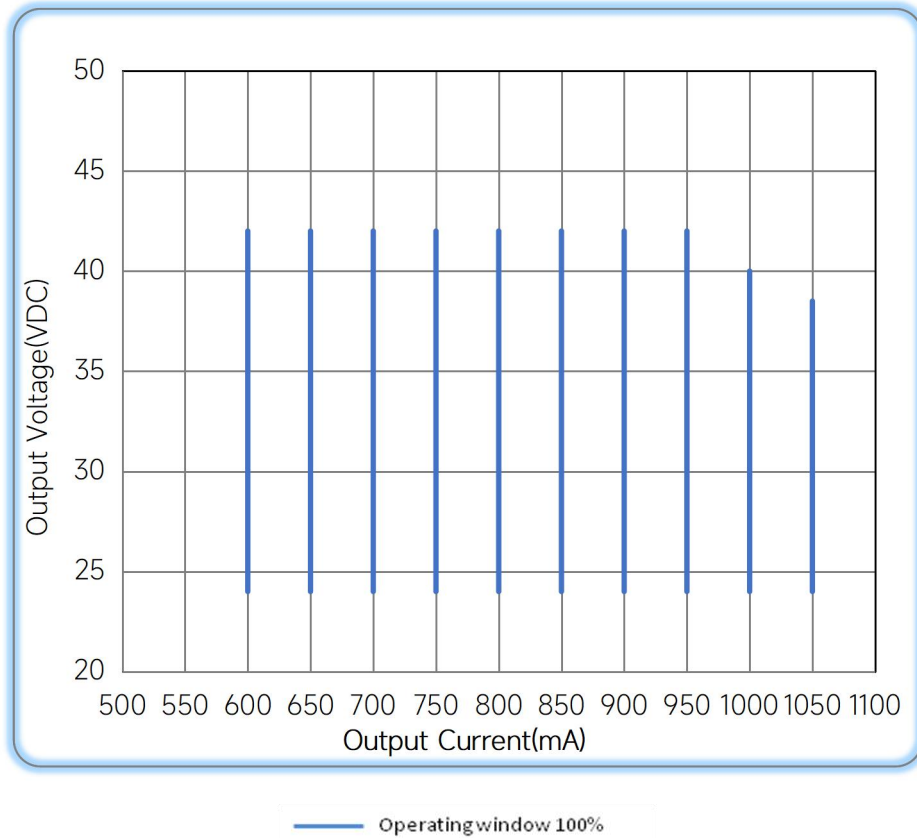
Power Factor Characteristics



THD vs. Load



◆ **Operating window**



◆ **Revision Updates**

ITEM	BEFORE	AFTER	VERSION	DATE
Initial			A	2023/10/13
PF,Tc		update	B	2023/11/23
Over Load Protection	103-120%	103-130%	C	2023/12/26

Remark:The final interpretation of the contents of the specification belongs to Eaglerise Electric & Electronic (China) Co., Ltd.

Tel: +86-0757-86256822, +86-0757-86256831

E-mail: sales@eaglerise.com

Website : <https://lighting.eaglerise.com>



EAGLERISE



Manual