

8W Constant Current power supply



Features

- Class II, SELV, Independent
- Input Voltage: 220-240VAC
- Protections: SCP/OLP/OVP/OTP
- Power Factor: 0.5(Typ.)
- Efficiency: 73%(Typ.)
- 5 years warranty
- IP20

Applications

- LED panel、LED down light
- LED spot light



IS 15885(PART 2/SEC 13)

*current see Note



R-41050962

www.bis.gov.in

made in china

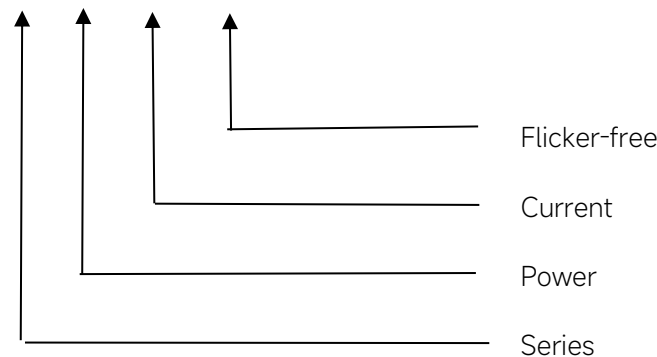
SELV

◆ Description

LS-8-700 SI E1 is a 8W constant current LED driver with 700mA output current. With it's compact dimensions from 84×20.5×16.5mm. It is easy to integrate in LED panel、LED down light、LED spot light products. To ensure trouble-free operation, protection is provided against output short circuit and over Load.

◆ Model code

LS-8-700 SI E1



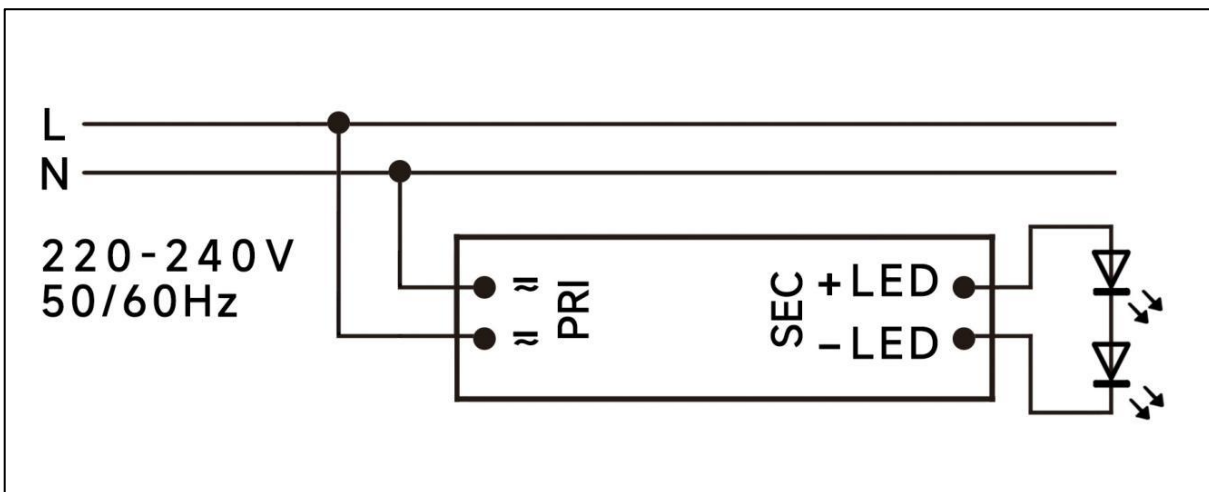
◆ Specification

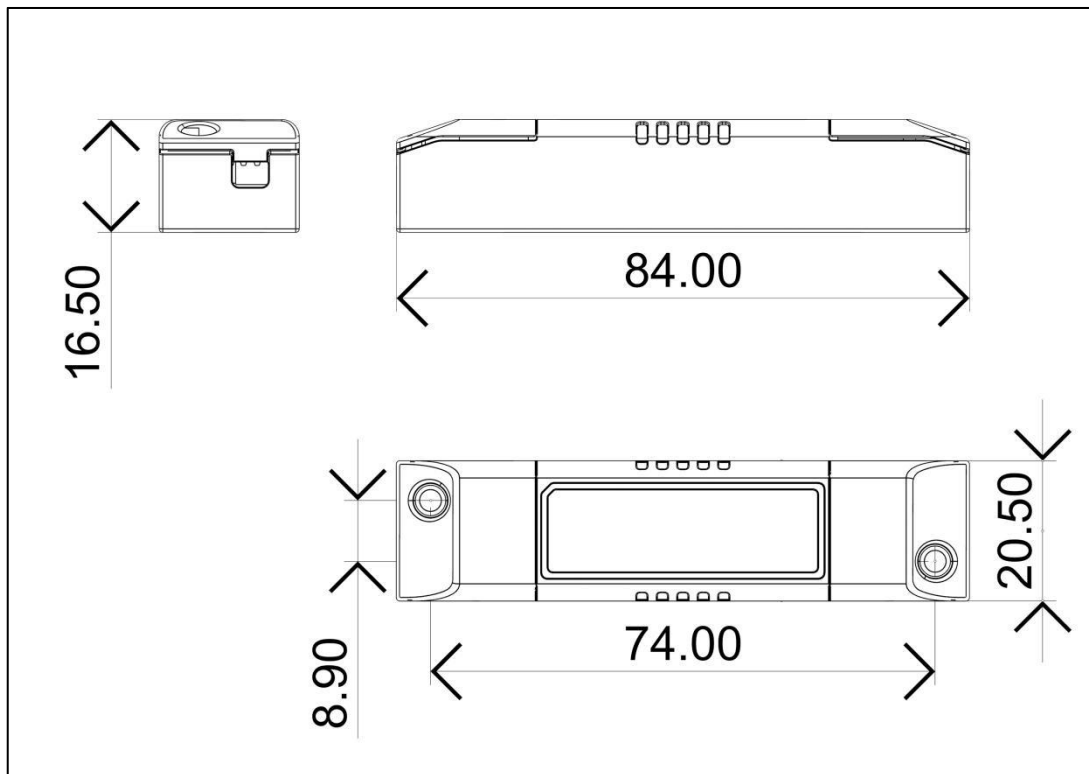
Output	Constant Current (mA)	700mA
	Voltage Range(VDC)	8-13VDC
	Unload voltage Max.(VDC)	24VDC
	Current Accuracy	±7%
	Output HF current ripple(≥1KHz)	±5%
	Output LF current ripple(≤120Hz)	±5%
	SVM	≤0.4
	P _{st}	≤1
	Efficiency(Typ.)	≥73%@Full load,230V
Input	Rated input voltage	220-240VAC
	Range of input voltage	198-264VAC
	Frequency(Hz)	50/60 Hz
	Displacement factor	≥0.5
	Power Factor	0.5@Full load,230V
	Input Current max (mA)	0.11A
	Start-up time	< 0.5S
	No Load Power	≤0.5W
	Standby Power	≤0.5W
Protection	Over Load Protection	103-120%
		YES/Auto Resume
	Over Voltage Protection	>24VDC
		YES/Auto Resume
Short circuit Protection	YES/Auto Resume	
Over Temperature Protection	YES/Auto Resume	
Environment	Operating Temperature	-20°C~+40°C
	Humidity	20%-90%RH
	Tc	80°C
	Storage Temperature	-20°C~+60°C
	Life time	> 50,000h@TC=65°C
Surface	Dimension	84×20.5×16.5 (LxWxH)mm
standards	EN 61547; EN 61347-1,EN 61347-2-13;IEC 61347-1,IEC 61347-2-13;GB 19510.1,GB 19510.14,GB/T 17743 EN 62384;EN IEC 55015,EN IEC 61000-3-2,EN 61000-3-3	
Others	ErP	EU 2019/2020
	RoHS	RoHS (2011/65/EU) (EU)2015/863
Note	<ol style="list-style-type: none"> All parameters NOT specially mentioned are measured at 230VAC input , full load and 25°C of ambient temperature. Ripple & Noise are measured at 20MHz of bandwidth by using a 300mm twisted pair-wire terminated with a 0.1uF & 47 uF parallel capacitor. Switch and dimmer are not recommended to connect between this product output and luminaries. This model is for internal sale version, will not carry out harmonic detection. 	

◆ **Circuit Breaker**

I ^{peak}	T ^{width}	B10	B16	B20	C10	C16	C20
9.04A	88μs	72pcs	116pcs	145pcs	72pcs	116pcs	145pcs

◆ **Wiring diagram**

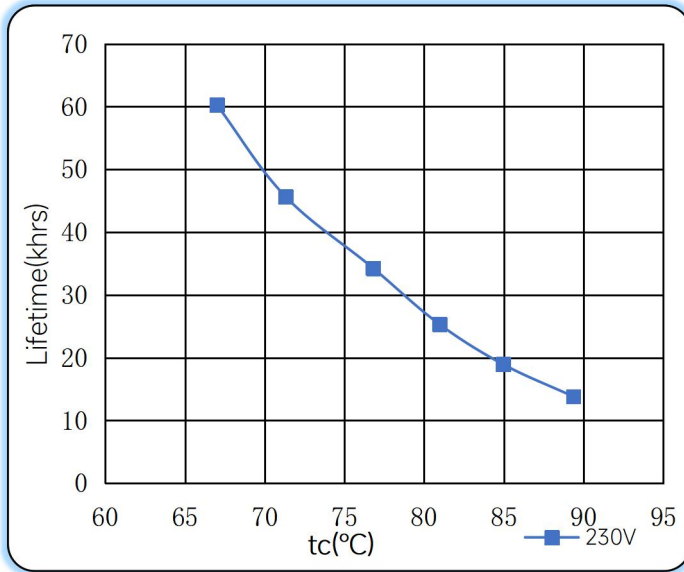


◆ 2D diagram

◆ Wiring & Connections

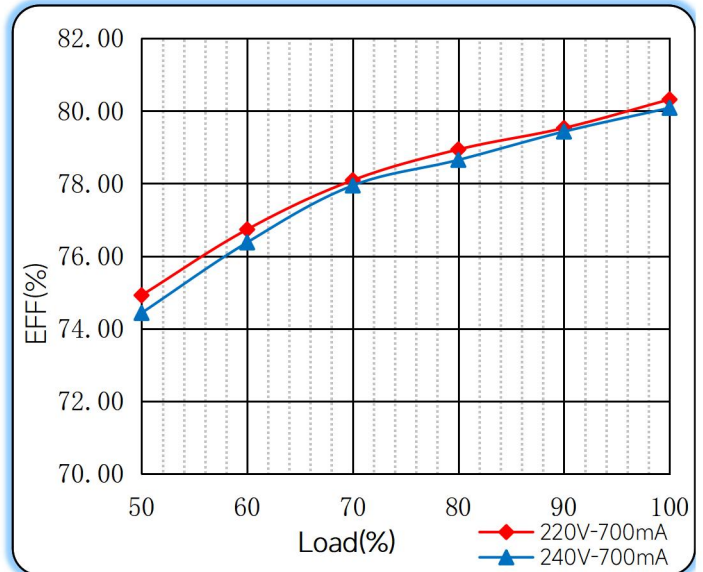
Specification item		Value (Unit)
Input	Input wire cross-section	0.5...1.5 mm ²
	Input wire gauge.	16...20 AWG
	Input wire strip length	7...9mm
Output	Output wire cross-section	0.5...1.5 mm ²
	Output wire gauge.	16...20 AWG
	Output wire strip length	7...9mm

◆ Curve for LS-8-700 SI E1, I_o=700mA

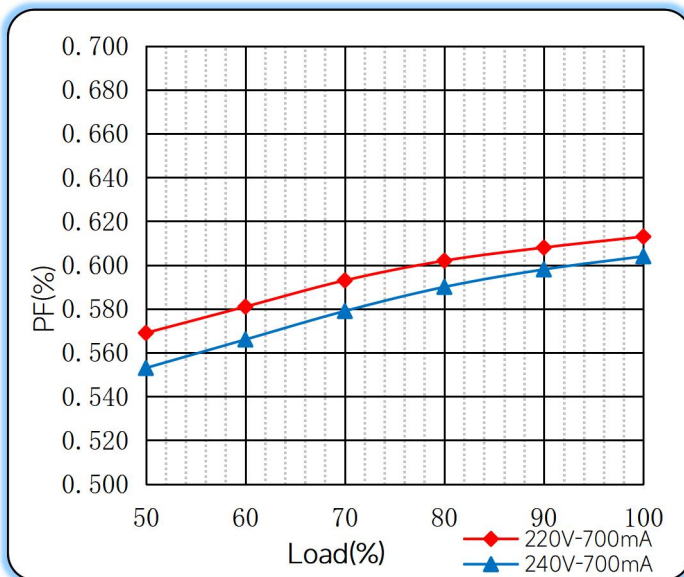
Lifetime vs. Temperature Curve



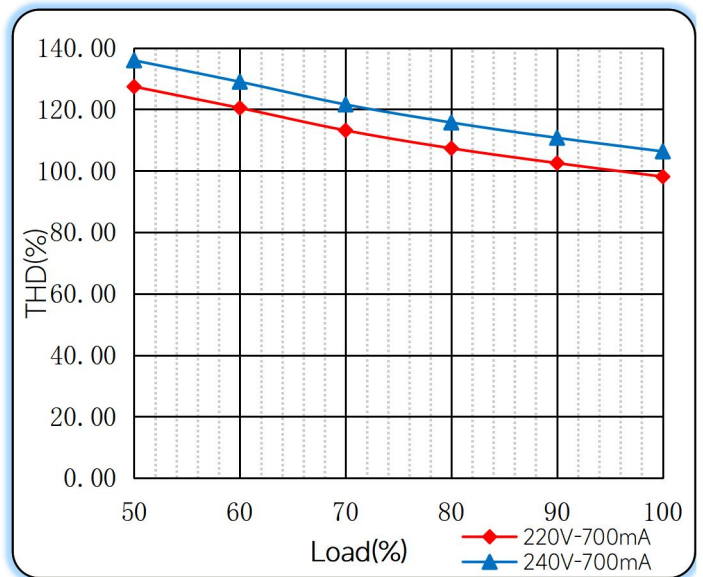
Efficiency vs. Load



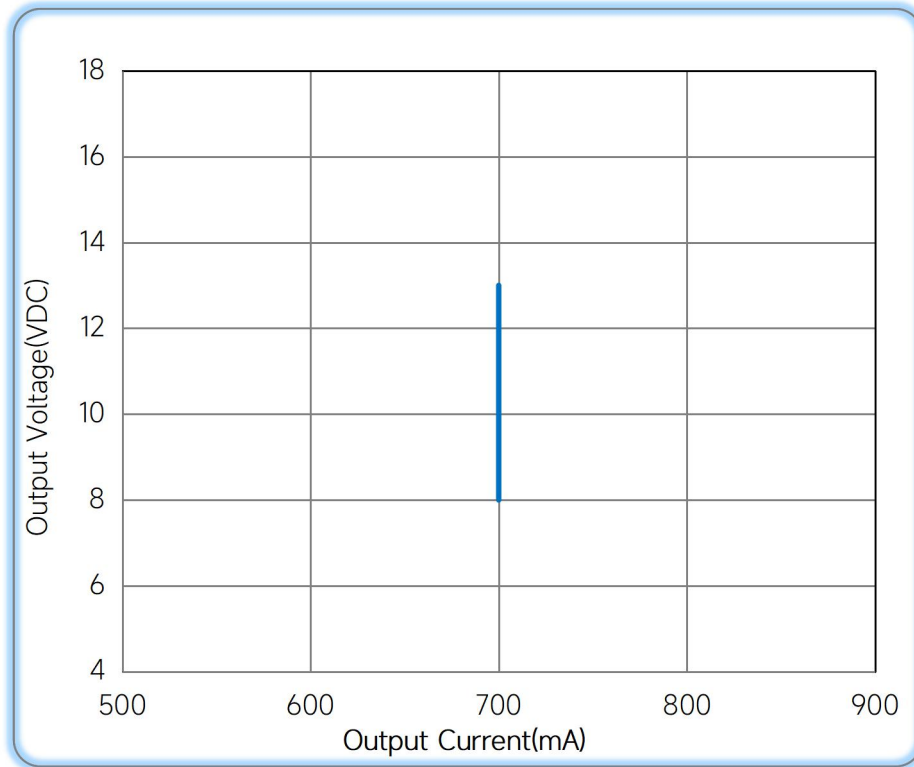
Power Factor Characteristics



THD vs. Load



◆ Operating window



◆ Revision Updates

ITEM	BEFORE	AFTER	VERSION	DATE
Initial			A	2023/03/22
Current Accuracy	±5%	±7%	B	2023/05/25

Tel: +86-0757-86256822, +86-0757-86256831

E-mail: sales@eaglerise.com

Website : <https://lighting.eaglerise.com>



EAGLERISE



Manual