

## 35W Constant Current – DIP-Switch



### Features

- For luminaries of protection Class I or II, SELV, built-in
- Input Voltage : 220-240VAC
- Protections: SCP/OLP/OVP/OTP
- Power Factor : > 0.95
- Efficiency : 90%
- 5 years warranty

### Applications

- Linear light

■ Approve

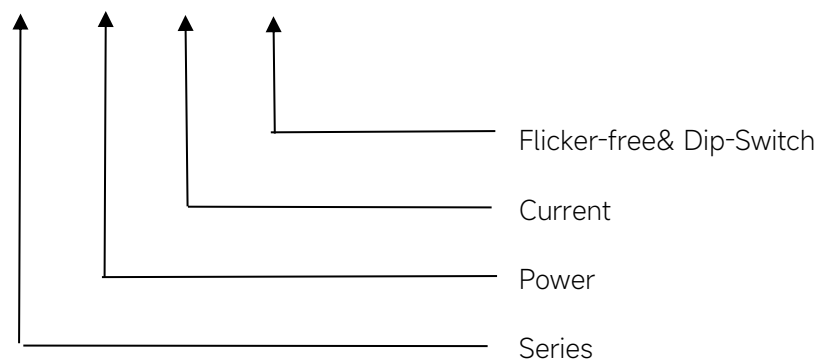


### ◆ Description

FMS-35-650 LD EXC is a 35W constant current LED driver that operates from 198-264Vac input with 500 to 650mA output current. The output current is selectable by DIP Switch. With it's dimensions from 210 x 30 x 21mm. It is easy to integrate in linear light products. To ensure trouble-free operation, protection is provided against output short circuit, over Load and over temperature.

### ◆ Model code

#### FMS-35-650 LD EXC



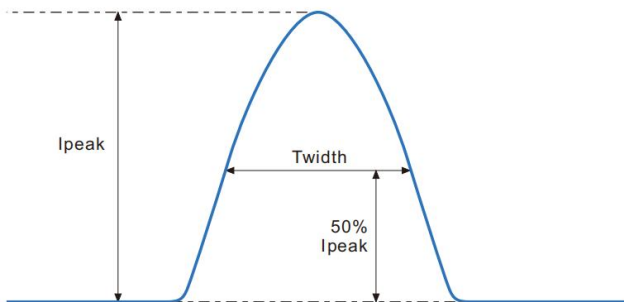
## ◆ Specification

	Constant Current	500mA	550mA	600mA	650mA
Output	Voltage Range	15-51VDC			
	Unload voltage Max.	59VDC			
	Current Accuracy	±5%			
	Output HF current ripple(≥1KHz)	±3%			
	Output LF current ripple(≤120Hz)	±3%			
	SVM	≤0.4			
	Pst	≤1			
	Efficiency(Typ.)	90%			
	Input	Rated input voltage	220-240V		
Range of input voltage		198-264VAC			
Maximum voltage		300VAC@1 h maximum,unit might not operate in this abnormal condition			
Range of input voltage(VDC)		176-280VDC			
Frequency(Hz)		0/50/60 Hz			
Power Factor		0.95			
Input Current max		0.25A			
Start-up time		< 0.5S			
No Load Power		≤0.5W			
THD (Typ.)		< 10%.			
Protection	Over Load Protection	103-120% YES/Auto Resume			
	Over Voltage Protection	> 59VDC YES/Auto Resume			
	Short circuit Protection	YES/Auto Resume			
capability	Surge capability (L-N)	2KV			
	Surge capability (L/N-Ground)	2KV			
Environment	Operating Temperature	-20°C~+60°C			
	Humidity	20%-90%RH			
	Tc	85°C			
	Storage Temperature	-25°C~+60°C			
	Life time	> 50000h@Tc=80°C,230VAC			
	Noise	≤25dB(A)@20cm			
Surface	Dimension	210X30X21(LXWXH)mm			
	material	metal case			
Standards	Safety	GB19510. 1, GB19510. 14;IEC61347- 1, IEC61347-2- 13;EN61347- 1, EN61347-2-13;EN62384			
	EMC	GB/T17743, GB17625. 1;EN55015, EN61000-3-2, EN61000-3-3, EN61547;EN61000-4-5;			

	ErP	Erp2.0 EU 2019/2020
	RoHS	RoHS (2011/65/EU) (EU)2015/863
Note	<p>1.All parameters NOT specially mentioned are measured at 230VAC input , full load and 25°C of ambient temperature.</p> <p>2.Ripple &amp; Noise are measured at 20MHz of bandwidth by using a 300mm twisted pair-wire terminated with a 0.1uF &amp; 47 uF parallel capacitor.</p> <p>3.The DC input for this product is only used for emergency lighting and applies to functional and safety requirements, EMC is not considered..</p> <p>4.EL compatible with IEC 61347-2-13 Annex J, compatible with EN 60598-2-22 emergency lighting fixtures, compatible with EN 50172 central battery system applications.</p> <p>5.The over-temperature protection of the product is provided by the IC.</p> <p>6.All Eaglerise power supply are complied with EMI regulations. Since they are belong to component and will be installed inside system enclosure. When they are integrated into a system, the EMI characteristics of the system must be re-verified again.</p>	

## ◆ Inrush Current

I <sub>peak</sub>	T <sub>width</sub>	B10	B16	B20	C10	C16	C20
17.4A	154μs	31pcs	49pcs	62pcs	32pcs	51pcs	64pcs



### Remarks:

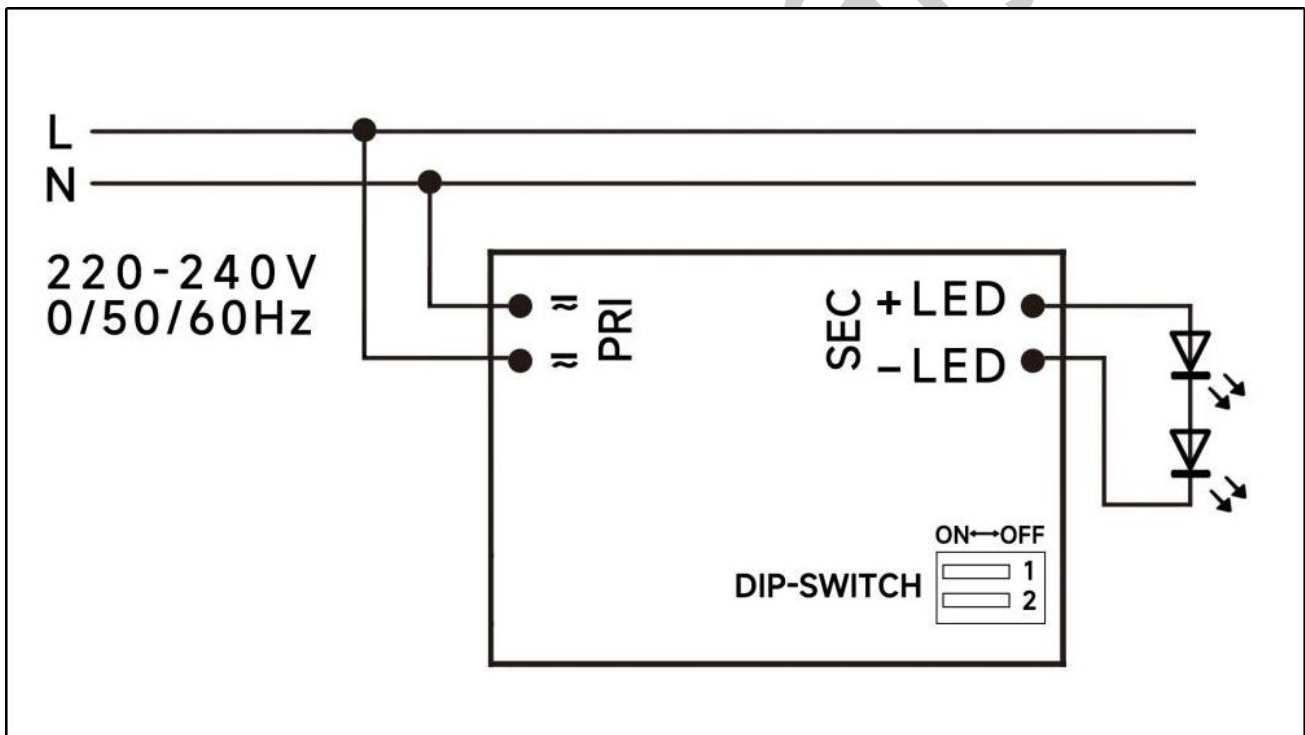
- 1.The number of drives mounted under different MCBs in the table is the maximum value. Please do not exceed this number during installation.
- 2.Different brands and models of miniature circuit breakers, the number of drives mounted will be slightly different.

### ◆ Parameter

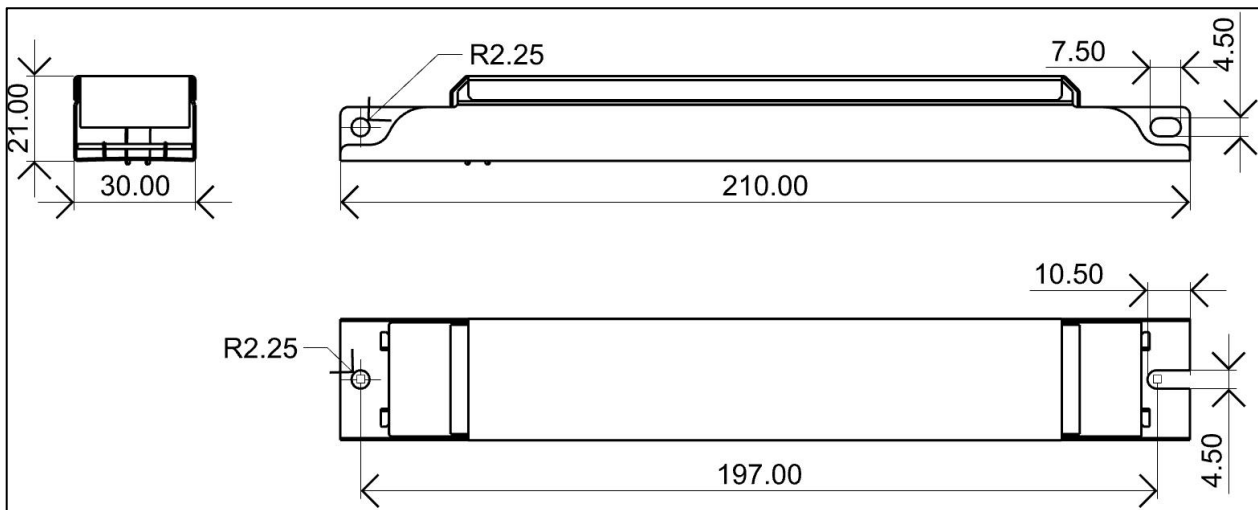
Number	Output				Switch position	
	Current (mA)	Voltage (VDC)	Voltage No load (VDC)	Power (W)	1	2
1	500mA	15-51	59	25.5W	--	--
2	550mA			28W	ON	--
3	600mA			30.6W	--	ON
4	650mA			33.2W	ON	ON

\* Factory default

### ◆ Wiring diagram



### ◆ 2D diagram

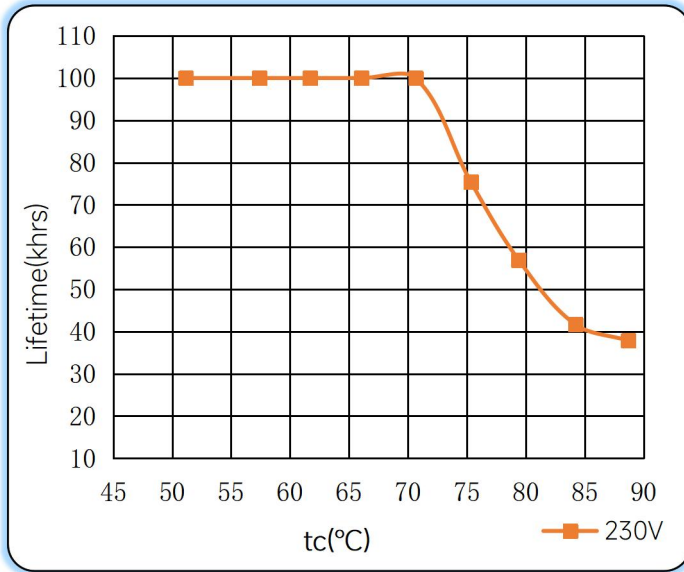
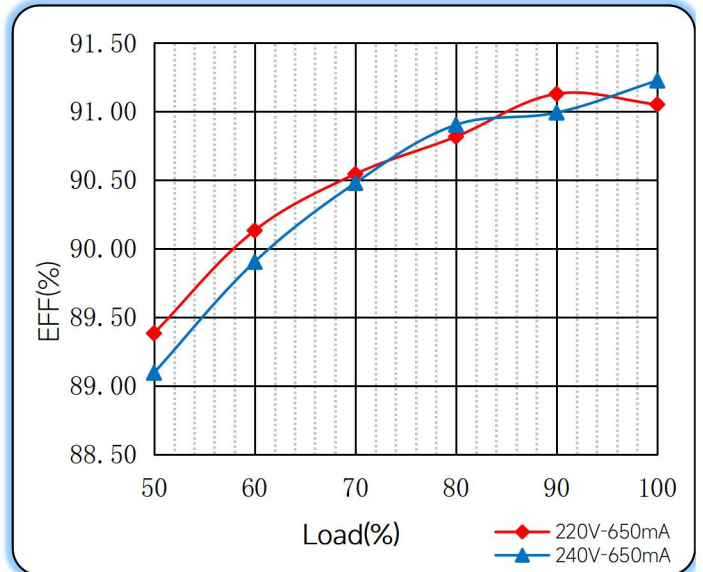
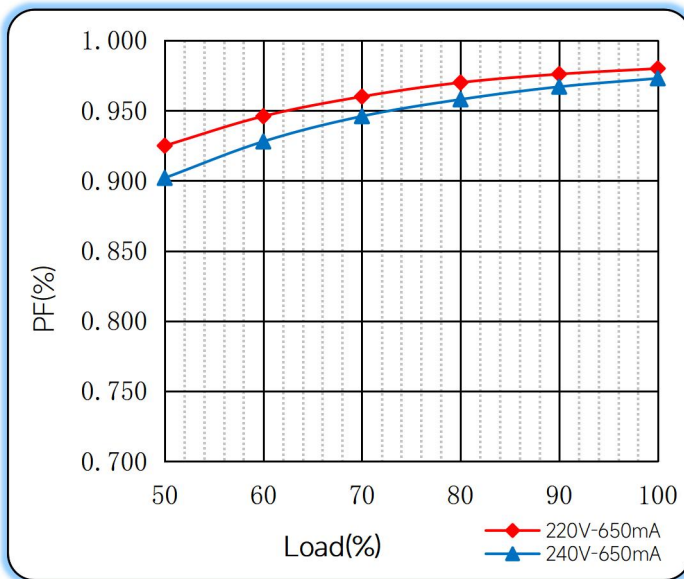
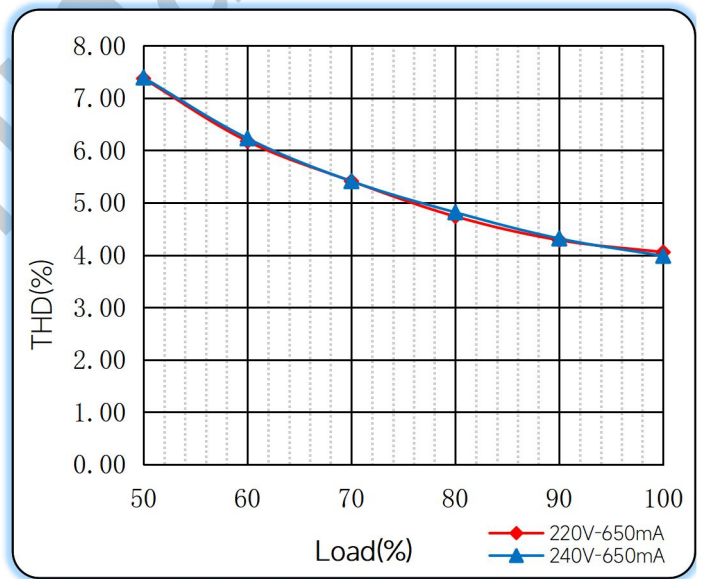


### ◆ Wiring & Connections

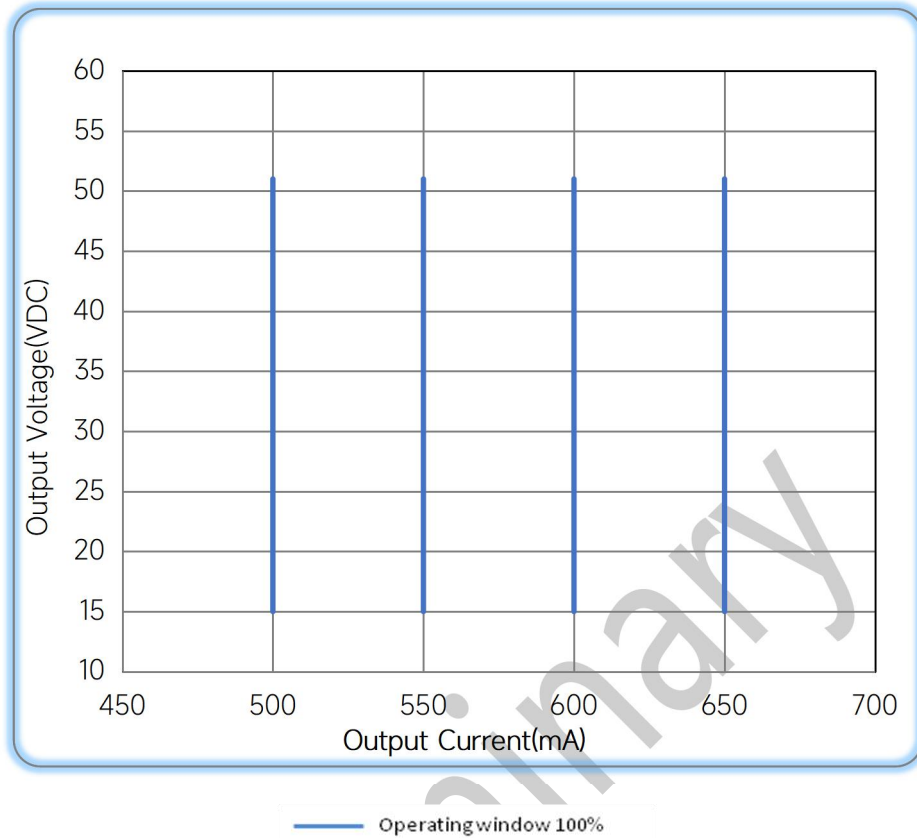
	Specification item	Value (Unit )
Input	Input wire cross-section	0.5...1.5 mm <sup>2</sup> (With side caps: 0.75...1.5 mm <sup>2</sup> )
	Input wire gauge.	16...20 AWG (With side caps: 16...22 AWG )
	Input wire strip length	7...9mm
Output	Output wire cross-section	0.5...1.5 mm <sup>2</sup>
	Output wire gauge.	16...20 AWG
	Output wire strip length	7...9mm

Note: Solid wire is risky to use on an angled terminal. Stranded wire is recommended for this kind of use.

### ◆ Curve for FMS-35-650 LD EXC, $I_o=650mA$

**Lifetime vs. Temperature Curve**

**Efficiency vs. Load**

**Power Factor Characteristics**

**THD vs. Load**


### ◆ Operating window



### ◆ Revision Updates

ITEM	BEFORE	AFTER	VERSION	DATE
Initial			A	2023/08/15
Voltage Range	15-54	15-51	B	2024/03/21

Remark: The final interpretation of the contents of the specification belongs to Eaglerise Electric & Electronic (China) Co., Ltd.

Tel: +86-0757-86256822, +86-0757-86256831

E-mail: sales@eaglerise.com

Website : <https://lighting.eaglerise.com>



EAGLERISE



Manual