

30W DALI + PUSH Dimming power supply



Features

- For luminaries of protection Class I, II, SELV, Built-in/Independent (With side caps)
- Input Voltage: 220-240VAC, 176-280VDC
- Protections: SCP/OLP/OVP/OTP
- Power Factor: > 0.95
- Efficiency: 90%@650mA, Full Load, 230Vac
- Support DALI-2, Push Dimming
- Suitable for emergency lighting acc. to EN 50172
- EOfi=100%
- 22mm height
- DALI maintainace(Part 251,252,253)
- 5 years warranty

Applications

- LED panel, LED down light
- LED spot light

Approve

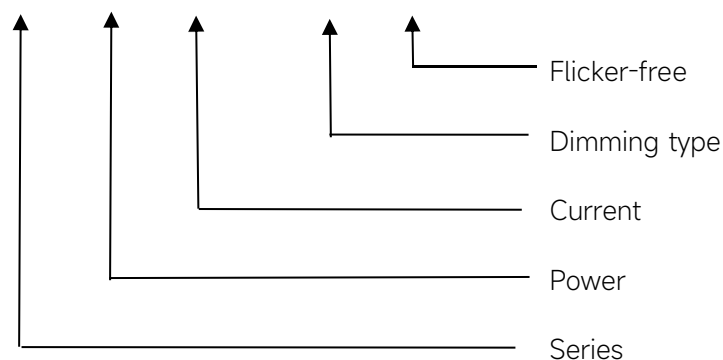


Description

FLS-30-700 DALI-2 LD PRO is a 30W constant current LED driver with 150 to 700mA output current and a forward voltage range from 2.5 to 49Vdc. The output current is adjustable by DIP Switch. With its dimensions from 98 x 43 x 22mm. It is easy to integrate in LED Panel and down light products. To ensure trouble-free operation, protection is provided against output short circuit and over Load.

Model code

FLS-30-700 DALI-2 LD PRO



◆ Specification

Output	Constant Current (mA)	150-350mA	400-650mA	700mA
	Voltage Range(VDC)	9-49VDC	2.5-45VDC	2.5-42VDC
	Unload voltage Max.(VDC)	60VDC		
	Current Accuracy	±5%		
	² Output current ripple(≤120Hz)	±3%		
	SVM	≤0.4@Full Load		
	P _{st}	≤1@Full Load		
	Efficiency(Typ.)	90%@650mA,Full Load, 230Vac		
	EOFI	100%		
Input	Rated input voltage(VAC)	220-240VAC		
	Range of input voltage(VAC)	198-264VAC		
	Maximum voltage	300VAC@1 h maximum,unit might not operate in this abnormal condition		
	Range of input voltage(VDC)	176-280VDC		
	Frequency(Hz)	0/50/60 Hz		
	Displacement Factor	≥0.9@full load, 230Vac		
	Power Factor	>0.95@full load, 230Vac		
	Input Current max	0.20A max		
	Start-up time(AC mode)	< 0.8S		
	Start-up time(DC mode)	< 0.6S		
	Switch over time(AC/DC mode)	< 0.6S		
	No Load Power	≤0.3W, @220Vac		
	Standby Power	≤0.3W, @220Vac		
	Network Standby Power	≤0.3W,@220Vac		
	THD (Typ.)	<10%@full load,230Vac		
Dimming	Dimming	YES		
	Dimming mode	DALI-2 (IEC 62386-101,102,207,251,252,253) &Push Dimming (Corridor Function)		
	Dimming depth	3mA@150-300mA, 1%@350-700mA		
	Dimming current range	1-100%		
	Dimming method	1%-12% @PWM dimming, 12%-100% @AM dimming		
Protection	Over Load Protection	103-120%		
		YES/Latch off		
	Over Voltage Protection	60VDC		
		YES/Latch off		
Short circuit Protection	YES/Latch off			
Over Temperature Protection	YES/Auto Resume			
capability	Surge capability (L-N)	1KV		
	Surge capability (L/N-Ground)	2KV		

Environment	Operating Temperature	-20°C~+45°C
	Humidity	20%-90%RH
	Tc	85°C
	Storage Temperature	-40°C~+80°C
	Life time	> 50000h,@Tc=80°C
	Ripple&Noise	≤25dB(A)@20cm
Surface	Dimension	98 x 43 x 22 mm (With side caps) : 132 X43X22mm
	material	PC
Standards	Safety	GB19510. 1, GB19510. 14;IEC61347- 1, IEC61347-2- 13;AS/NZS 61347- 1, AS/NZS 61347-2- 13;AS 61347.2.13;EN62384;
	EMC	GB/T17743, GB17625. 1;EN55015, EN61000-3-2, EN61000-3-3, EN61547;EN55015, EN61000-3-2, EN61000-3-3, EN61547,EN 62493;EN61000-4-5;EN61000-4-2,3,4,5,6,8,11, EN61547
	ErP	Erp2.0 EU 2019/2020
	RoHS	RoHS (2011/65/EU) (EU)2015/863
DALI performance	EN 62386-101 (DALI-2) EN 62386-102 (DALI-2) EN 62386-207 (DALI-2,including part251,252,253)	
Note	<p>1.All parameters not specially mentioned are measured at 230VAC input , full load and 25°C of ambient temperature.</p> <p>2.Ripple & Noise are measured at 20MHz of bandwidth by using a 300mm twisted pair-wire terminated with a 0.1uF & 47 uF parallel capacitor.</p> <p>3.DALI protocol comprises 16 groups and 64 addresses.Up to 32 drivers can perform the PUSH dimming at the same time when utilizing one push button.</p> <p>4.EL compatible with IEC 61347-2-13 Annex J, compatible with EN 60598-2-22 emergency lighting fixtures, compatible with EN 50172 central battery system applications.</p> <p>5.The DC input for this product is only used for emergency lighting and applies to functional and safety requirements, EMC is not considered.</p>	

◆ Parameter

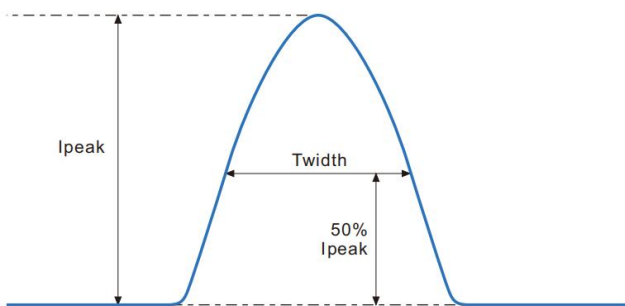
Number	Output				Switch position			
	Current (mA)	Voltage (VDC)	Voltage No load (VDC)	Power (W)	1	2	3	4
1	150mA	9-49 VDC	60VDC	7.35W	--	--	ON	--
2	200mA			9.8W	ON	--	ON	--
3	250mA			12.25W	--	ON	ON	--
4	300mA			14.7W	ON	ON	ON	--
5	350mA			17.15W	--	--	--	ON
6	400mA	2.5-45VDC		18W	ON	--	--	ON
7	450mA			20.25W	--	ON	--	ON

8	500mA		22.5W	ON	ON	--	ON
9	550mA		24.75W	--	--	ON	ON
10	600mA		27W	ON	--	ON	ON
11	650mA		29.25W	--	ON	ON	ON
*12	700mA	2.5-42VDC	29.4W	ON	ON	ON	ON

* Factory default

◆ Inrush Current

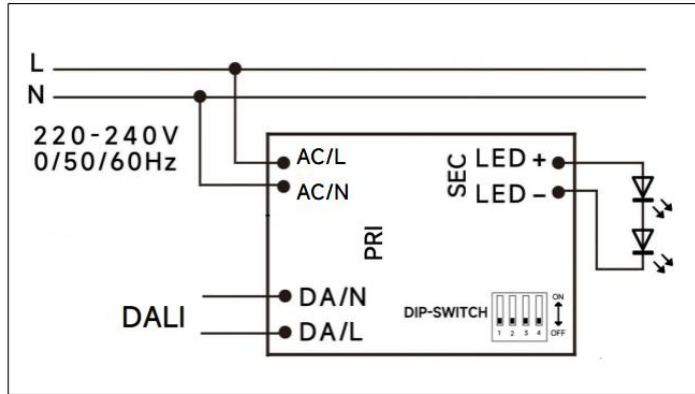
I _{peak}	T _{width}	B10	B16	B20	C10	C16	C20
6A	36μs	40pcs	64pcs	80pcs	40pcs	64pcs	80pcs



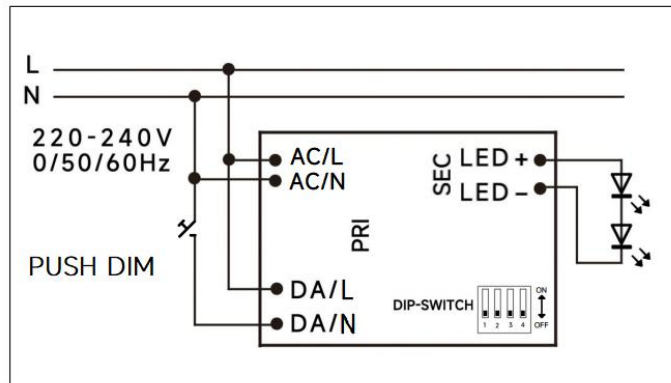
Remarks:

- 1.The number of drives mounted under different MCBs in the table is the maximum value. Please do not exceed this number during installation.
- 2.Different brands and models of miniature circuit breakers, the number of drives mounted will be slightly different.

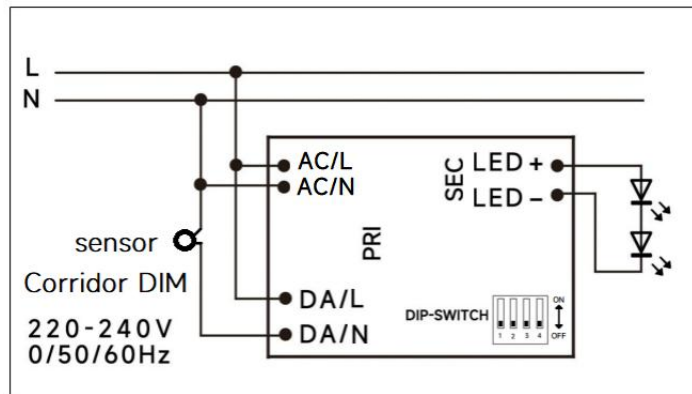
◆ Wiring diagram



DALI dimming application



PushDIM dimming application



Corridor DIM dimming application

◆ Label

LED POWER SUPPLY
EAGLERISE FLS-30-700 DALI-2 LD PRO

7.0-9.0mm

PRI 0.5-1.5[□] Built-in	$U_N: 220-240\text{ V}\sim$	$U_{out}: \text{max.}60\text{ V}\text{---}$	LED + □ LED - □ 0.5-1.5[□] SEC
	$U_N: 198-254\text{ V}\text{---}$	$t_a: 45^\circ\text{C}$	
	$I_N: 0.2\text{ A max.}$	$t_c: 85^\circ\text{C}$	
	$f_N: 0/50/60\text{ Hz} \cdot t_c$	$\lambda: 0.5\text{C}-0.95$	

AC-L
 AC-N
 Push-DIM
 DA●-N
 DA●-L

CE

🏠

🔌

⊙

110

SELV

♻️

DIP						
$I_{rated}(\text{mA})$	150	200	250	300	350	400
$P_{rated}(\text{W})$	7.35	9.8	12.25	14.7	17.15	18
$U_{rated}(\text{Vdc})$	9-49					2.5-45
DIP						
$I_{rated}(\text{mA})$	450	500	550	600	650	700
$P_{rated}(\text{W})$	20.25	22.5	24.75	27	29.25	29.4
$U_{rated}(\text{Vdc})$	2.5-45					2.5-42

DIP setting:

↑ ON

↓ OFF

1 2 3 4

Stock code : 002922

6 / 12

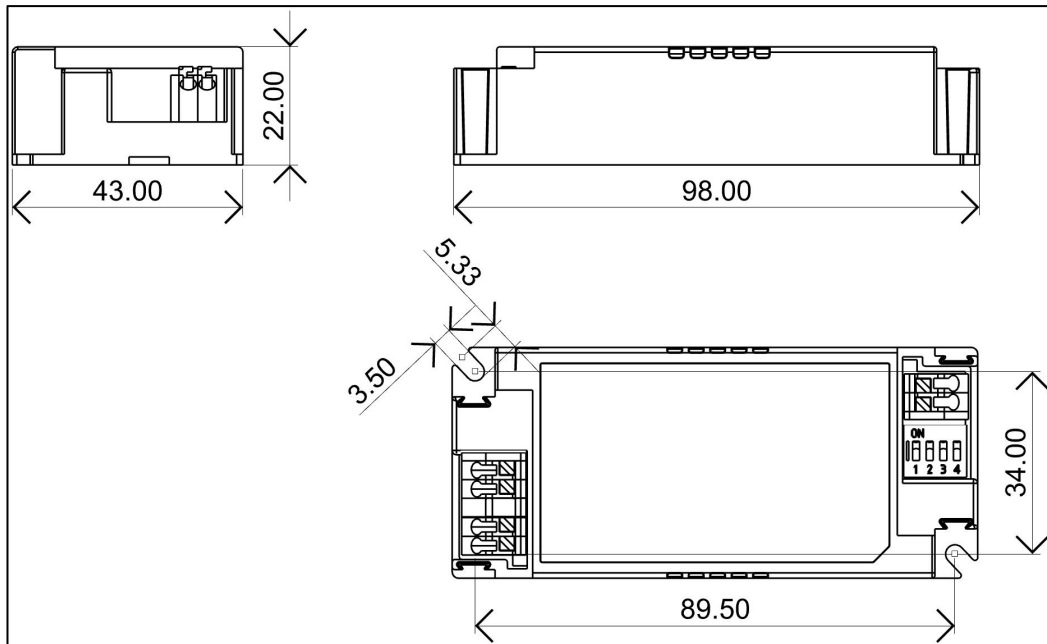
Article information 2023/ 09/06

REV: C

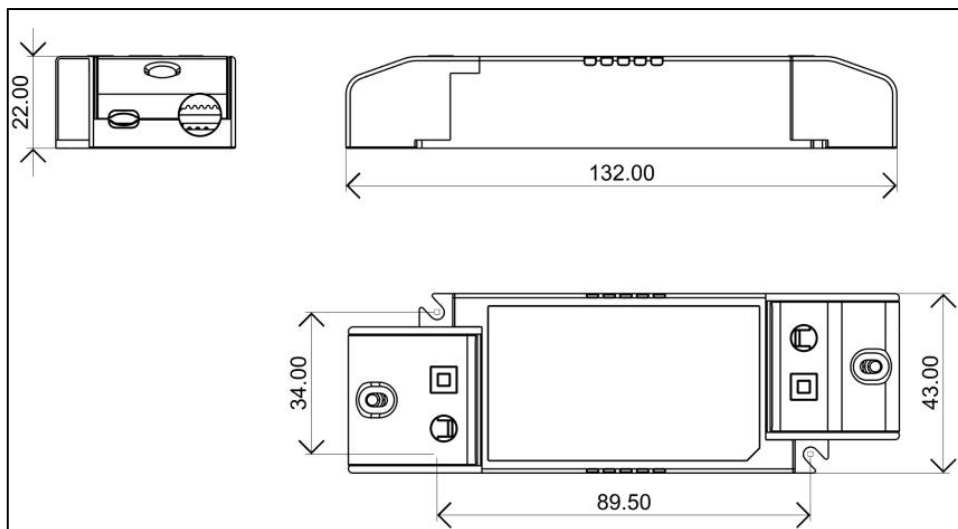
lighting.eaglerise.com

DZ-YF3-02-09A

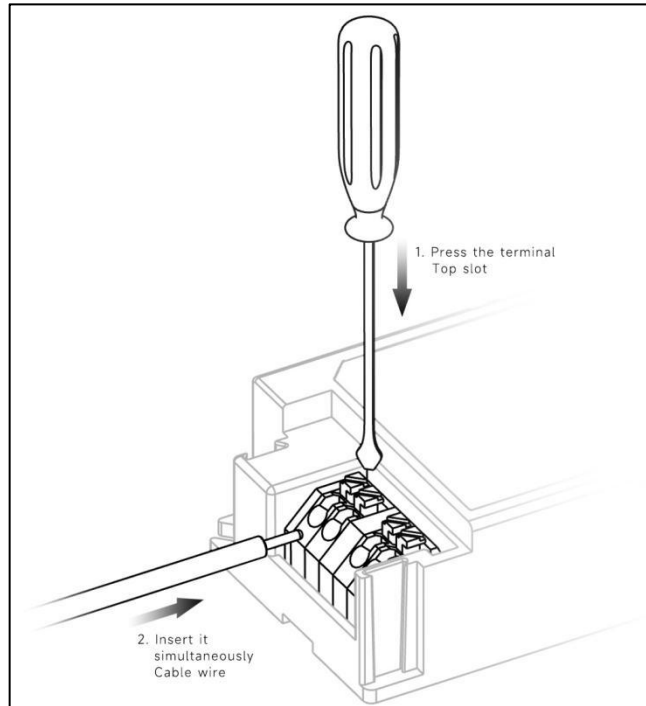
◆ **2D diagram**



With side caps



Termina

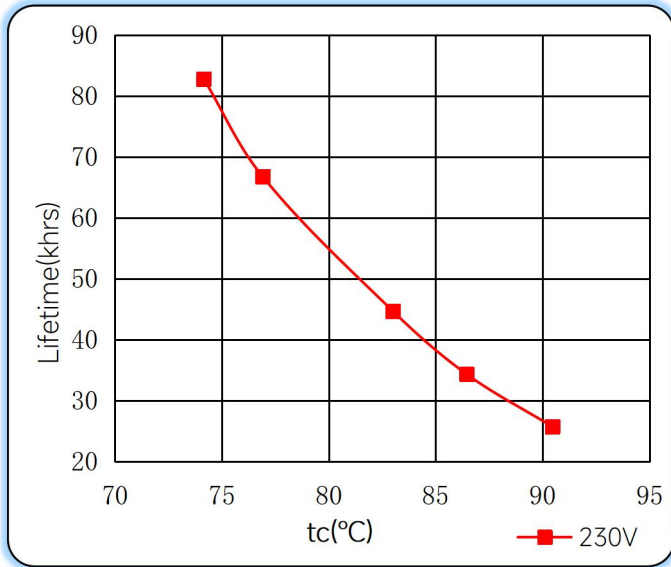


◆ Wiring & Connections

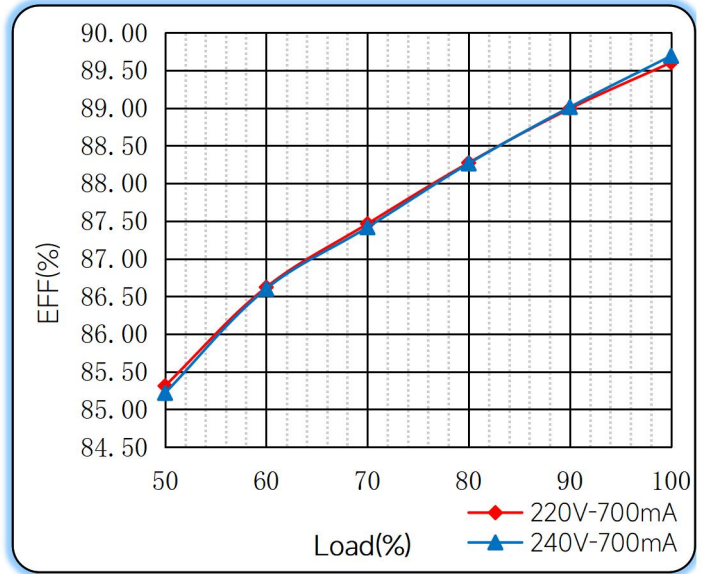
	Specification item	Value (Unit)
Input	Input wire cross-section	0.5...1.5 mm ² (With A side caps: 0.75...2.5 mm ²)
	Input wire gauge.	16...20 AWG (With A side caps: 14...20 AWG)
	Input wire strip length	7...9mm
Output	Output wire cross-section	0.5...1.5 mm ²
	Output wire gauge.	16...20 AWG
	Output wire strip length	7...9mm

◆ Curve for FLS-30-700 DALI-2 LD PRO, $I_o=700mA$

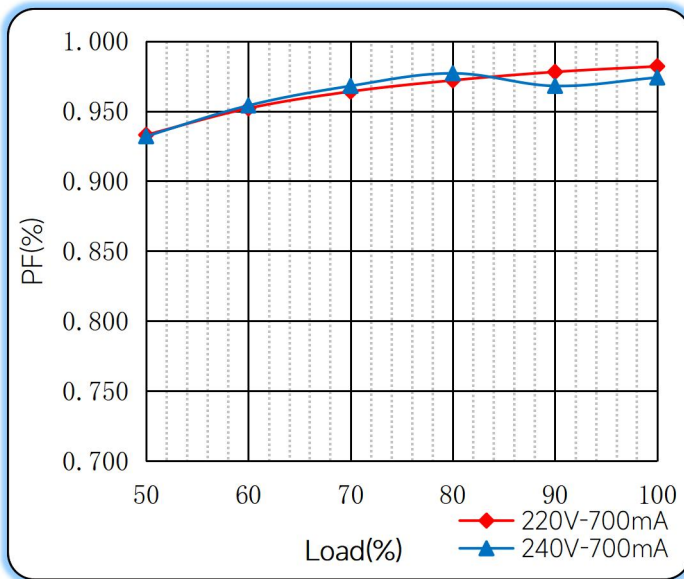
Lifetime vs. Temperature Curve



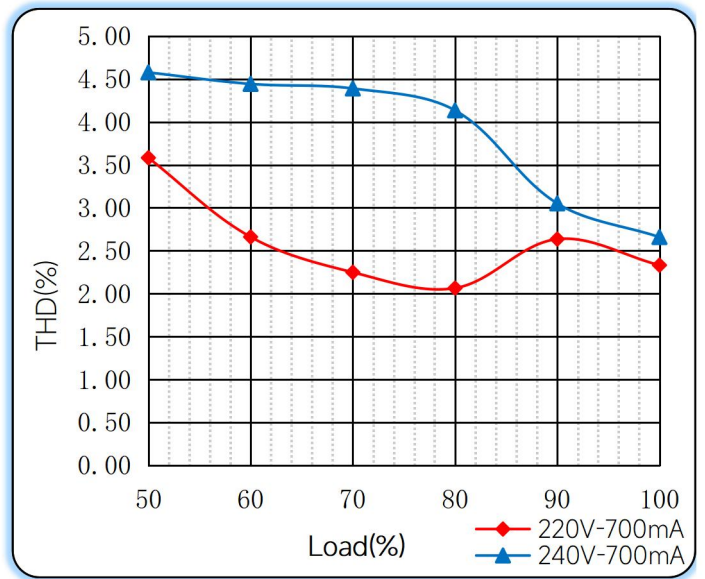
Efficiency vs. Load



Power Factor Characteristics



THD vs. Load



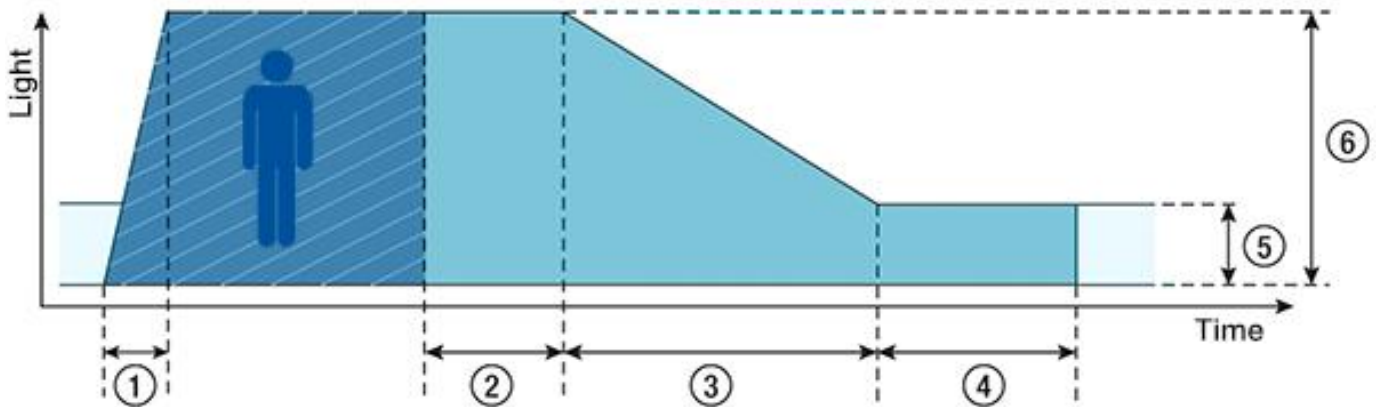
◆ Push dimming operation

Action	Action duration	Function
Short push	<0.5s	Turn on/off
Short push twice	<0.5s	LED on: Save current brightness level LED off: Delete saved level and turn on at 100% brightness
Short push five times	<3s	Quit Corridor mode
Long push	0.5-14s	Dimming up or down
Long push	15s-2mins	Sync all LEDs to be 100% brightness
Long push	>2mins	Enter Corridor mode - LED keep 100% brightness for 2mins. Then brightness will turn to be 10% within 32s if no action during 2mins 100% brightness.

Note:

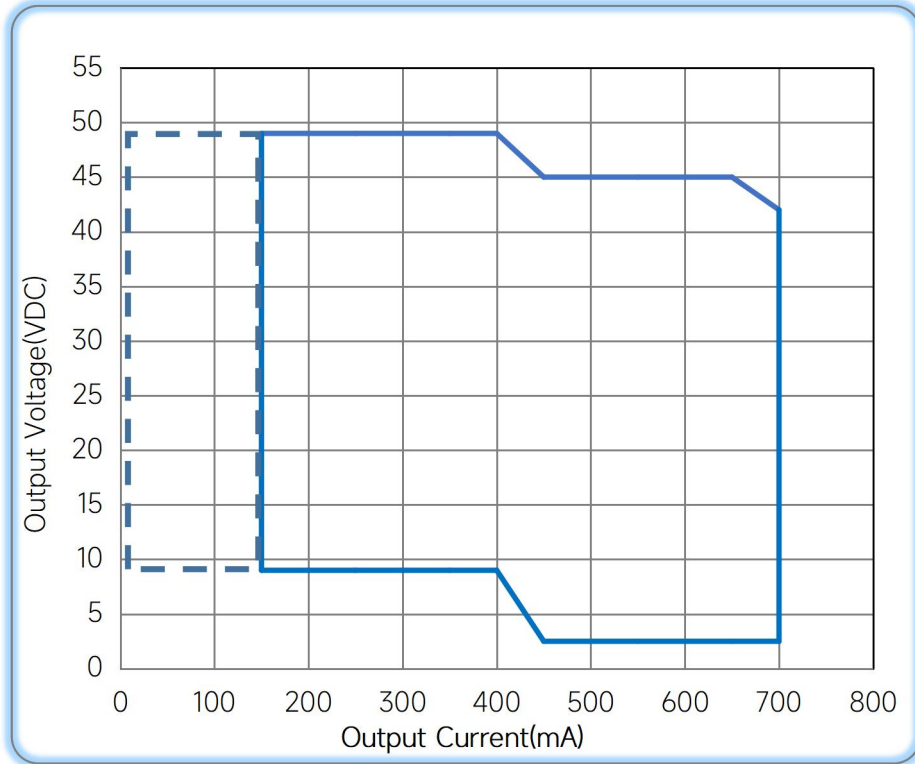
- 1.The factory default brightness is at 100%.
- 2.Up to 30 drivers can perform the PUSH dimming at the same time when utilizing one common push button
- 3.The maximum length of the cable from the push button to the last driver is 200 meters.

◆ Corridor mode



- ◆ ① **Fade-in time (0.5s)**: the time that starts as soon as the presence of a person is detected. During the fade-in time the luminous intensity is faded up to the presence value.
- ◆ ② **Run-on time (120s)**: the time that starts as soon as the presence of a person is no longer detected. If the presence of a person is detected again during the run-on time the run-on time is restarted from zero. If no presence is detected during the run-on time the fade time is started as soon as the run-on time expires.
- ◆ ③ **Fade time (32s)**: the time during which the luminous intensity is faded from the presence value to the absence value.
- ◆ ④ **Switch-off delay (Never Off)**: the time during which the absence value is held before the lighting is switched off. Depending on the profile selected the switch-off delay may have different values or may not be defined.
- ◆ ⑤ **Absence value (default: 10 %)**: the luminous intensity when there is no person present.
- ◆ ⑥ **Presence value (default: 100 %)**: the luminous intensity when persons are present.

◆ Operating window



Operating Window 100%

Minimum dimming current

◆ Revision Updates

ITEM	BEFORE	AFTER	VERSION	DATE
Initial			A	2023/04/24
Specification		Updated	B	2023/06/27
Life time	> 50000h,@Tc=85°C	> 50000h,@Tc=80°C	C	2023/09/06

Remark: The final interpretation of the contents of the specification belongs to Eaglerise Electric & Electronic (China) Co., Ltd.

Tel: +86-0757-86256822, +86-0757-86256831

E-mail: sales@eaglerise.com

Website : <https://lighting.eaglerise.com>



EAGLERISE



Manual