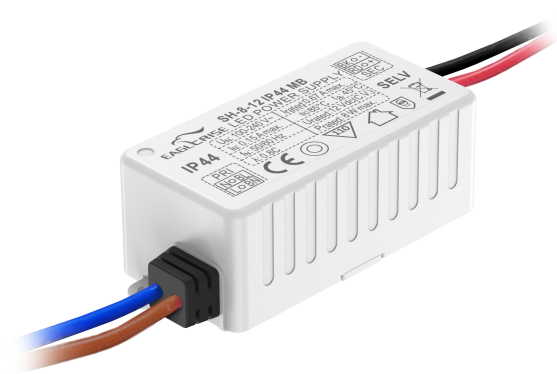


8W Constant Voltage-SH Series



■ Approve

CE SELV

Features

- Class II, SELV, built-in
- IP44 Ingress protection
- Input Voltage 100-240VAC
- Protections: SCP/OLP/OTP
- Power Factor 0.8C
- Efficiency $\geq 75\%$
- 5 years warranty

Applications

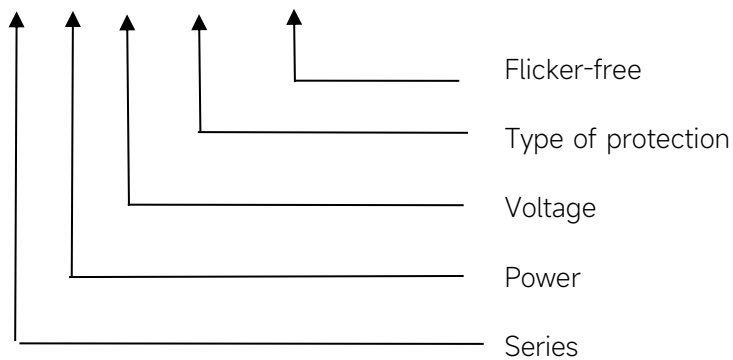
- LED strips

◆ Description

SH-8-xx IP44 MB is an 8W constant voltage LED driver that operates from 90-264Vac input with 12V or 24V output voltage. With it's slim dimensions from 72 x 30 x 23.5 mm it is easy to integrate in LED strips products. To ensure trouble-free operation, protection is provided against output short circuit, over Load and over temperature.

◆ Model code

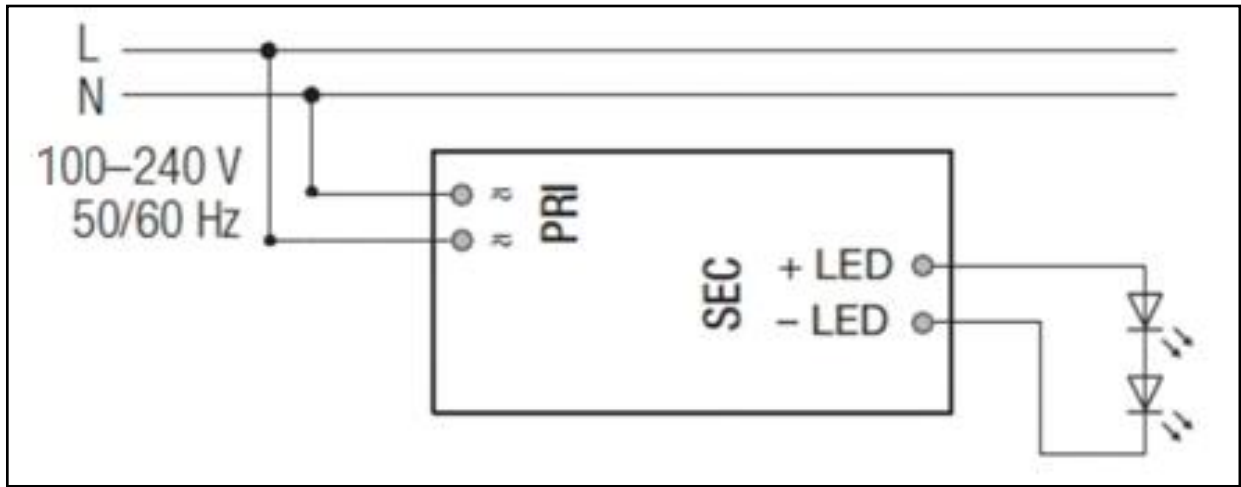
SH-8-XX IP44 MB



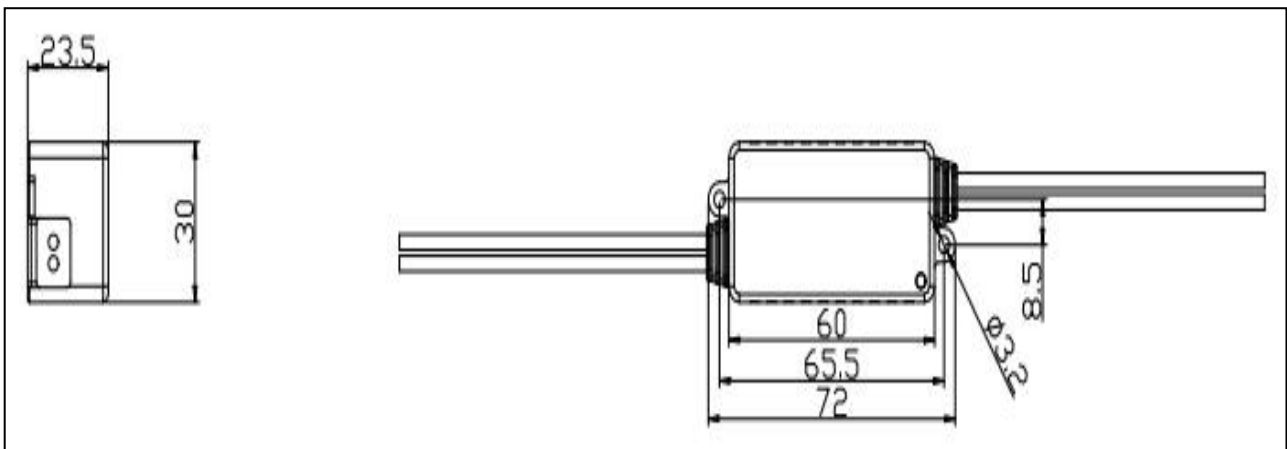
◆ Specification

Output	Constant Voltage	12VDC	24VDC
	Current Range	0-0.67A	0-0.34A
	Voltage Accuracy	±5%	
	Output HF current ripple(≥1KHz)	≤±3%	
	Output LF current ripple(≤120Hz)	≤±3%	
	SVM	≤0.4	
	Pst	≤1	
	Efficiency(Typ.)	≥75%	
Input	Rated input voltage	100-240VAC	
	Range of input voltage	90-264VAC	
	Frequency(Hz)	50/60 Hz	
	Displacement factor	≥0.5	
	Power Factor	0.8C	
	Input Current max	0.15A	
	Start-up time	< 0.5S	
	No Load Power	≤0.5W	
	THD (Typ.)	<50%	
Protection	Over Load Protection	105-150%	YES/Auto Resume
	Short circuit Protection	YES/Auto Resume	
	Over Temperature Protection	YES/Auto Resume	
Environment	Operating Temperature	-20°C~+45°C	
	Humidity	20%-90%RH	
	Tc	80°C	
	Storage Temperature	-20°C~+60°C	
	Life time	> 50000h@Tc=80°C	
Surface	Dimension	72X30X23.5(LXWXH)mm	
standards	EN 61347-1; EN61347-2-13; EN62384; EN55015; EN61000-3-2 ; EN61000-3-3; EN 61547;		
Others	ErP	EU 2019/2020	
	RoHS	RoHS (2011/65/EU) (EU)2015/863	
Note	<p>1.All parameters NOT specially mentioned are measured at 230VAC input , full load and 25°C of ambient temperature.</p> <p>2.Ripple & Noise are measured at 20MHz of bandwidth by using a 300mm twisted pair-wire terminated with a 0.1uF & 47 uF parallel capacitor.</p>		

◆ Wiring diagram

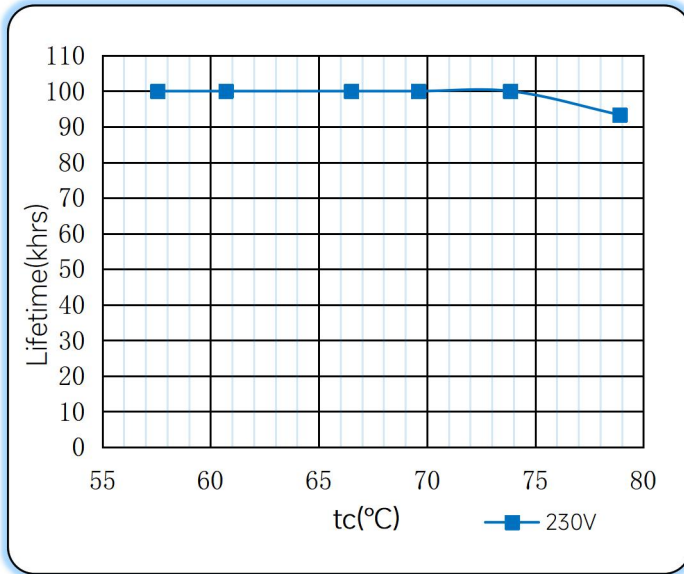


◆ 2D diagram

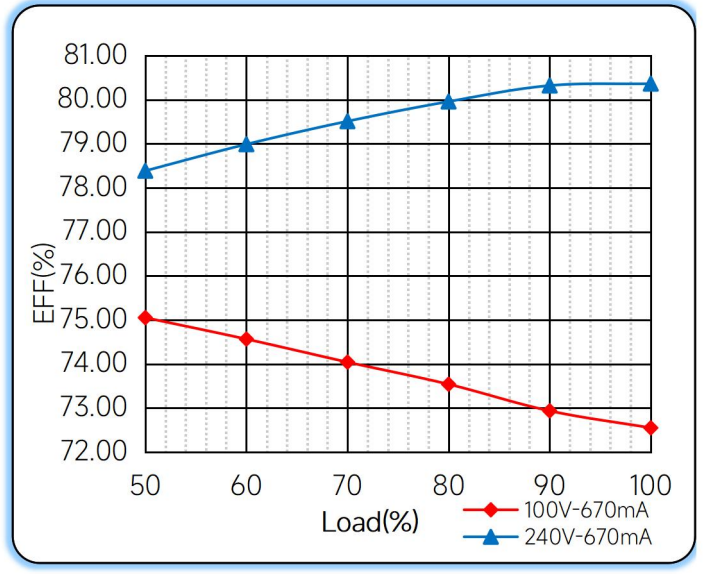


◆ **Curve for SH-8-12 IP44 MB**

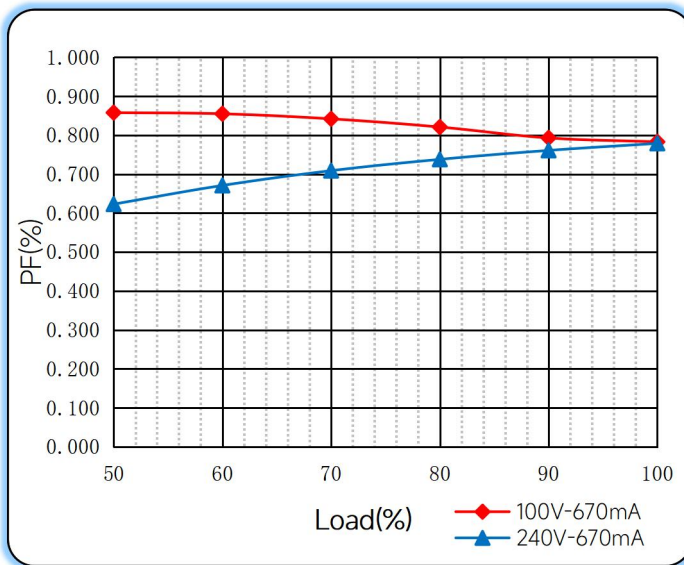
Lifetime vs. Temperature Curve



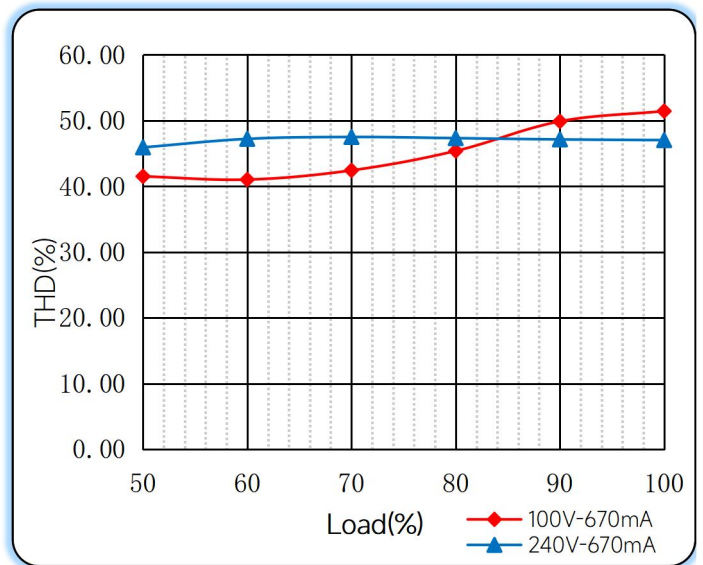
Efficiency vs. Load



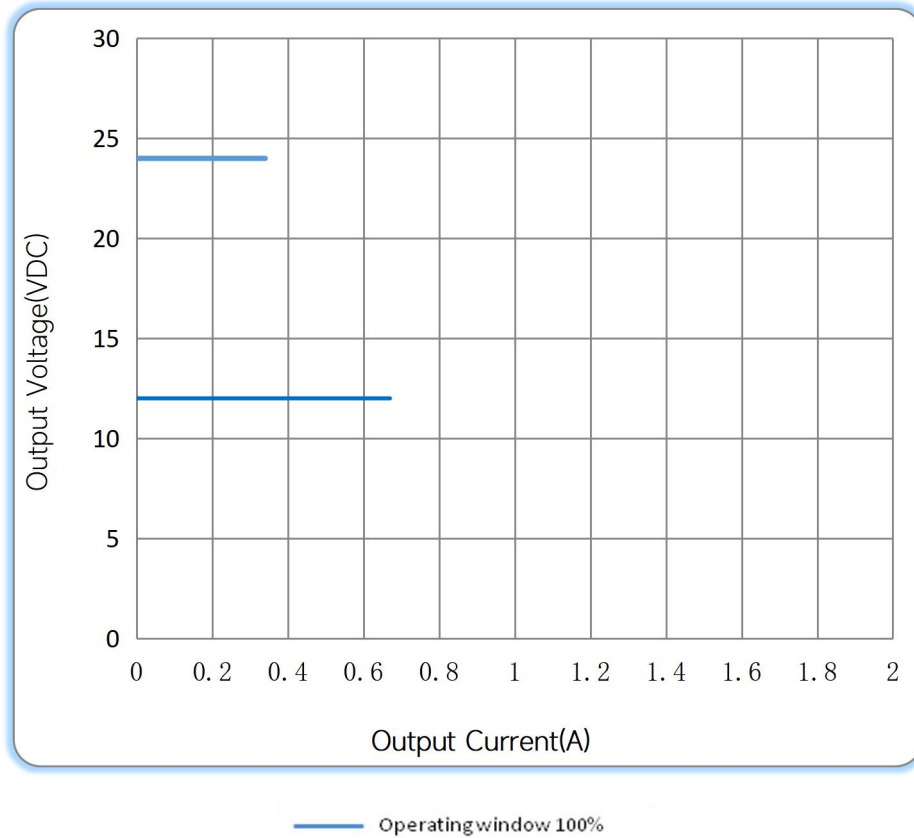
Power Factor Characteristics



THD vs. Load



◆ Operating window



◆ Revision Updates

ITEM	BEFORE	AFTER	VERSION	DATE
Initial			A	2022/05/15

Tel: +86-0757-86256822, +86-0757-86256831

E-mail: sales@eaglerise.com

Website : <https://lighting.eaglerise.com>



EAGLERISE



Manual