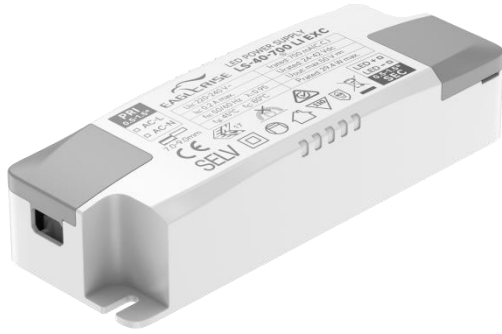


40W Constant Current power supply



Features

- Class II, SELV, Independent
- Input Voltage: 220-240VAC
- Protections: SCP/OLP/OVP
- Power Factor: 0.95
- Efficiency: 89%
- 5 years warranty
- IP20

Applications

- LED panel, LED down light
- LED spot light

Approve

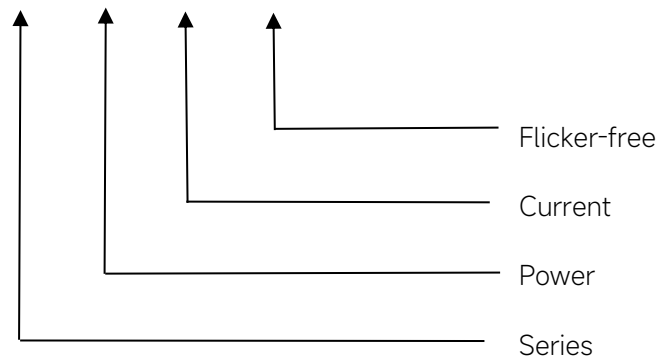


◆ Description

LS-40-XXX LI EXC is a 40W constant current LED driver with 600 to 1050mA output current. With its compact dimensions from 116 x 41 x 26mm. It is easy to integrate in LED Panel, spot and down lights product. To ensure trouble-free operation, protection is provided against output short circuit and over Load.

◆ Model code

LS-40-XXX LI EXC



◆ Specification

Output	Constant Current (mA)	600	650	700	750	800	850	900	950	1000	1050	
	Voltage Range(VDC)	24-42								24-40	24-38.5	
	Unload voltage Max.	50VDC										52VDC
	Current Accuracy	±5%										
	Output HF current ripple(≥1KHz)	±5%										
	Output LF current ripple(≤120Hz)	±5%										
	SVM	≤0.4										
	Pst	≤1										
	Efficiency(Typ.)	89%@Full load,230V										
Input	Rated input voltage	220-240VAC										
	Range of input voltage	176-264VAC										
	Rated input voltage(DC)	176-280VDC										
	Frequency(Hz)	50/60 Hz										
	Displacement factor	≥0.9										
	Power Factor	0.95@Full load,230V										
	Input Current max (mA)	170	190	200	220	230	250	260	270	270	290	
	Start-up time	< 0.5S										
	No Load Power	≤0.5W										
	Standby Power	≤0.5W										
	Protection	Over Load Protection	103-120%									
YES/Auto Resume												
Over Voltage Protection		50VDC										52VDC
		YES/Auto Resume										
Short circuit Protection		YES/Auto Resume										
Over Temperature Protection	YES/Auto Resume											
Environment	Operating Temperature	-20°C~+45°C										
	Humidity	20%-90%RH										
	Tc	80°C										
	Storage Temperature	-25°C~+60°C										
	Life time	> 50000h@Tc=75°C										
Surface	Dimension	116X41X26(LXWXH)mm										
Standards	EN 61547;EN 61347-1,EN 61347-2-13;IEC 61347-1,IEC 61347-2-13;GB 19510.1,GB 19510.14; GB/T 17743,GB 17625.1;EN 62384;EN IEC 55015,EN IEC 61000-3-2,EN 61000-3-3;IS 15885 (Part 2/Sec13)											
Others	ErP	EU 2019/2020										
	RoHS	RoHS (2011/65/EU) (EU)2015/863										

Note	<p>1.All parameters not specially mentioned are measured at 230VAC input , full load and 25°C of ambient temperature.</p> <p>2.Ripple & Noise are measured at 20MHz of bandwidth by using a 300mm twisted pair-wire terminated with a 0.1uF & 47 uF parallel capacitor.</p> <p>3.Data are typical values obtained from test samples</p> <p>4.Switch and dimmer are not recommended to connect between this product output and luminaires.</p> <p>5.The series BIS certification includes 600、700、800、900、1000、1050mA.</p>
------	---

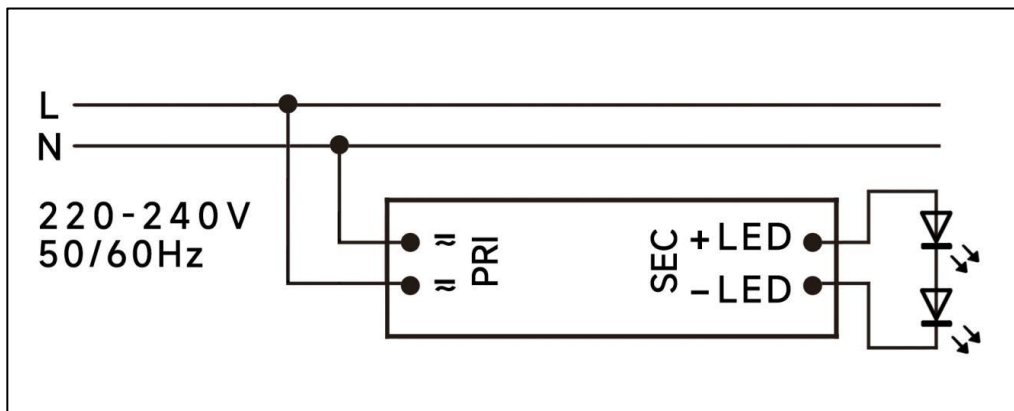
◆ Model list

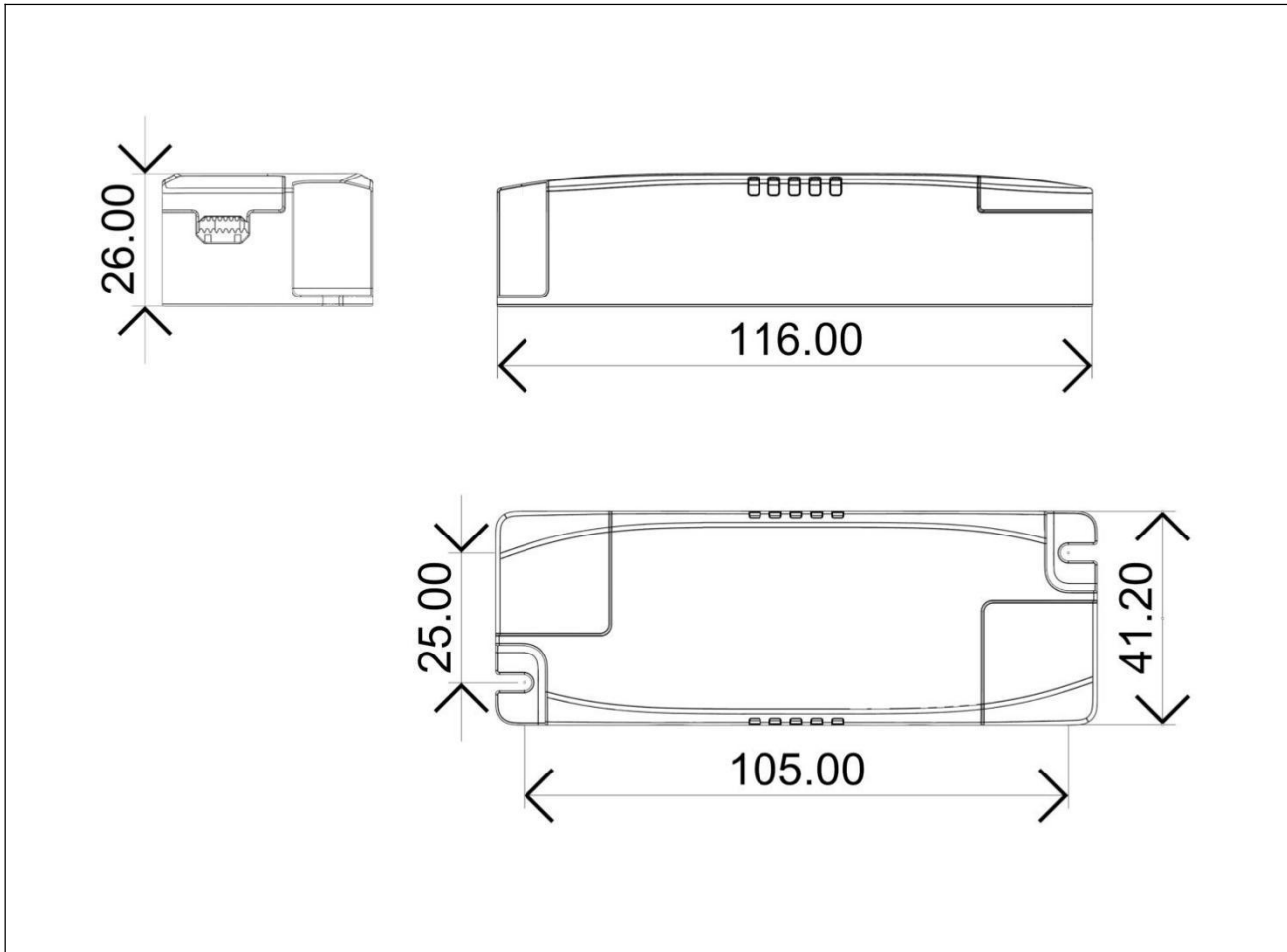
Number	Model number	Output			
		Current (mA)	Voltage (VDC)	Voltage No load (VDC)	Power (W)
1	LS-40-600 LI EXC	600	24-42	50	25.2
2	LS-40-650 LI EXC	650			27.3
3	LS-40-700 LI EXC	700			29.4
4	LS-40-750 LI EXC	750			31.5
5	LS-40-800 LI EXC	800			33.6
6	LS-40-850 LI EXC	850			35.7
7	LS-40-900 LI EXC	900			37.8
8	LS-40-950 LI EXC	950			39.9
9	LS-40-1000 LI EXC	1000	24-40	52	40
10	LS-40-1050 LI EXC	1050	24-38.5	52	40

◆ Circuit Breaker

I _{peak}	T _{width}	B10	B16	B20	C10	C16	C20
24.9A	142μs	23pcs	37pcs	47pcs	36pcs	58pcs	72pcs

◆ Wiring diagram

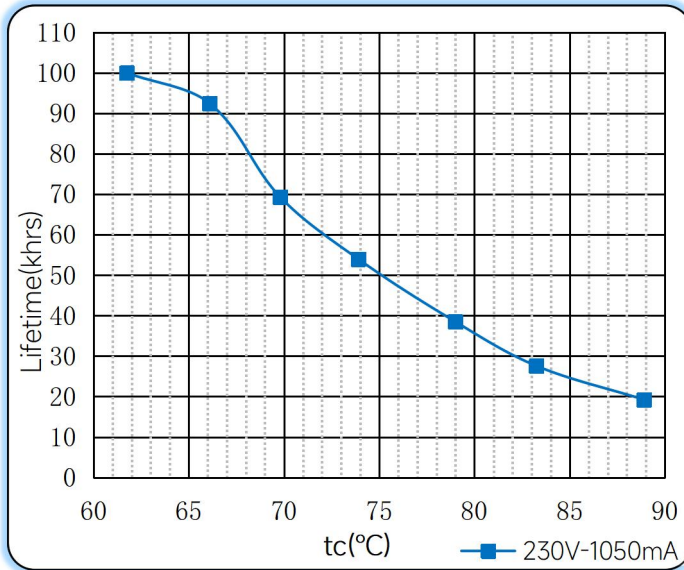


◆ 2D diagram

◆ Wiring & Connections

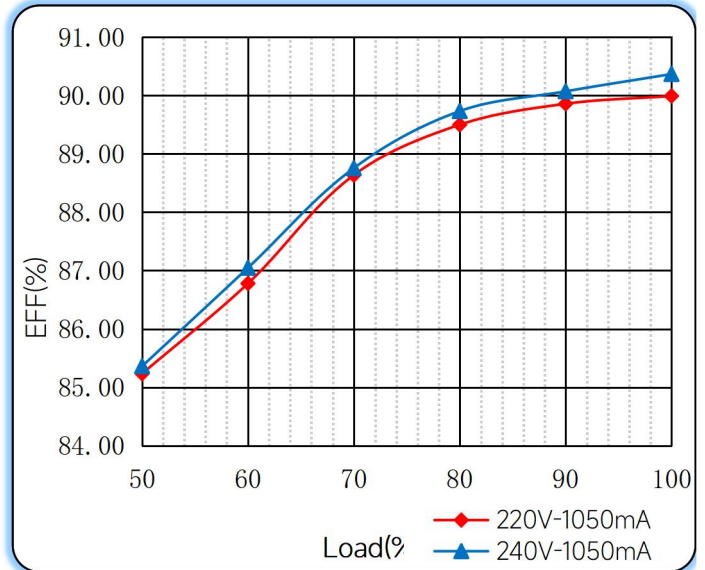
Specification item		Value (Unit)
Input	Input wire cross-section	0.5...1.5 mm ²
	Input wire gauge.	16...20 AWG
	Input wire strip length	7...9mm
Output	Output wire cross-section	0.5...1.5 mm ²
	Output wire gauge.	16...20 AWG
	Output wire strip length	7...9mm

◆ **Curve for LS-40-1050 LI EXC, I_o=1050mA**

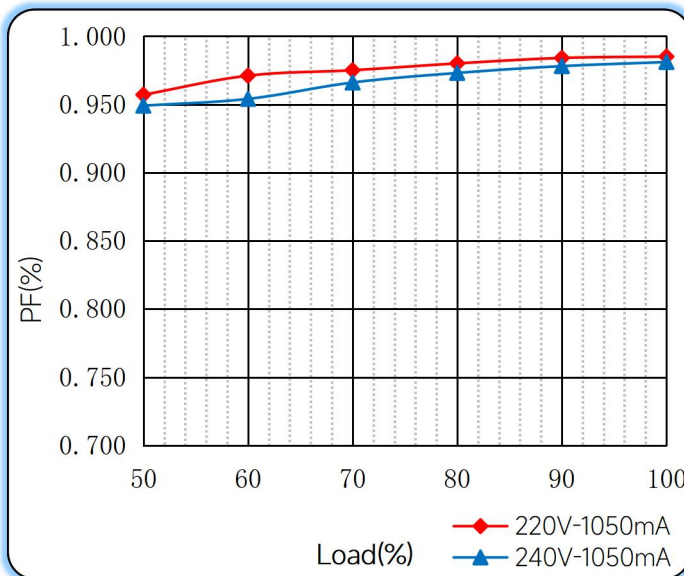
Lifetime vs. Temperature Curve



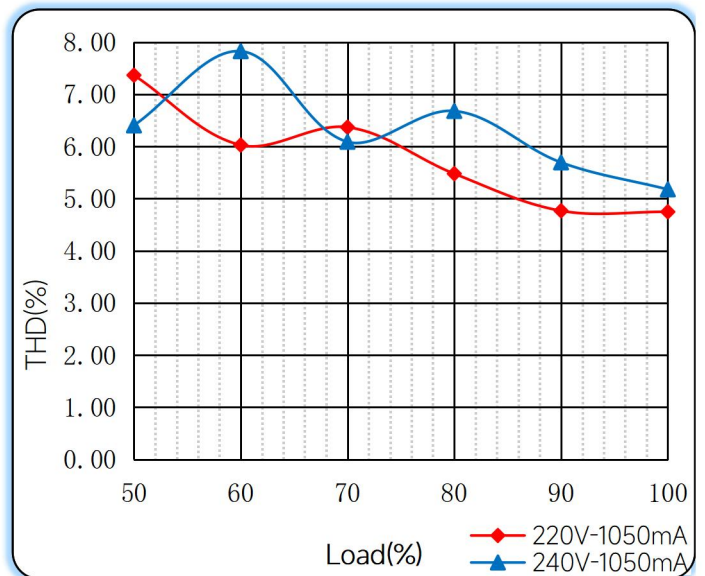
Efficiency vs. Load



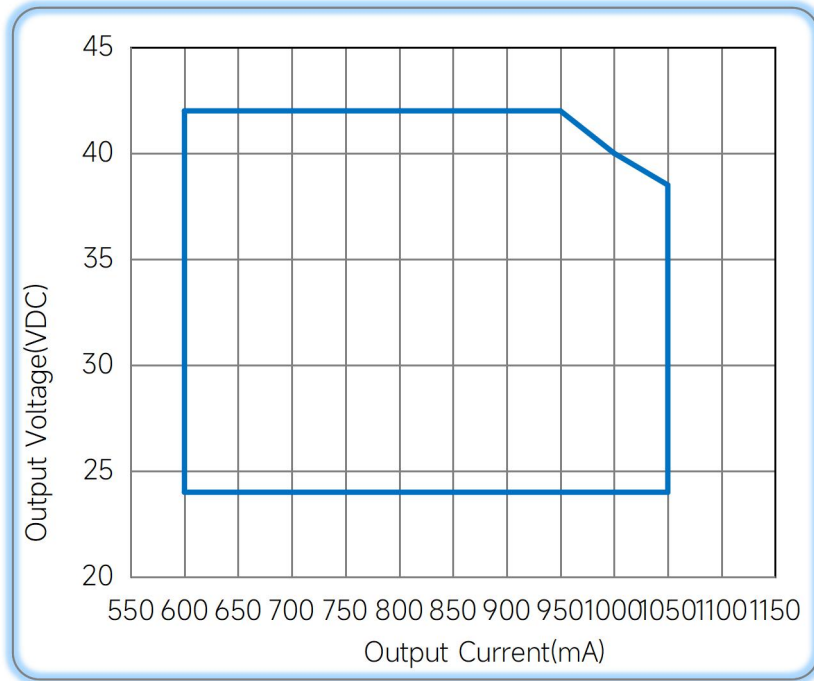
Power Factor Characteristics



THD vs. Load



◆ Operating window



— Operating window 100%

◆ Revision Updates

ITEM	BEFORE	AFTER	VERSION	DATE
Initial			A	2022/12/26

Tel: +86-0757-86256822, +86-0757-86256831

E-mail: sales@eaglerise.com

Website : <https://lighting.eaglerise.com>



EAGLERISE



Manual