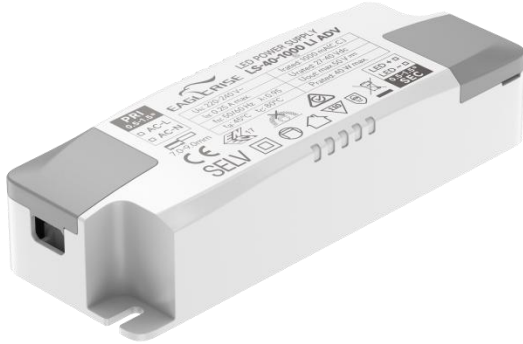


40W Constant Current power supply



Features

- Class II, SELV, Independent
- Input Voltage: 220-240VAC
- Protections: SCP/OLP/OVP
- Power Factor: 0.95
- Efficiency: 91-93%
- 5 years warranty
- IP40

Applications

- LED panel, LED down light
- LED spot light

■ Approve

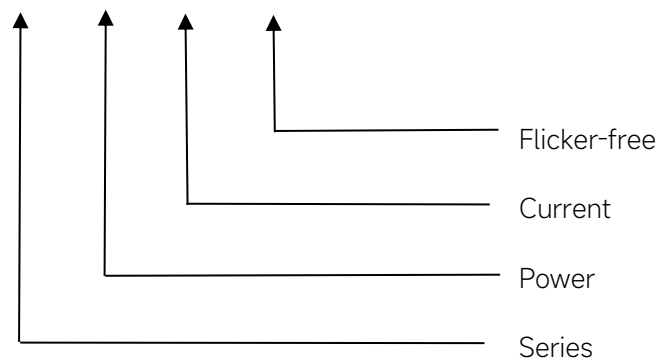


◆ Description

LS-40-XXX LI ADV is a 40W constant current LED driver with 600 to 1050mA output current. With its compact dimensions from 116 x 41 x 26mm. It is easy to integrate in LED Panel, spot and down lights product. To ensure trouble-free operation, protection is provided against output short circuit and over Load.

◆ Model code

LS-40-XXX LI ADV



◆ Specification

Output	Constant Current (mA)	600	650	700	750	800	850	900	950	1000	1050	
	Voltage Range(VDC)	30-40									30-38.5	
	Unload voltage Max.	59VDC										
	Current Accuracy	±5%										
	Output HF current ripple(≥1KHz)	±5%										
	Output LF current ripple(≤120Hz)	±5%										
	SVM	≤0.4										
	Pst	≤1										
	Efficiency(Typ.)	91-93%										
Input	Rated input voltage	220-240VAC										
	Range of input voltage	198-264VAC										
	Frequency(Hz)	50/60 Hz										
	Displacement factor	≥0.9										
	Power Factor	0.95										
	Input Current max (mA)	170	190	200	220	230	250	260	270	270	290	
	Start-up time	< 0.5S										
	No Load Power	≤0.5W										
	THD (Typ.)	<10%										
Protection	Over Load Protection	103-140%										
		YES/Auto Resume										
	Over Voltage Protection	59VDC										
		YES/Auto Resume										
	Short circuit Protection	YES/Auto Resume										
	Over Temperature Protection	YES/Auto Resume										
capability	Surge capability (L-N)	1KV										
	Surge capability (L/N-Ground)	2KV										
Environment	Operating Temperature	-20°C~+45°C										
	Humidity	20%-90%RH										
	Tc	80°C										
	Storage Temperature	-25°C~+60°C										
	Life time	> 50000h@Tc=70°C										
	Ripple&Noise	≤20dB(A)@10cm										
Surface	Dimension	116X41X26(LXWXH)mm										
	material	PC										
Standards	Safety	GB19510. 1, GB19510. 14; IEC61347- 1, IEC61347-2- 13; EN 60598-2-22;										
	EMC	GB/T17743, GB17625. 1; EN55015, EN61000-3-2, EN61000-3-3, EN61547;										
	Energy Efficiency	Erp2.0 EU 2019/2020										
	RoHS	RoHS (2011/65/EU) (EU)2015/863										

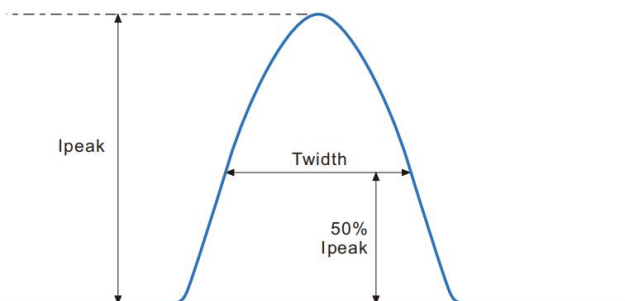
Note	1.All parameters not specially mentioned are measured at 230VAC input , full load and 25°C of ambient temperature.
	2.Ripple & Noise are measured at 20MHz of bandwidth by using a 300mm twisted pair-wire terminated with a 0.1uF & 47 uF parallel capacitor.
	3.Switch and dimmer are not recommended to connect between this product output and luminaries.

◆ Model list

Number	Model number	Output			
		Current (mA)	Voltage (VDC)	Voltage No load (VDC)	Power (W)
1	LS-40-600 LI ADV	600	30-40	59	24
2	LS-40-650 LI ADV	650			26
3	LS-40-700 LI ADV	700			28
4	LS-40-750 LI ADV	750			30
5	LS-40-800 LI ADV	800			32
6	LS-40-850 LI ADV	850			34
7	LS-40-900 LI ADV	900			36
8	LS-40-950 LI ADV	950			38
9	LS-40-1000 LI ADV	1000			40
10	LS-40-1050 LI ADV	1050	30-38.5	40.4	

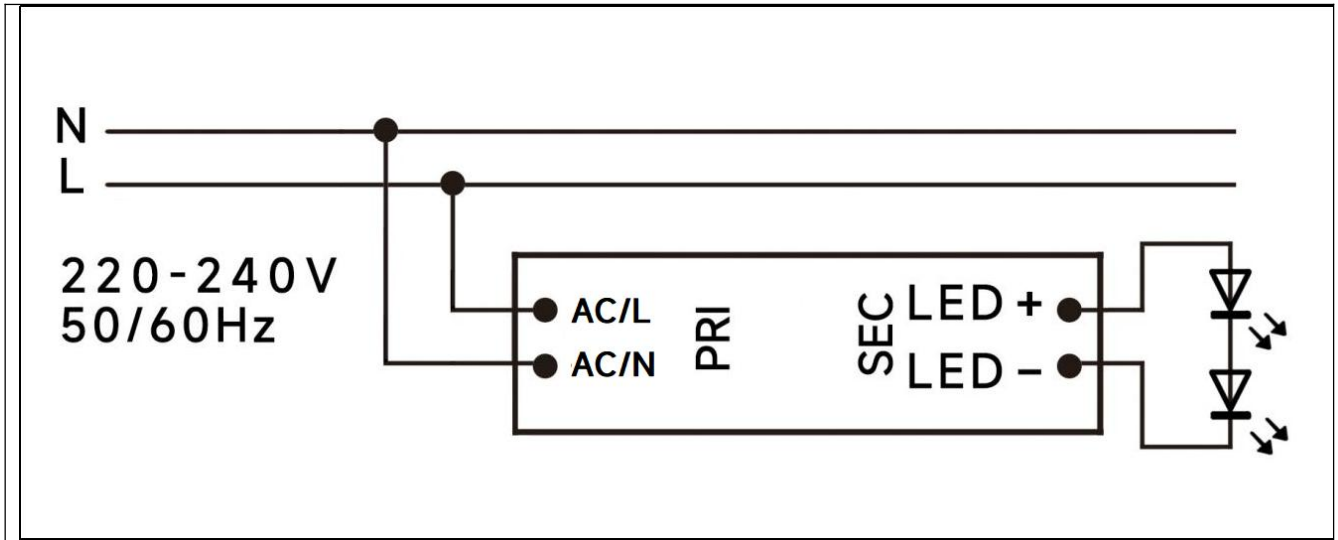
◆ Inrush Current

I _{peak}	T _{width}	B10	B16	B20	C10	C16	C20
25A	144μs	23pcs	37pcs	46pcs	27pcs	44pcs	55pcs



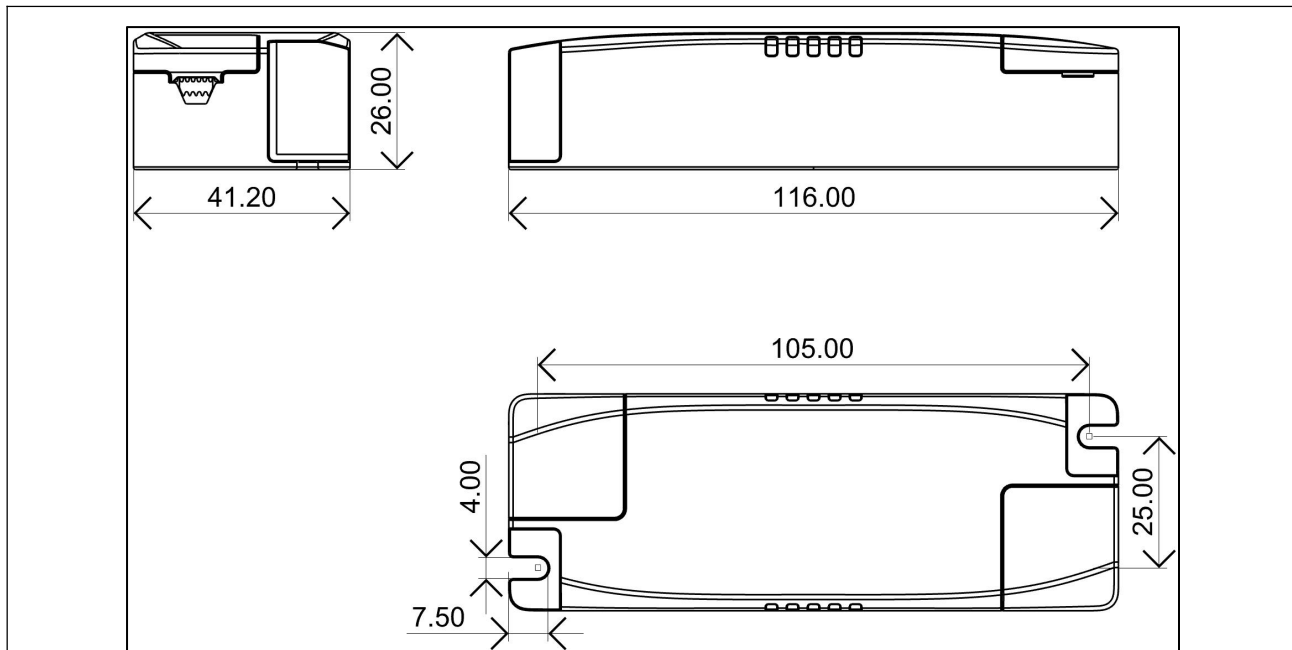
Remarks:

- 1.The number of drives mounted under different MCBs in the table is the maximum value. Please do not exceed this number during installation.
- 2.Different brands and models of miniature circuit breakers, the number of drives mounted will be slightly different.

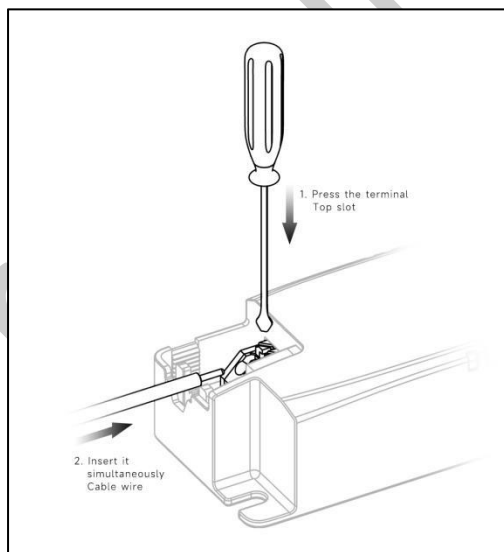
◆ Wiring diagram

Preliminary

◆ 2D diagram



Termina



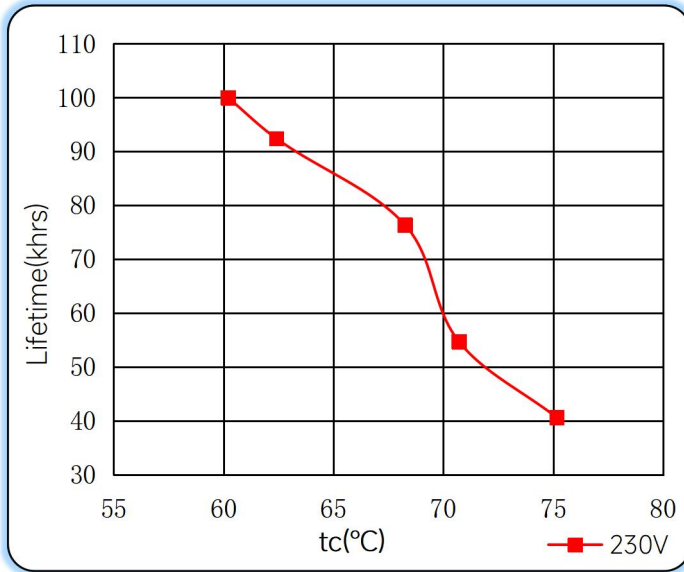
◆ Wiring & Connections

	Specification item	Value (Unit)
Input	Input wire cross-section	0.5...1.5 mm ²
	Input wire gauge.	16...20 AWG
	Input wire strip length	7...9mm
Output	Output wire cross-section	0.5...1.5 mm ²
	Output wire gauge.	16...20 AWG
	Output wire strip length	7...9mm

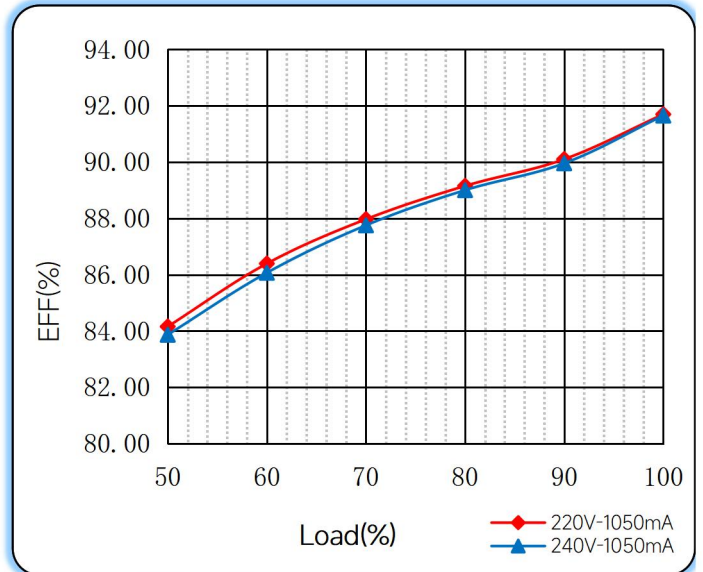
Preliminary

◆ **Curve for LS-40-1050 LI ADV, I_o=1050mA**

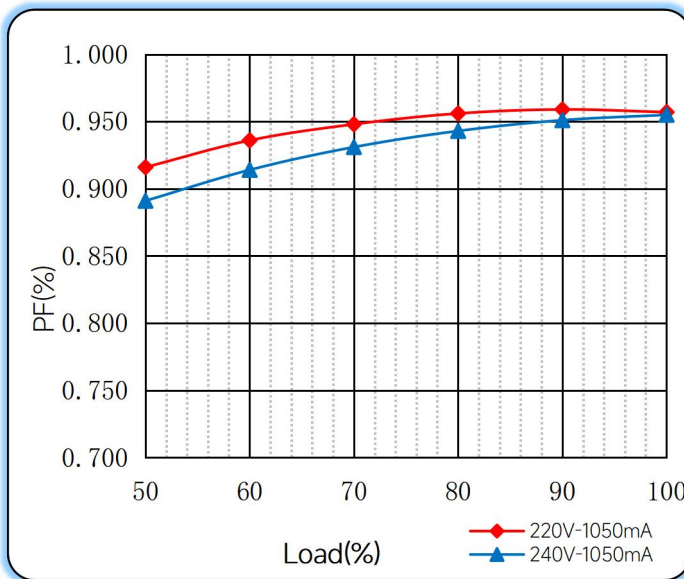
Lifetime vs. Temperature Curve



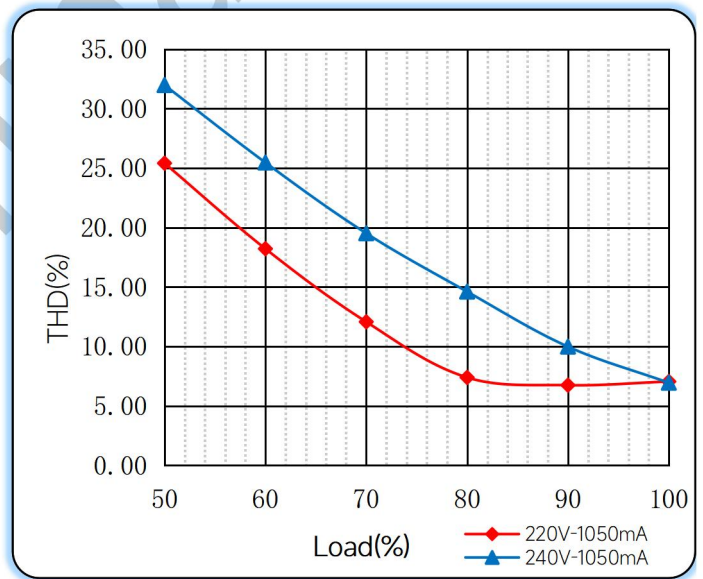
Efficiency vs. Load



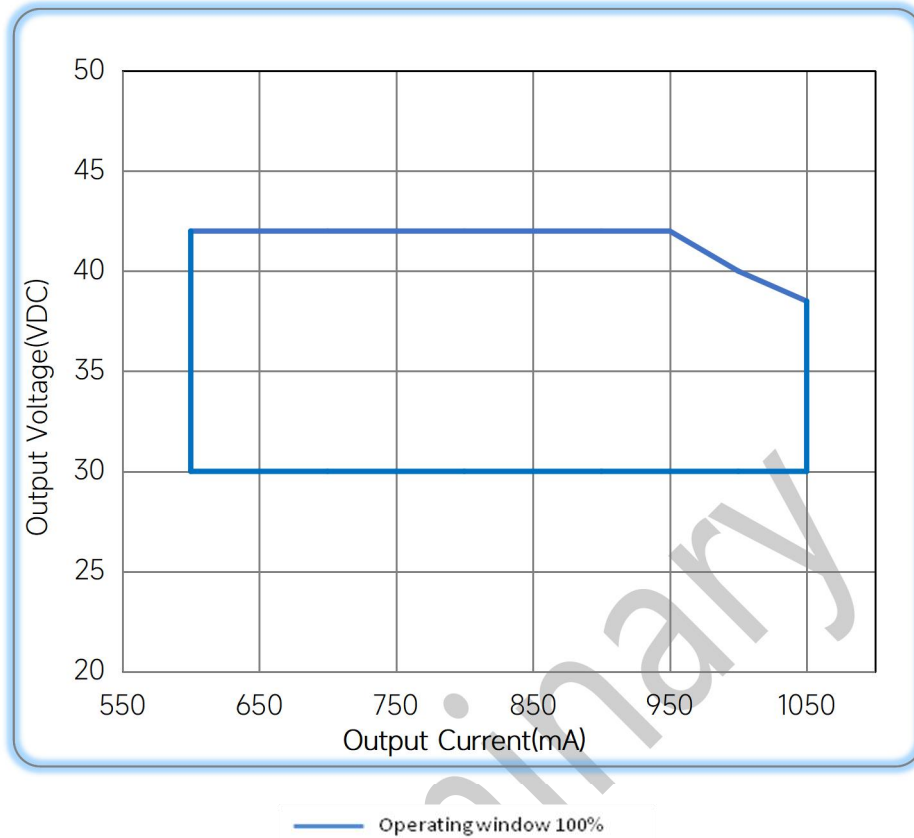
Power Factor Characteristics



THD vs. Load



◆ **Operating window**



◆ **Revision Updates**

ITEM	BEFORE	AFTER	VERSION	DATE
Initial			A	2023/07/12
PF,Tc		update	B	2023/11/23

Remark: The final interpretation of the contents of the specification belongs to Eaglerise Electric & Electronic (China) Co., Ltd.

Tel: +86-0757-86256822, +86-0757-86256831

E-mail: sales@eaglerise.com

Website : <https://lighting.eaglerise.com>



EAGLERISE



Manual