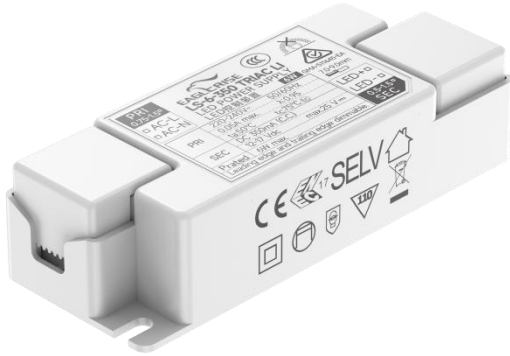


6W Triac Dimming power supply



■ Approve



Features

- Class II, SELV, independent
- Input Voltage: 220-240VAC
- Protections: SCP/OLP/OVP
- Power Factor: 0.95
- Efficiency: 74%
- 5 years warranty
- IP20

Applications

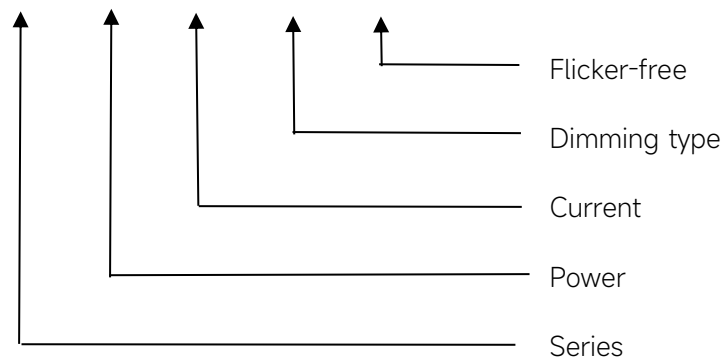
- LED panel, LED down light
- LED spot light

◆ Description

LS-6-XXX TRIAC LI is a 6W constant current LED driver that operates from 198-264Vac input with 150mA to 350mA output current. With it's compact dimensions from 100 x 38 x 25mm it is easy to integrate in LED panel, pendant light and down light products. To ensure trouble-free operation, protection is provided against output short circuit and over Load.

◆ Model code

LS-6-XXX TRIAC LI



◆ Specification

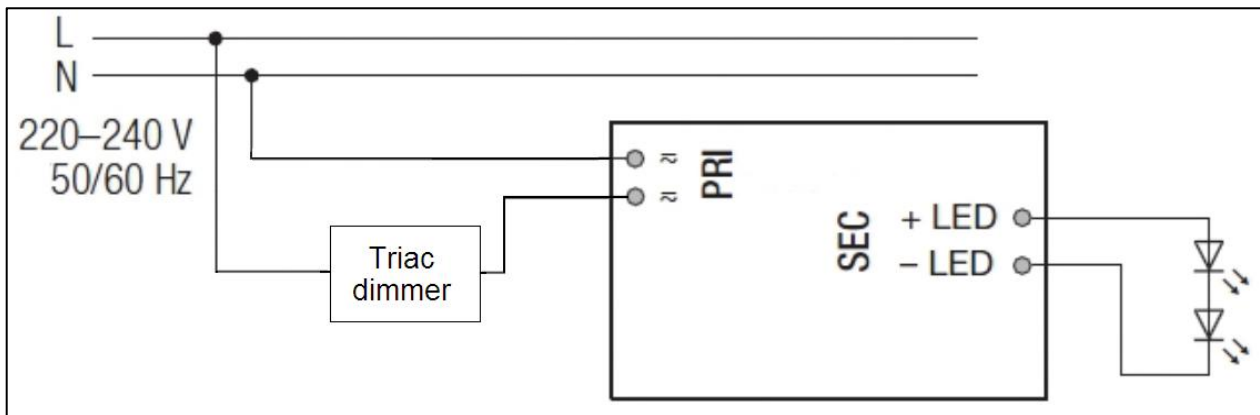
Output	Constant Current (mA)	150mA	200mA	350mA
	Voltage Range(VDC)	27-42V	20-30V	12-17V
	Unload voltage Max.(VDC)	50V	40V	25V
	Current Accuracy	±5%			
	Output HF current ripple(≥1KHz)	±5%			
	Output LF current ripple(≤120Hz)	±5%			
	SVM	<0.4			
	P _{st}	<1			
	Efficiency(Typ.)	≥74%			
Input	Rated input voltage(VAC)	220-240VAC			
	Range of input voltage(VAC)	198-264VAC			
	Frequency(Hz)	50/60 Hz			
	Displacement factor	≥0.9			
	Power Factor	0.95±0.05			
	Input Current max	0.05A MAX.			
	Start-up time	< 0.5S			
	No Load Power	≤1W			
	THD (Typ.)	< 25% @Full Load,230VAC			
Dimming	Dimming	YES			
	Dimming mode	Triac, Leading edge & trailing edge dimmable			
	Dimming depth	10%			
	Dimming current range	10 ~ 100%			
Protection	Over Load Protection	103-120% YES/Latch off			
	Over Voltage Protection	>50VDC	>40VDC	...	>25VDC
	Short circuit Protection	YES/Latch off			
Environment	Operating Temperature	-20°C...+50°C			
	Humidity	20%-90%RH			
	T _c	75°C			
	Storage Temperature	-25°C...+60°C			
	Life time	> 30,000h@ta=50°C			
Surface	Dimension	100X38X25 (LXWXH)mm			
standards	EN 61347-1,EN 61347-2-13;GB 19510.1,GB 19510.14;EN 62384;EN IEC 55015,EN IEC 61000-3-2,EN 61000-3-3;GB/T 17743,GB 17625.1;EN 61547				
Others	ErP	EU 2019/2020			
	RoHS	RoHS (2011/65/EU) (EU)2015/863			

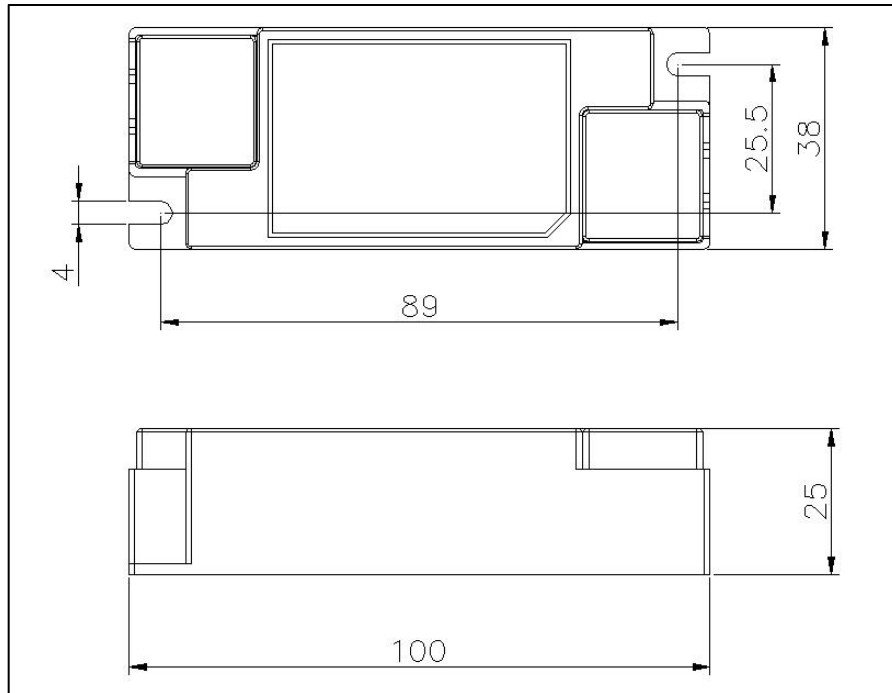
Note	1.All parameters NOT specially mentioned are measured at 230VAC input , full load and 25°C of ambient temperature.
	2.Ripple & Noise are measured at 20MHz of bandwidth by using a 300mm twisted pair-wire terminated with a 0.1uF & 47 uF parallel capacitor.

◆ Model list

No.	Model number	Input		Output			Max. Prated(W)
		Voltage (VAC)	Max.Current (A)	Constant current (mA)	Normal working voltage (VDC)	No load working voltage (VDC)	
1	LS-6-150 TRIAC LI	220-240	0.05	150	27-42	50	6.3
2	LS-6-200 TRIAC LI			200	20-30	40	6
3	LS-6-250 TRIAC LI			250	16-24	34	6
4	LS-6-300 TRIAC LI			300	13-20	30	6
5	LS-6-350 TRIAC LI			350	12-17	25	6

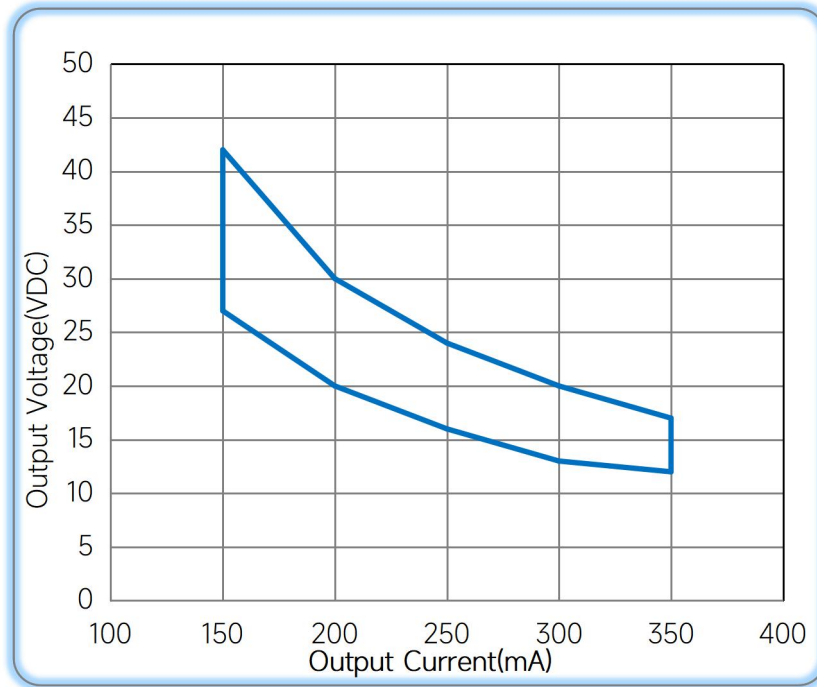
◆ Wiring diagram



◆ 2D diagram

◆ Wiring & Connections

	Specification item	Value (Unit)
Input	Input wire cross-section	0.75...1.5 mm ²
	Input wire gauge.	16...20 AWG
	Input wire strip length	7...9mm
Output	Output wire cross-section	0.5...1.5 mm ²
	Output wire gauge.	16...20 AWG
	Output wire strip length	7...9mm

◆ Operating window



— Operating window 100%

◆ Revision Updates

ITEM	BEFORE	AFTER	VERSION	DATE
Initial			A	2022/05/15

Tel: +86-0757-86256822, +86-0757-86256831

E-mail: sales@eaglerise.com

Website : <https://lighting.eaglerise.com>



EAGLERISE



Manual