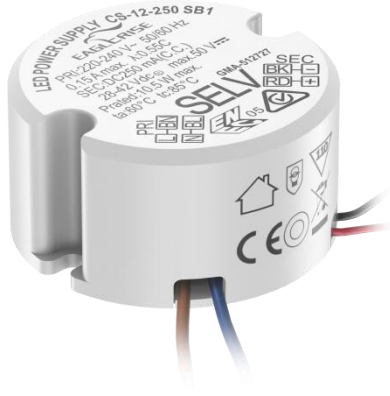
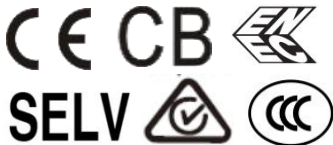


12W Constant Current -CS Series



■ Approve



Features

- Class II, SELV, Built-in
- Input Voltage: 220-240VAC
- Protections: SCP/OLP/OVP
- Power Factor: 0.55C
- Efficiency: ≥83%
- 5 years warranty

Applications

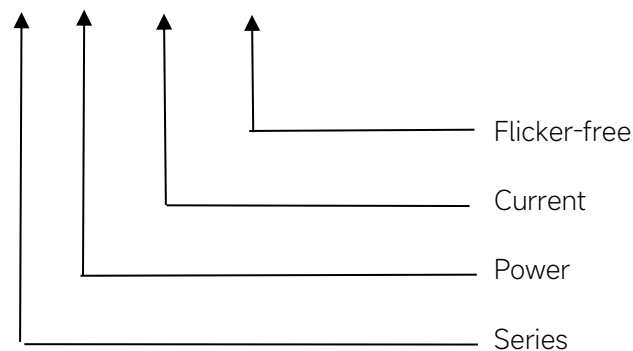
- LED spot light, LED wall light

◆ Description

CS-12-XXX SB1 is a 12W constant current LED driver with 250mA or 300mA output current. With its compact dimensions from $\Phi 42 \times 22$ mm. It is easy to integrate in LED down light, LED wall light products. To ensure trouble-free operation, protection is provided against output short circuit and over Load.

◆ Model code

CS-12-XXX SB1



◆ Specification

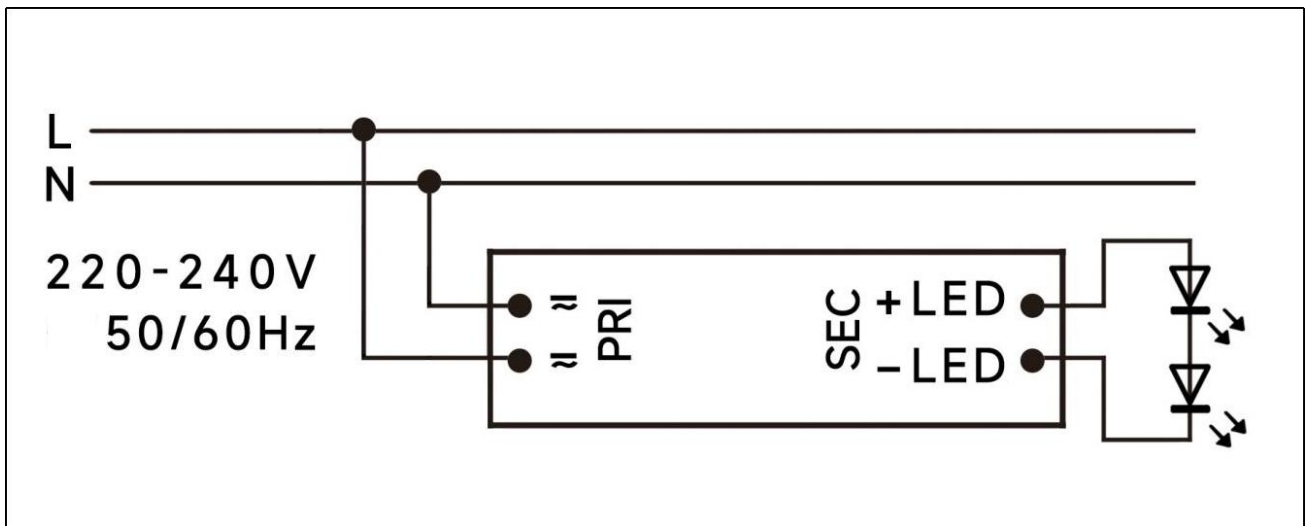
	Constant Current	250mA	300mA
Output	Voltage Range	28-42VDC	
	Unload voltage Max.	50VDC	
	Current Accuracy	±10%	
	Output HF current ripple(≥1KHz)	±3%	
	Output LF current ripple(≤120Hz)	±3%	
	SVM	≤0.4	
	Pst	≤1	
	Efficiency(Typ.)	≥83%@Full Load, 230VAC	
	Input	Rated input voltage	220-240VAC
Range of input voltage		198-264VAC	
Frequency(Hz)		50/60 Hz	
Displacement factor		≥0.9	
Power Factor		0.55C@Full Load, 230VAC	
Input Current max		0.15A	0.18A
Start-up time		< 0.5S	
No Load Power		≤0.5W	
Protection	Over Load Protection	103-120%	YES/Auto Resume
	Over Voltage Protection	>50VDC	YES/Auto Resume
	Short circuit Protection	YES/Auto Resume	
Environment	Operating Temperature	-20°C~+60°C	
	Humidity	20%-90%RH	
	Tc	85°C	
	Storage Temperature	-25°C~+60°C	
	Life time	> 30,000h@ta=60°C	
Surface	Dimension	Φ42X22(DXH)mm	
Standards	IEC61347- 1, IEC61347-2- 13;EN61347- 1, EN61347-2- 13;GB/T17743,GB19510. 1, GB19510. EN61347- 1, EN61347-2- 13, EN62384;14;EN55015, EN61000-3-2, EN61000-3-3, EN61547		
Others	ErP	EU 2019/2020	
	RoHS	RoHS (2011/65/EU) (EU)2015/863	
Note	1.All parameters not specially mentioned are measured at 230VAC input , full load and 25°C of ambient temperature. 2.Ripple & Noise are measured at 20MHz of bandwidth by using a 300mm twisted pair-wire terminated with a 0.1uF & 47 uF parallel capacitor. 3.Switch and dimmer are not recommended to connect between this product output and luminaries.		

◆ Model list

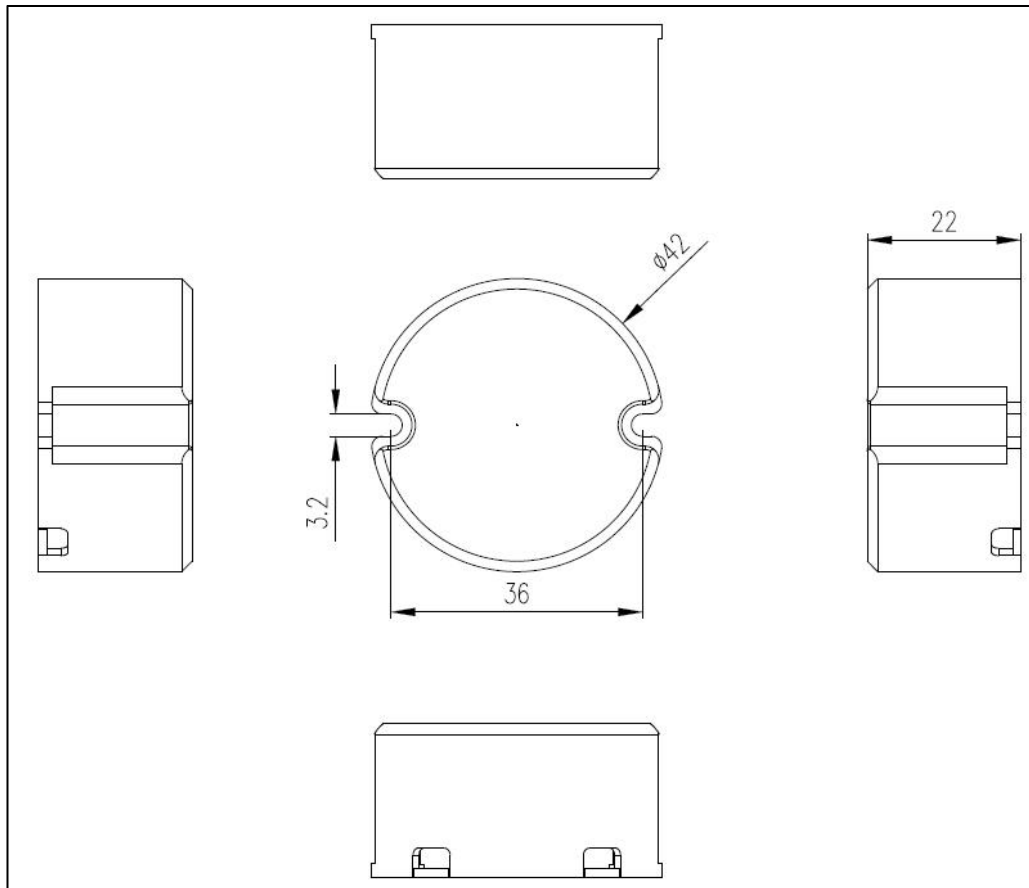
NO.	Model number	Input			Output			Max.Prated(W)
		Voltage (VAC)	Current (A)	Frequency (Hz)	Constant current (mA)	Normal working voltage (VDC)	No load working voltage (VDC)	
1	CS-12-250 SB1	220-240	0.15	0/50/60	250	28-42	50	10.5
2	CS-12-300 SB1		0.18		300			12.6

* Factory default

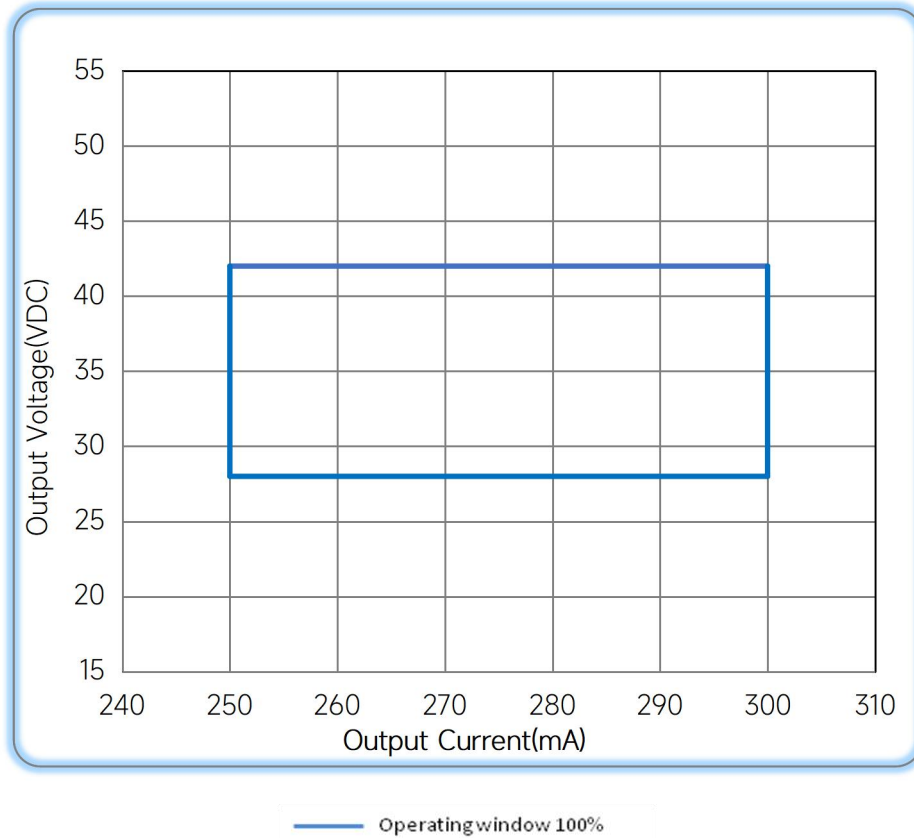
◆ Wiring diagram



◆ 2D diagram



◆ **Operating window**



◆ **Revision Updates**

ITEM	BEFORE	AFTER	VERSION	DATE
Initial			A	2022/05/15

Tel: +86-0757-86256822, +86-0757-86256831

E-mail: sales@eaglerise.com

Website : <https://lighting.eaglerise.com>



EAGLERISE



Manual