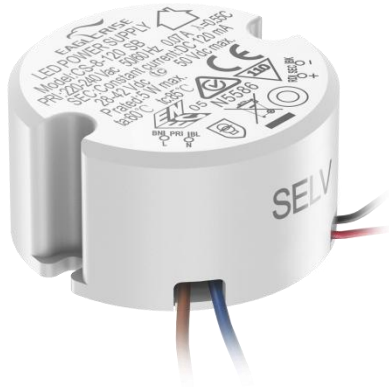
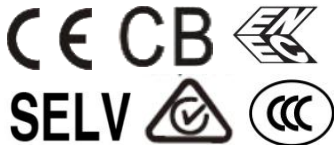


8W Constant Current -CS Series



■ Approve



Features

- Class II, SELV, Built-in
- Input Voltage: 220-240VAC
- Protections: SCP/OLP/OVP
- Power Factor: 0.55C
- Efficiency: $\geq 83\%$
- 5 years warranty

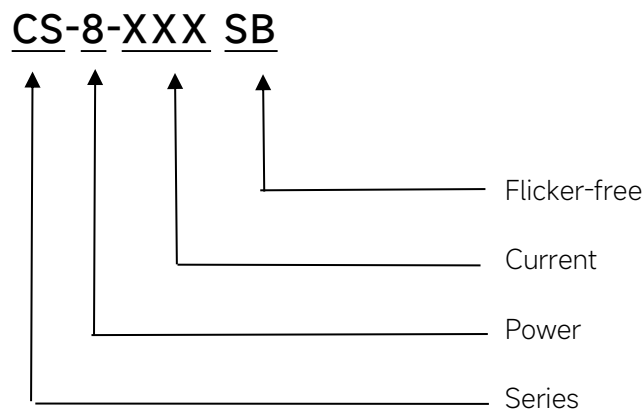
Applications

- LED down light, LED spot light
LED ceiling light

◆ Description

CS-8-XXX SB is a 8W constant current LED driver with 120mA to 200mA output current. With it's compact dimensions from $\Phi 42 \times 22$ mm. It is easy to integrate in LED down light, LED spot light, LED ceiling light products. To ensure trouble-free operation, protection is provided against output short circuit and over Load.

◆ Model code



◆ Specification

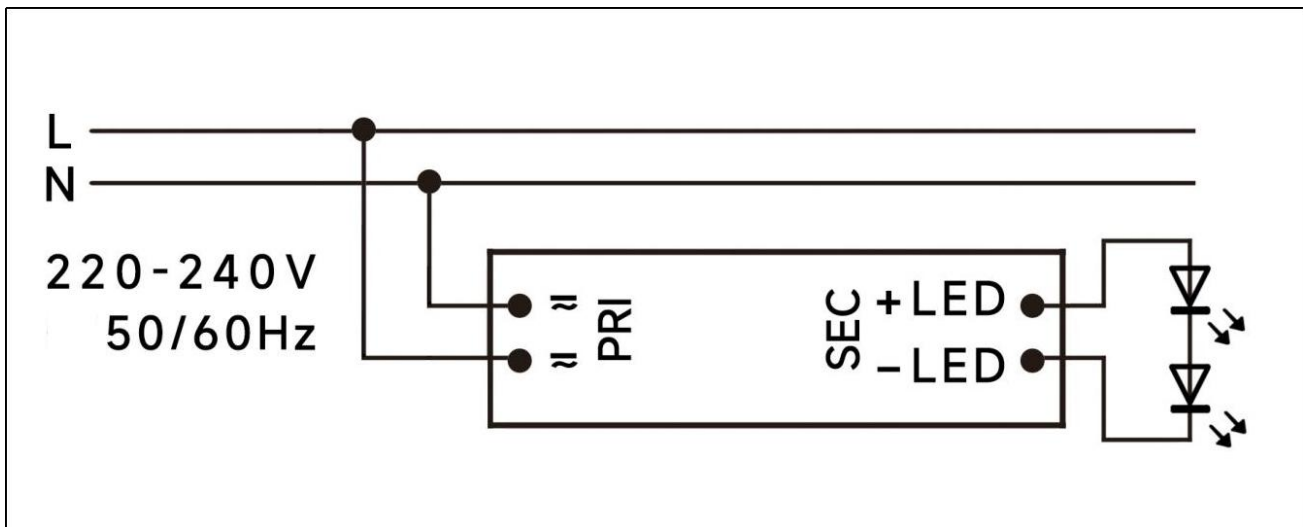
	Constant Current	120mA	150mA	180mA	200mA
Output	Voltage Range	28-42VDC			
	Unload voltage Max.	50VDC			
	Current Accuracy	±10%			
	Output HF current ripple(≥1KHz)	±3%			
	Output LF current ripple(≤120Hz)	±3%			
	SVM	≤0.4			
	Pst	≤1			
	Efficiency(Typ.)	≥83%@Full Load, 230VAC			
	Input	Rated input voltage	220-240VAC		
Range of input voltage		198-264VAC			
Frequency(Hz)		50/60 Hz			
Displacement factor		≥0.9			
Power Factor		0.55C@Full Load, 230VAC			
Input Current max		0.07A	0.09A	0.1A	0.12A
Start-up time		< 0.5S			
No Load Power		≤0.5W			
Protection	Over Load Protection	103-120%			
		YES/Auto Resume			
	Over Voltage Protection	>50VDC YES/Auto Resume			
Short circuit Protection	YES/Auto Resume				
Environment	Operating Temperature	-20°C~+60°C			
	Humidity	20%-90%RH			
	Tc	85°C			
	Storage Temperature	-25°C~+60°C			
	Life time	> 30,000h@ta=60°C; > 50,000h@ta=50°C			
Surface	Dimension	Φ42X22(DXH)mm			
Standards	IEC61347- 1, IEC61347-2- 13;EN61347- 1, EN61347-2- 13;GB/T17743,GB19510. 1, GB19510. EN61347- 1, EN61347-2- 13, EN62384;14;EN55015, EN61000-3-2, EN61000-3-3, EN61547				
Others	ErP	EU 2019/2020			
	RoHS	RoHS (2011/65/EU) (EU)2015/863			
Note	1.All parameters not specially mentioned are measured at 230VAC input , full load and 25°C of ambient temperature. 2.Ripple & Noise are measured at 20MHz of bandwidth by using a 300mm twisted pair-wire terminated with a 0.1uF & 47 uF parallel capacitor. 3.Switch and dimmer are not recommended to connect between this product output and luminaries.				

◆ Model list

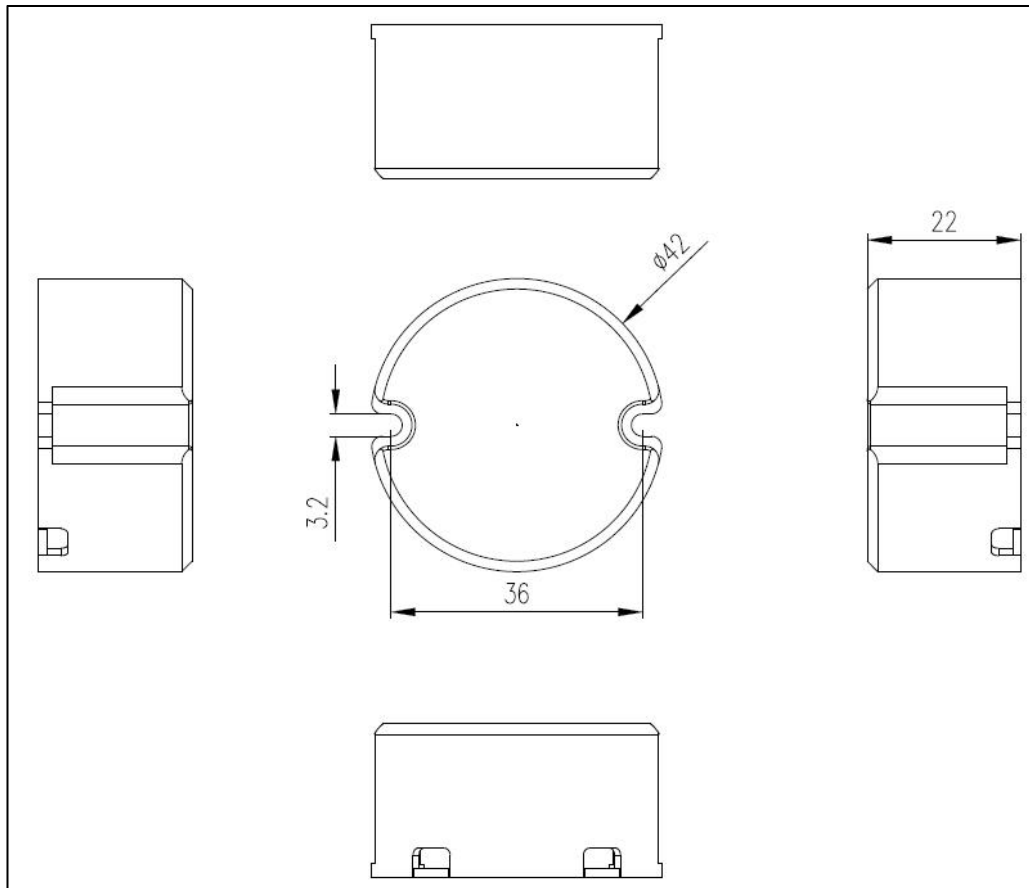
NO.	Model number	Input			Output			Max.Prated(W)
		Voltage (VAC)	Current (A)	Frequency (Hz)	Constant current (mA)	Normal working voltage (VDC)	No load working voltage (VDC)	
1	CS-8-120 SB	220-240	0.07	0/50/60	120	28-42	50	5.04W
2	CS-8-150 SB		0.09		150			6.3W
3	CS-8-180 SB		0.1		180			7.56W
4	CS-8-200 SB		0.12		200			8.4W

* Factory default

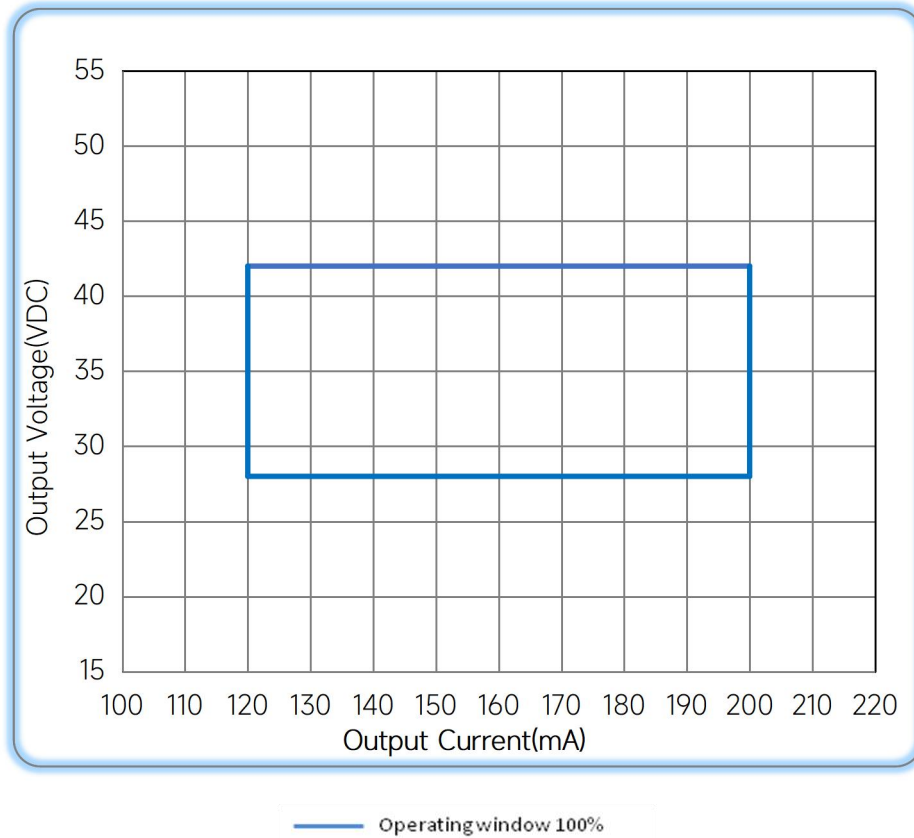
◆ Wiring diagram



◆ 2D diagram



◆ **Operating window**



◆ **Revision Updates**

ITEM	BEFORE	AFTER	VERSION	DATE
Initial			A	2022/05/15

Tel: +86-0757-86256822, +86-0757-86256831

E-mail: sales@eaglerise.com

Website : <https://lighting.eaglerise.com>



EAGLERISE



Manual