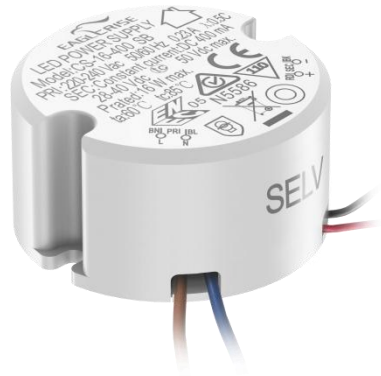
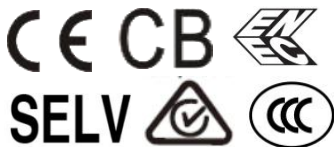


## 16W Constant Current -CS Series



■ Approve



### Features

- Class II, SELV, Built-in
- Input Voltage: 220-240VAC
- Protections: SCP/OLP/OVP
- Power Factor: 0.5C
- Efficiency:  $\geq 84\%$
- 5 years warranty

### Applications

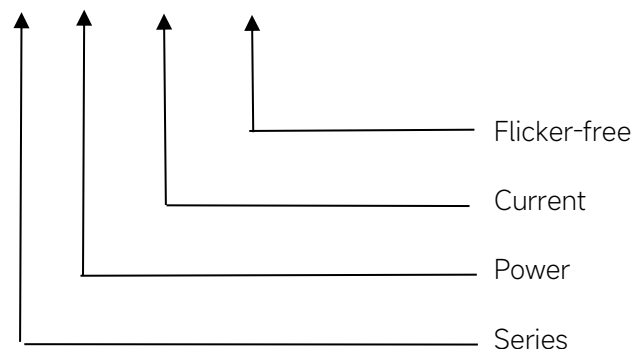
- LED spot light, LED wall light

### ◆ Description

CS-16-400 SB is a 16W constant current LED driver with 400mA output current. With its compact dimensions from  $\Phi 42 \times 22$ mm. It is easy to integrate in LED down light, LED wall light products. To ensure trouble-free operation, protection is provided against output short circuit and over Load.

### ◆ Model code

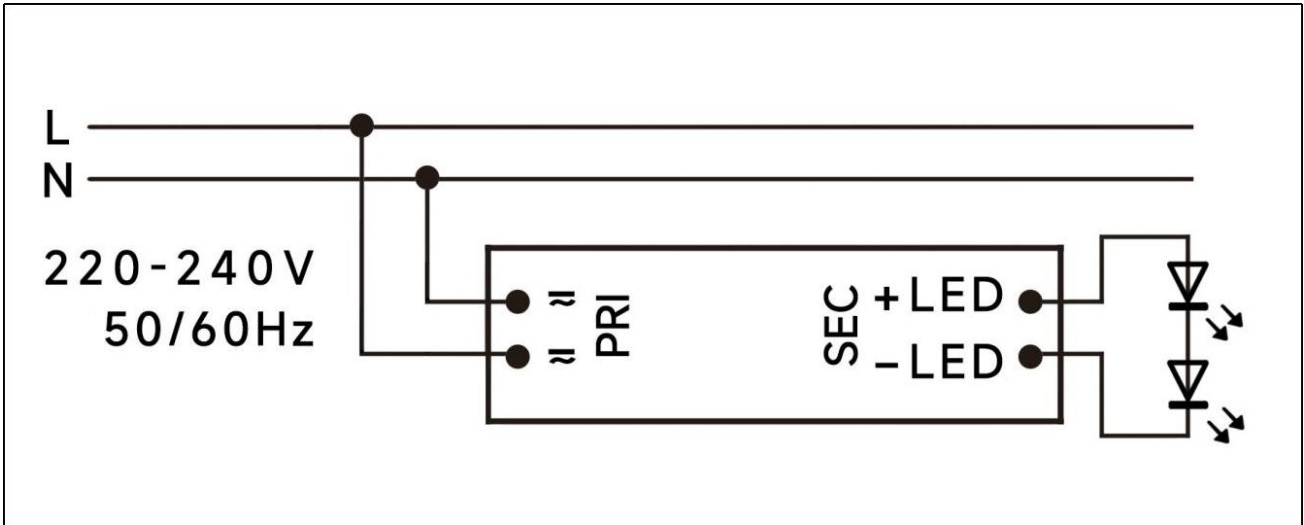
CS-16-400 SB



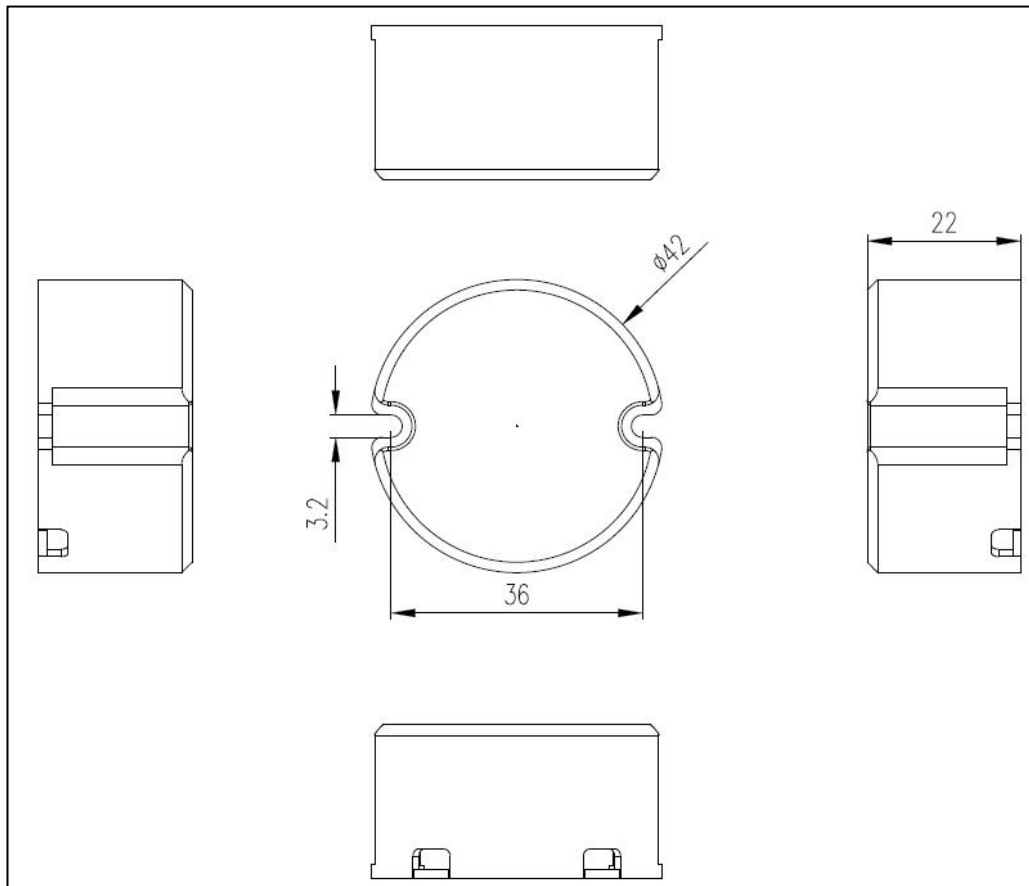
## ◆ Specification

Output	Constant Current	400mA
	Voltage Range	28-40VDC
	Unload voltage Max.	50VDC
	Current Accuracy	±5%
	Output HF current ripple(≥1KHz)	±3%
	Output LF current ripple(≤120Hz)	±3%
	SVM	≤0.4
	Pst	≤1
	Efficiency(Typ.)	≥84%@Full Load, 230VAC
Input	Rated input voltage	220-240VAC
	Range of input voltage	198-264VAC
	Frequency(Hz)	50/60 Hz
	Displacement factor	≥0.9
	Power Factor	0.5C@Full Load, 230VAC
	Input Current max	0.23A
	Start-up time	< 0.5S
	No Load Power	≤0.5W
Protection	Over Load Protection	103-120%
		YES/Auto Resume
	Over Voltage Protection	>50VDC YES/Auto Resume
Short circuit Protection	YES/Auto Resume	
Environment	Operating Temperature	-20°C~+60°C
	Humidity	20%-90%RH
	Tc	85°C
	Storage Temperature	-25°C~+60°C
	Life time	> 30,000h@ta=60°C
Surface	Dimension	Φ42X22(DXH)mm
Standards	IEC61347- 1, IEC61347-2- 13;EN61347- 1, EN61347-2- 13;GB/T17743,GB19510. 1, GB19510. EN61347- 1, EN61347-2- 13, EN62384;14;EN55015, EN61000-3-2, EN61000-3-3, EN61547	
Others	ErP	EU 2019/2020
	RoHS	RoHS (2011/65/EU) (EU)2015/863
Note	<p>1.All parameters not specially mentioned are measured at 230VAC input , full load and 25°C of ambient temperature.</p> <p>2.Ripple &amp; Noise are measured at 20MHz of bandwidth by using a 300mm twisted pair-wire terminated with a 0.1uF &amp; 47 uF parallel capacitor.</p> <p>3.Switch and dimmer are not recommended to connect between this product output and luminaries.</p>	

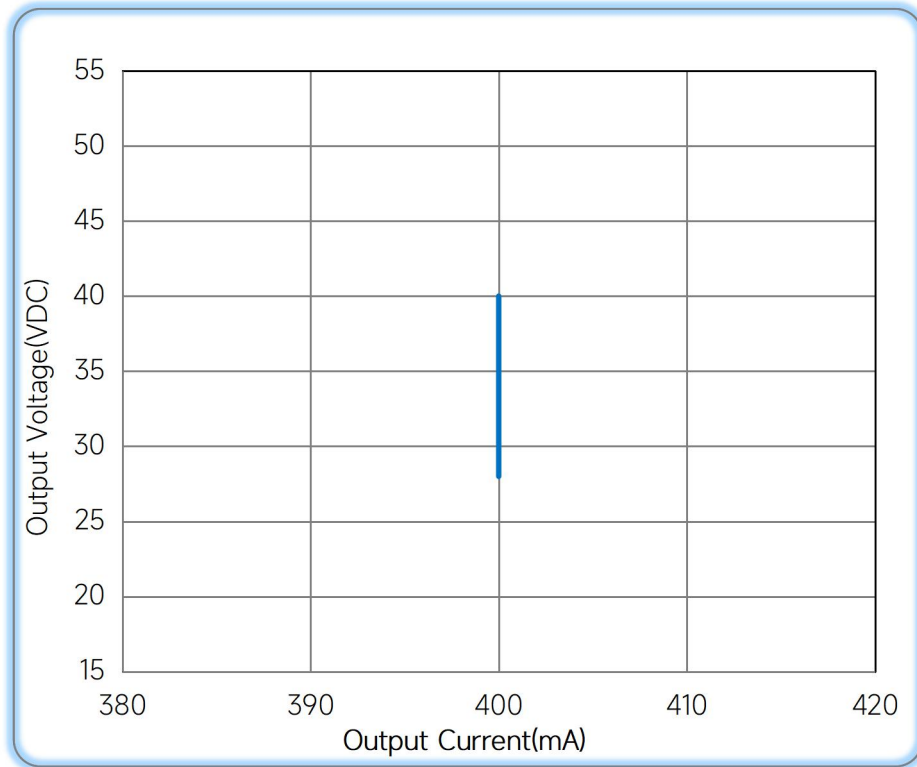
◆ **Wiring diagram**



◆ **2D diagram**



◆ **Operating window**



◆ **Revision Updates**

ITEM	BEFORE	AFTER	VERSION	DATE
Initial			A	2022/05/15

Tel: +86-0757-86256822, +86-0757-86256831

E-mail: sales@eaglerise.com

Website : <https://lighting.eaglerise.com>



EAGLERISE



Manual