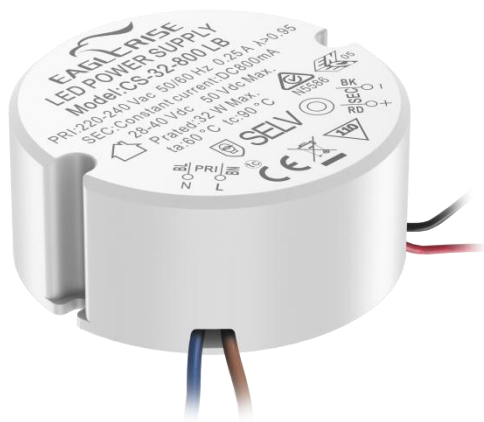


## 32W Constant Current -CS Series



■ Approve



### Features

- Class II, SELV, Built-in
- Input Voltage 220-240VAC
- Protections: SCP/OLP/OVP
- Power Factor 0.95
- Efficiency  $\geq 86\%$
- 3 years warranty

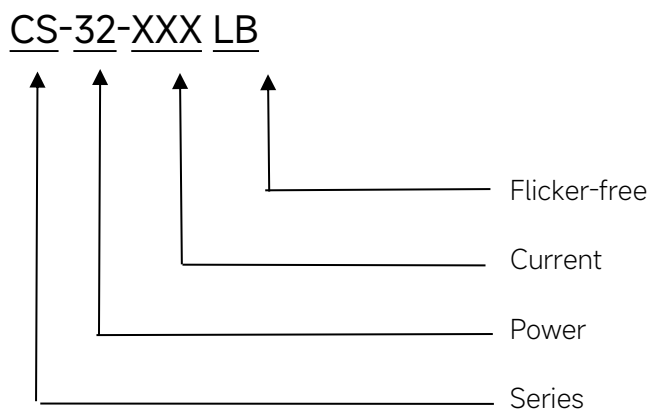
### Applications

- Wall light
- COB light
- LED spot light

### ◆ Description

CS-32-XXX LB is a 32W constant current LED driver that operates from 176-264Vac input with 700/750/800mA output current. With it's compact dimensions from  $\Phi 65 \times 28\text{mm}$  it is easy to integrate in spot light, wall light and COB light products. To ensure trouble-free operation, protection is provided against output short circuit and over Load.

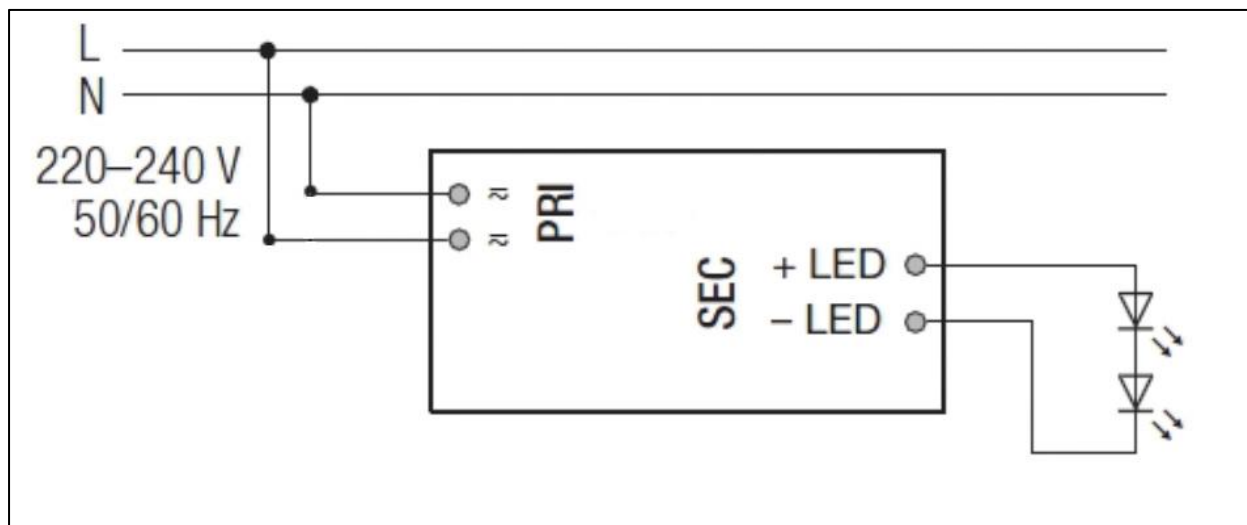
### ◆ Model code



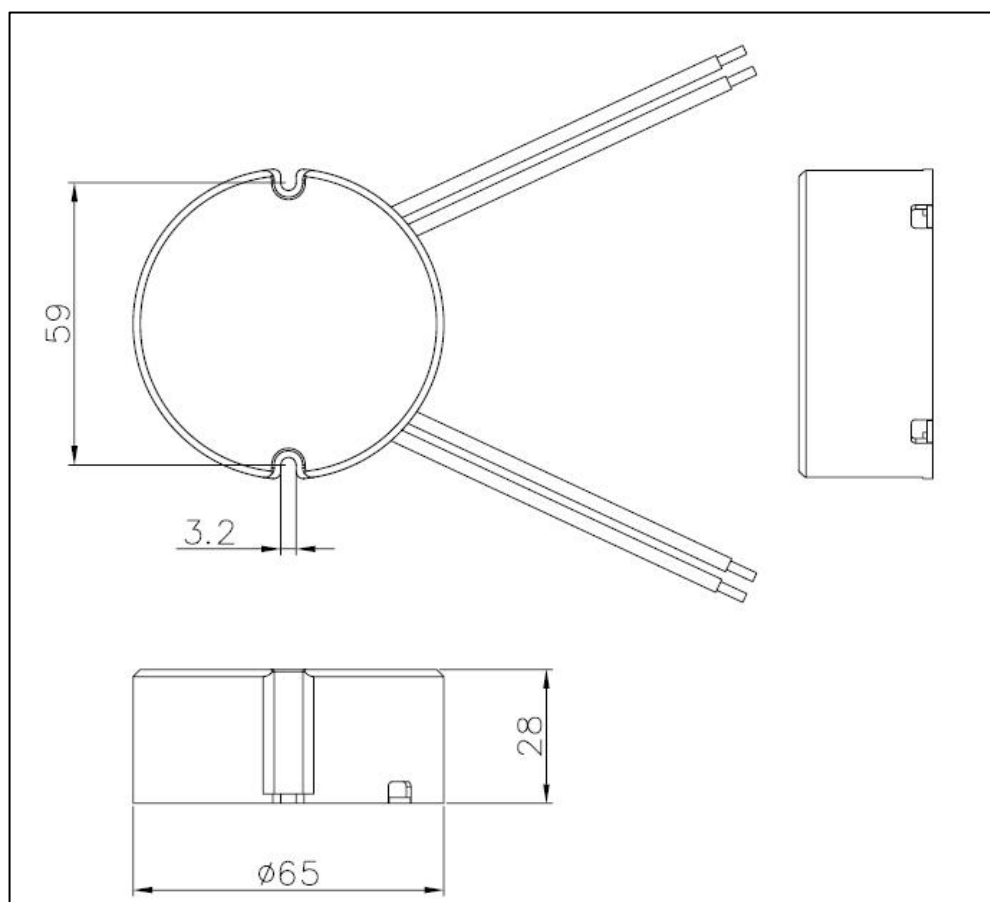
## ◆ Specification

Output	Constant Current	700mA	750mA	800mA
	Voltage Range	28-42VDC	28-42VDC	28-40VDC
	Unload voltage Max.	50VDC	50VDC	50VDC
	Current Accuracy	±5%		
	Output HF current ripple(≥1KHz)	±2%		
	Output LF current ripple(≤120Hz)	±2%		
	SVM	≤0.4		
	Pst	≤1		
	Efficiency(Typ.)	≥86%		
Input	Rated input voltage	220-240VAC		
	Range of input voltage	176-264VAC		
	Rated input voltage(DC)	176-280VDC		
	Frequency(Hz)	0/50/60 Hz		
	Displacement factor	≥0.9		
	Power Factor	0.95		
	Input Current max	0.22A MAX.	0.24A MAX.	0.25A MAX.
	Start-up time	< 0.5S		
	No Load Power	≤0.5W		
	THD (Typ.)	< 10%		
Protection	Over Load Protection	103-120% YES/Auto Resume		
	Over Voltage Protection	> 50VDC YES/Auto Resume		
	Short circuit Protection	YES/Auto Resume		
Environment	Operating Temperature	-20°C~+60°C		
	Humidity	20%-90%RH		
	Tc	90°C		
	Storage Temperature	-25°C~+60°C		
	Life time	> 50000h@Tc=85°C,230VAC		
Surface	Dimension	Φ65X28(DXH)mm		
standards	EN 61347-1; EN61347-2-13; EN62384; EN55015; EN61000-3-2 ; EN61000-3-3; EN 61547;			
Others	ErP	EU 2019/2020		
	RoHS	RoHS (2011/65/EU) (EU)2015/863		
Note	1.All parameters NOT specially mentioned are measured at 240VAC input , full load and 25°C of ambient temperature. 2.Ripple & Noise are measured at 20MHz of bandwidth by using a 300mm twisted pair-wire terminated with a 0.1uF & 47 uF parallel capacitor.			

◆ Wiring diagram

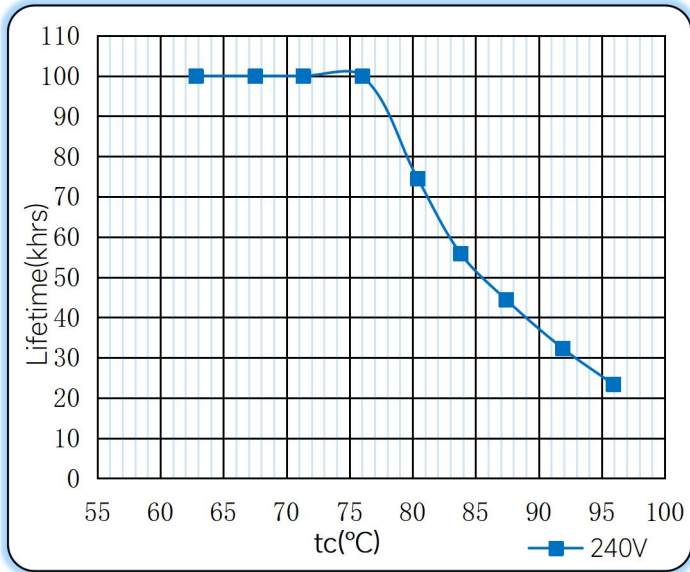


◆ 2D diagram

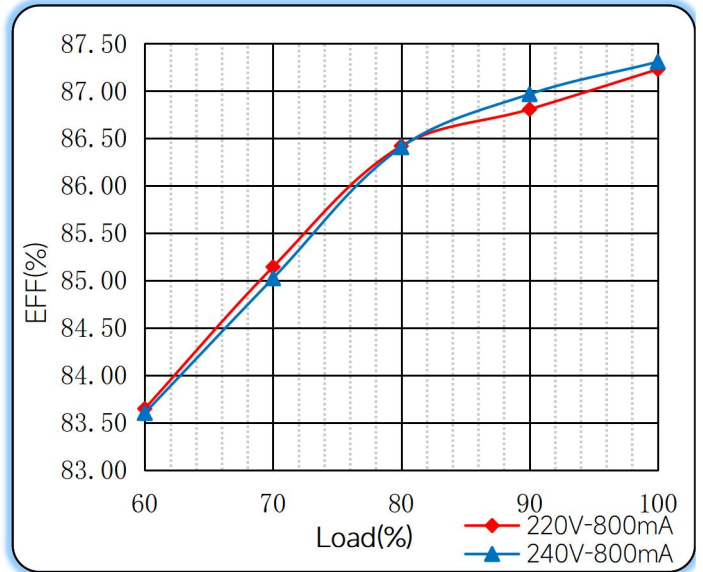


◆ **Curve for CS-32-600 LB, I<sub>o</sub>=600mA**

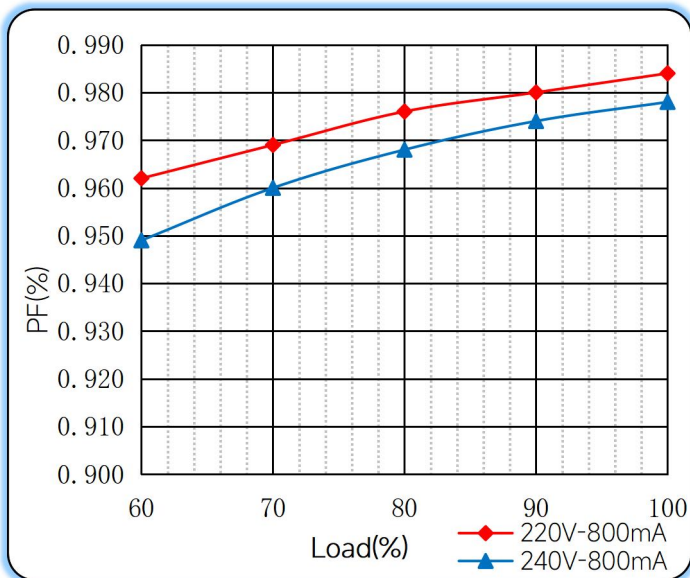
Lifetime vs. Temperature Curve



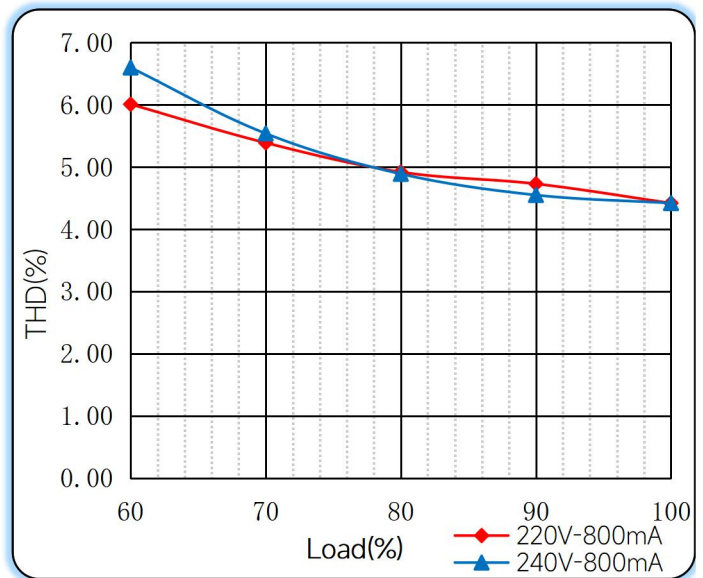
Efficiency vs. Load



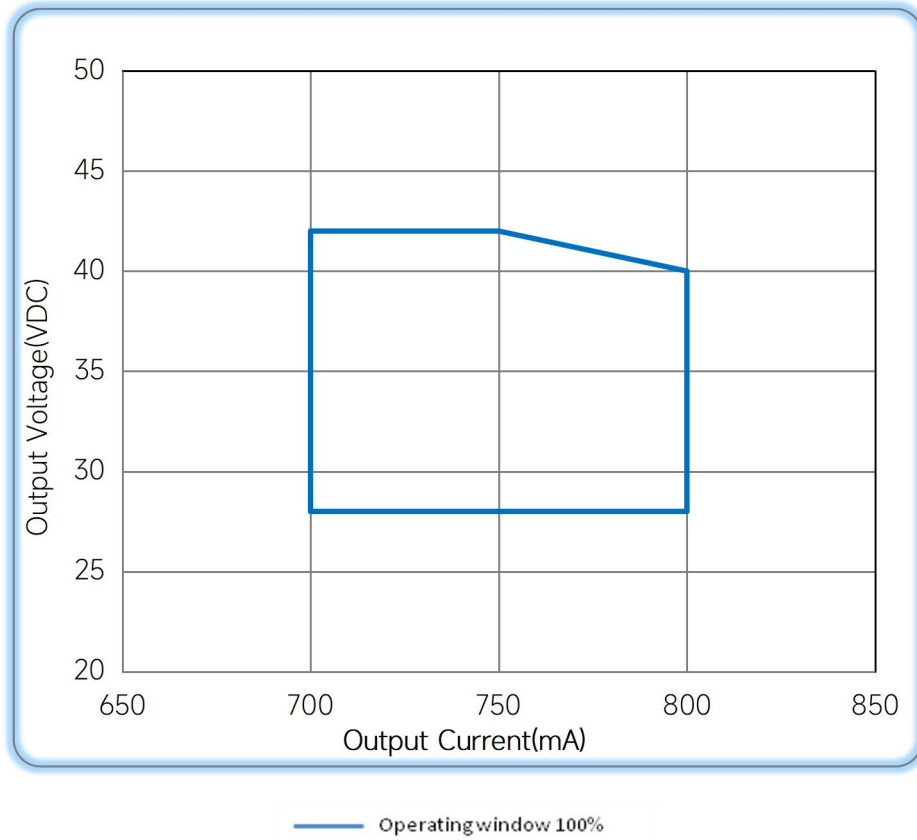
Power Factor Characteristics



THD vs. Load



◆ **Operating window**



◆ **Revision Updates**

ITEM	BEFORE	AFTER	VERSION	DATE
Initial			A	2022/05/15
Power Factor	0.95C	0.95	B	2023/07/25

Tel: +86-0757-86256822, +86-0757-86256831

E-mail: sales@eaglerise.com

Website : <https://lighting.eaglerise.com>



EAGLERISE



Manual