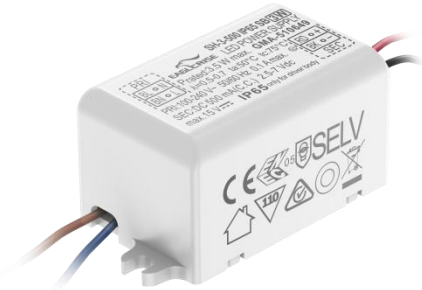


3W LED Driver Constant Current



■ Approve



Features

- Class II&I, SELV, Built-in
- Input Voltage 100-240VAC
- Protections: SCP/OLP/OVP
- Power Factor ≥ 0.5
- IP65 Ingress protection
- Efficiency $\geq 68\%$
- 5 years warranty

Applications

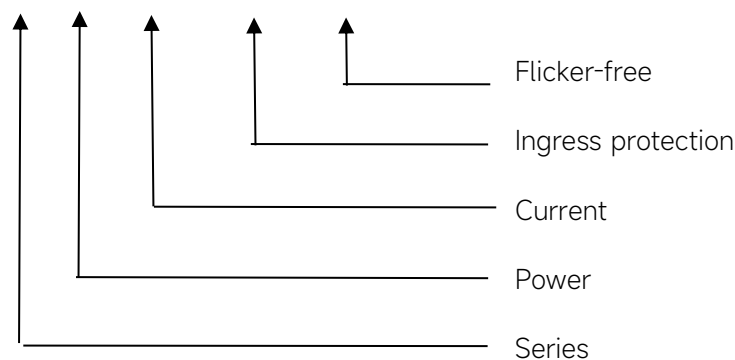
- LED spot light, Wall light

◆ Description

SH-3-XXX IP65 SB is a 3W constant current LED driver that operates from 90-264Vac input with 300 to 700mA output voltage. With it's compact dimensions from 47 x 23 x 21mm. It is easy to integrate in wall light and LED spot light products. To ensure trouble-free operation, protection is provided against output short circuit and over Load.

◆ Model code

SH-3-XXX IP65 SB



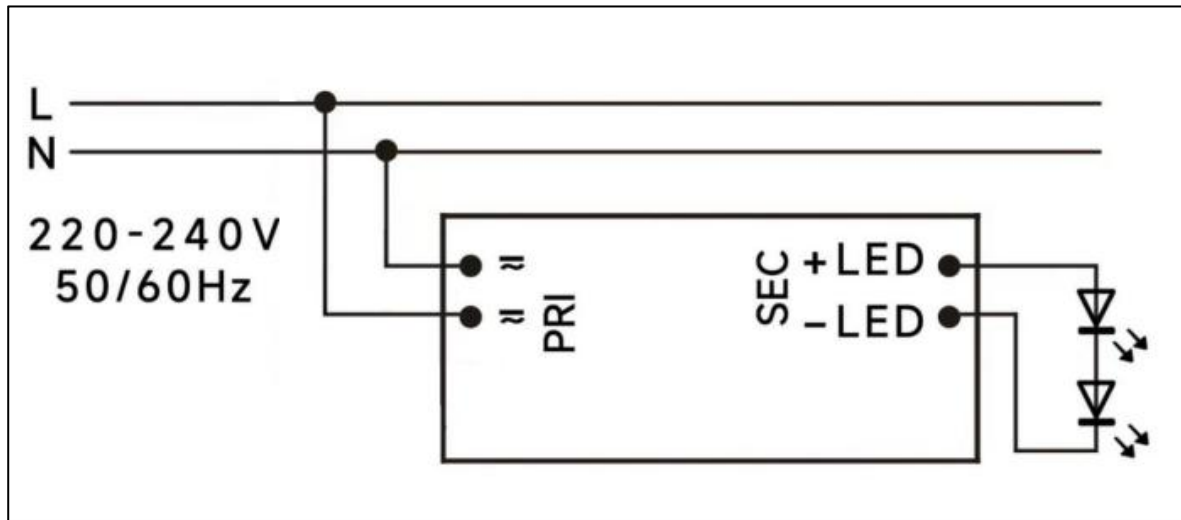
◆ Specification

| | | | | | |
|-------------|---|--------------------------------|-----------|----------|------------|
| Output | Constant Current | 300mA | 350mA | 500mA | 700mA |
| | Unload voltage Max. | 20VDC | 18VDC | 15VDC | 10VDC |
| | Voltage Range | 2.5-12VDC | 2.5-10VDC | 2.5-7VDC | 2.5-4.5VDC |
| | Current Accuracy | ±5% | | | |
| | Output HF current ripple(≥1KHz) | ±5% | | | |
| | Output LF current ripple(≤120Hz) | ±5% | | | |
| | SVM | ≤0.4 | | | |
| | Pst | ≤1 | | | |
| | Efficiency(Typ.) | ≥68%@Full load,230V | | | |
| Input | Rated input voltage | 100-240VAC | | | |
| | Range of input voltage | 90-264VAC | | | |
| | Frequency(Hz) | 50/60 Hz | | | |
| | Displacement factor | ≥0.9 | | | |
| | Power Factor | ≥0.5@Full load,230V | | | |
| | Input Current max | 0.1A | | | |
| | Start-up time | < 0.5S | | | |
| | No Load Power | ≤0.5W | | | |
| Protection | Over Load Protection | 103-150% YES/Auto Resume | | | |
| | Over Voltage Protection | >20VDC | >18VDC | >15VDC | >10VDC |
| | Short circuit Protection | YES/Auto Resume | | | |
| Environment | Operating Temperature | -20°C~+50°C | | | |
| | Humidity | 10%-90%RH | | | |
| | Tc | 75°C | | | |
| | Storage Temperature | -20°C~+60°C | | | |
| | Life time | > 50000h@Tc=70°C,230VAC | | | |
| Surface | Dimension | 47X23X21(LXWXH)mm | | | |
| Standards | EN 61347-1; EN61347-2-13; EN62384; EN55015; EN61000-3-2 ; EN61000-3-3; EN 61547 | | | | |
| Others | ErP | EU 2019/2020 | | | |
| | RoHS | RoHS (2011/65/EU) (EU)2015/863 | | | |
| Note | <p>1.All parameters NOT specially mentioned are measured at 230VAC input , full load and 25°C of ambient temperature.</p> <p>2.Ripple & Noise are measured at 20MHz of bandwidth by using a 300mm twisted pair-wire terminated with a 0.1uF & 47 uF parallel capacitor.</p> <p>3.Switch and dimmer are not recommended to connect between this product output and luminaries.</p> | | | | |

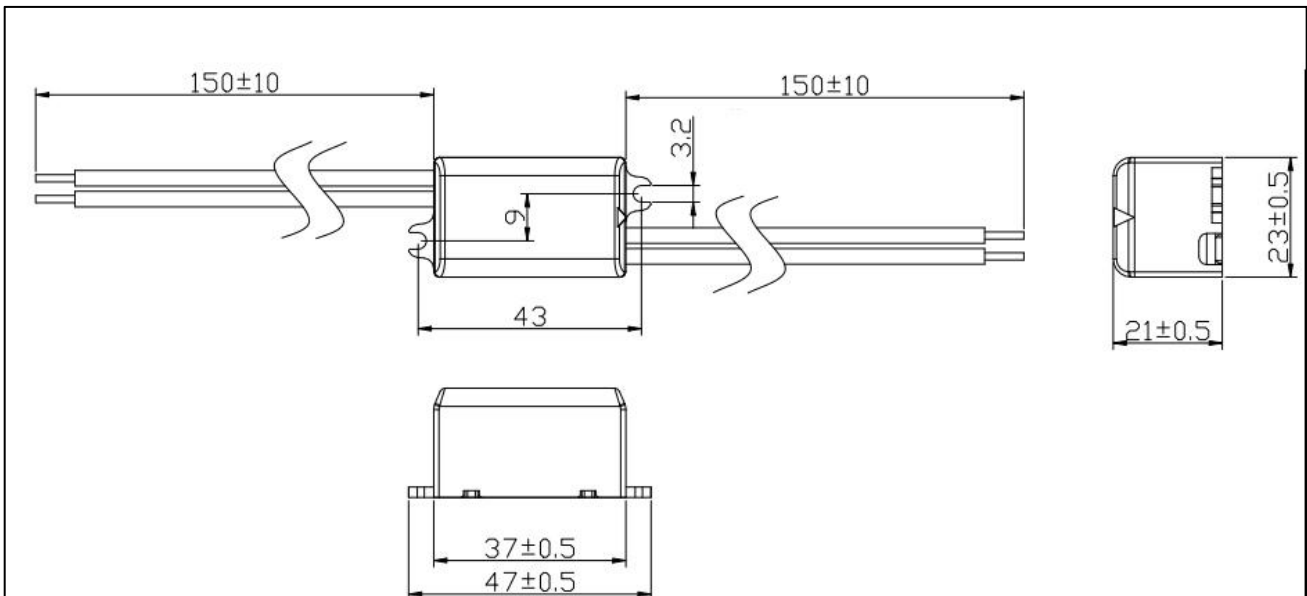
◆ **Circuit Breaker**

| I _{peak} | T _{width} | B10 | B16 | B20 | C10 | C16 | C20 |
|-------------------|--------------------|-------|-------|-------|-------|--------|--------|
| 20A | 110μs | 38pcs | 61pcs | 77pcs | 64pcs | 102pcs | 128pcs |

◆ **Wiring diagram**

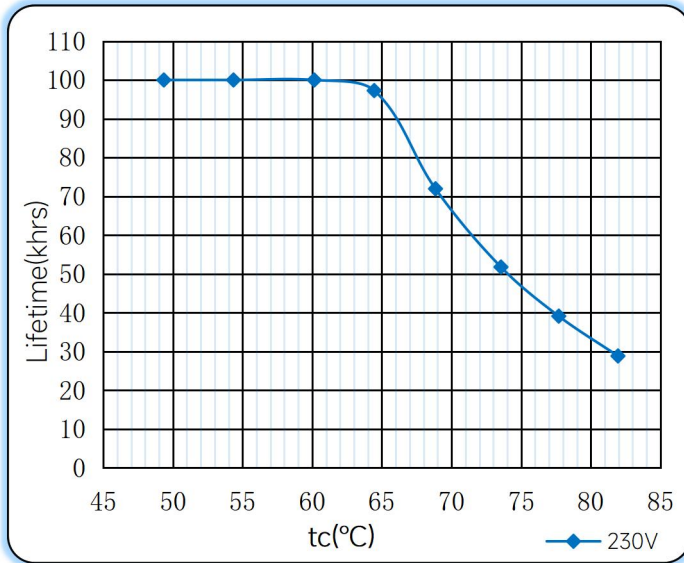


◆ **2D diagram**

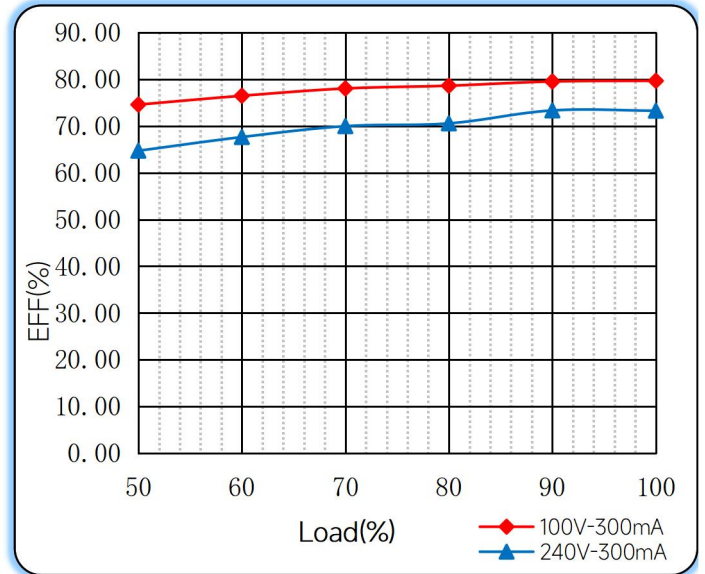


◆ **Curve for SH-3-300 IP65 SB, I_o=350mA**

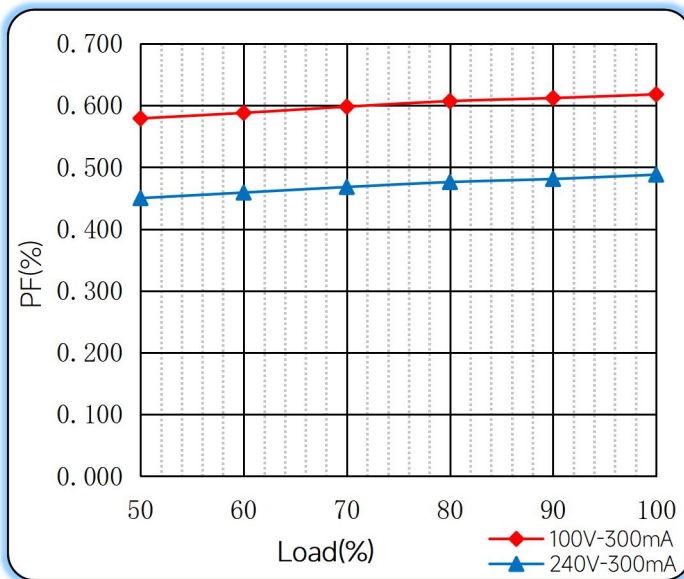
Lifetime vs. Temperature Curve



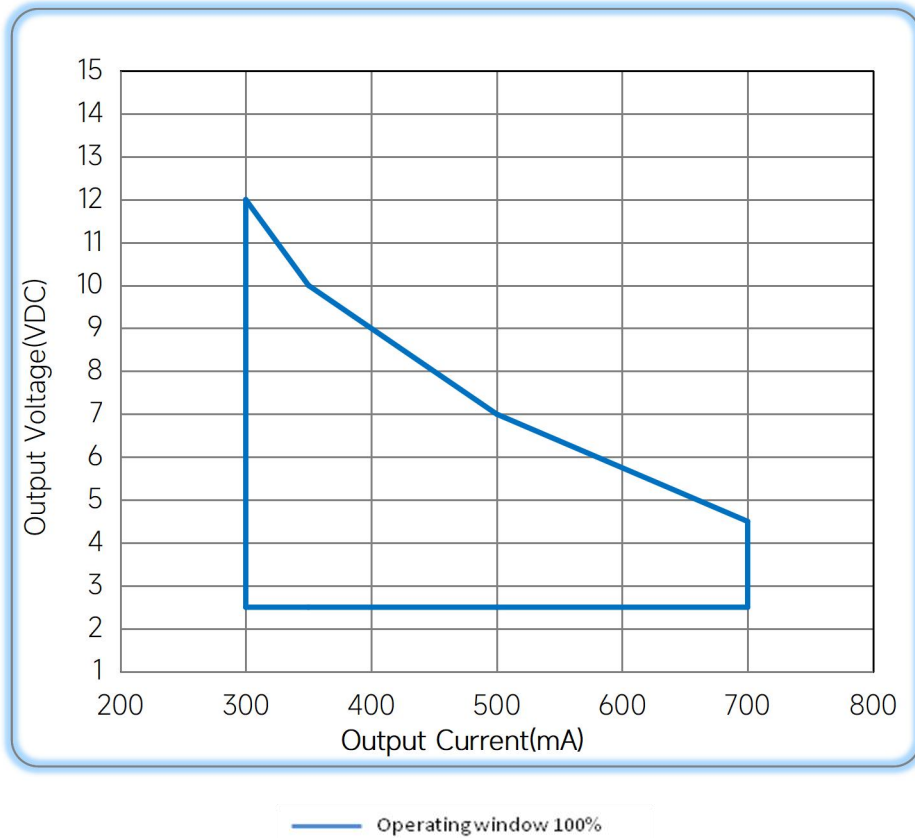
Efficiency vs. Load



Power Factor Characteristics



◆ Operating window



◆ Revision Updates

| ITEM | BEFORE | AFTER | VERSION | DATE |
|---------|--------|-------|---------|------------|
| Initial | | | A | 2022/05/15 |
| | | | | |

Tel: +86-0757-86256822, +86-0757-86256831

E-mail: sales@eaglerise.com

Website : <https://lighting.eaglerise.com>



EAGLERISE



Manual