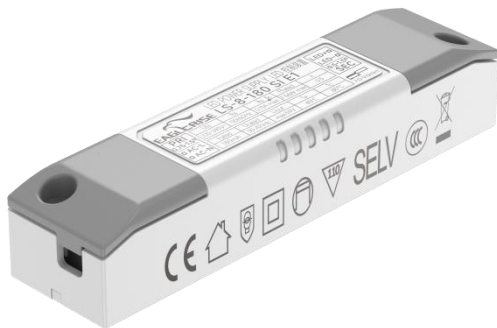


8W Constant Current power supply



Features

- Class II, SELV, Independent
- Input Voltage: 220-240VAC
- Protections: SCP/OLP/OVP/OTP
- Power Factor: 0.5(Typ.)
- Efficiency: 73%(Typ.)
- 5 years warranty
- IP20

Applications

- LED panel, LED down light
- LED spot light

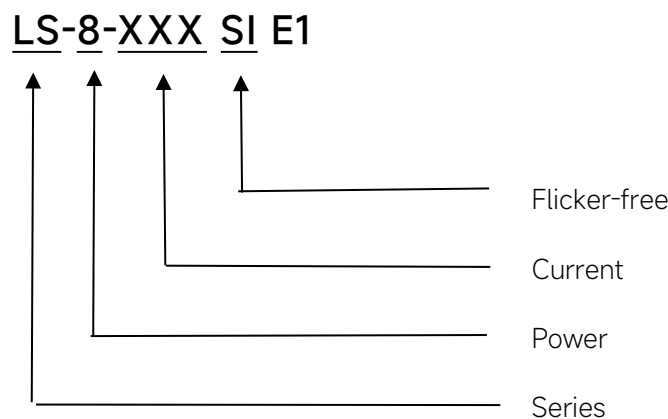
Approve



◆ Description

LS-8-XXX SI E1 is a 8W constant current LED driver with 180~220mA output current. With it's compact dimensions from 84×20.5×16.5mm. It is easy to integrate in LED panel, LED down light, LED spot light products. To ensure trouble-free operation, protection is provided against output short circuit and over Load.

◆ Model code



◆ Specification

	Constant Current (mA)	180	200	220
Output	Voltage Range(VDC)	30-42	30-42	30-42
	Unload voltage Max.(VDC)	59VDC		
	Current Accuracy	±7%		
	Output HF current ripple(≥1KHz)	±5%		
	Output LF current ripple(≤120Hz)	±5%		
	SVM	≤0.4		
	P _{st}	≤1		
	Efficiency(Typ.)	≥73%@Full load,230V		
	Input	Rated input voltage	220-240VAC	
Range of input voltage		198-264VAC		
Frequency(Hz)		50/60 Hz		
Displacement factor		≥0.5		
Power Factor		0.5@Full load,230V		
Input Current max (mA)		0.11A		
Start-up time		< 0.5S		
No Load Power		≤0.5W		
Standby Power		≤0.5W		
Protection	Over Load Protection	103-120% YES/Auto Resume		
	Over Voltage Protection	>59VDC YES/Auto Resume		
	Short circuit Protection	YES/Auto Resume		
	Over Temperature Protection	YES/Auto Resume		
Environment	Operating Temperature	-20°C~+45°C		
	Humidity	20%-90%RH		
	Tc	80°C		
	Storage Temperature	-20°C~+60°C		
	Life time	> 50,000h@TC=65°C		
Surface	Dimension	84×20.5×16.5 (LxWxH)mm		
standards	EN 61547; EN 61347-1,EN 61347-2-13;IEC 61347-1,IEC 61347-2-13;GB 19510.1,GB 19510.14,GB/T 17743 EN 62384;EN IEC 55015,EN IEC 61000-3-2,EN 61000-3-3;IS 15885 (Part 2/Sec13)			
Others	ErP	EU 2019/2020		
	RoHS	RoHS (2011/65/EU) (EU)2015/863		

Note	<ol style="list-style-type: none"> 1. All parameters NOT specially mentioned are measured at 230VAC input , full load and 25°C of ambient temperature. 2. Ripple & Noise are measured at 20MHz of bandwidth by using a 300mm twisted pair-wire terminated with a 0.1uF & 47 uF parallel capacitor. 3. Data are typical values obtained from test samples 4. Switch and dimmer are not recommended to connect between this product output and luminaries. 5. The series BIS certification includes 180、200、220mA
------	--

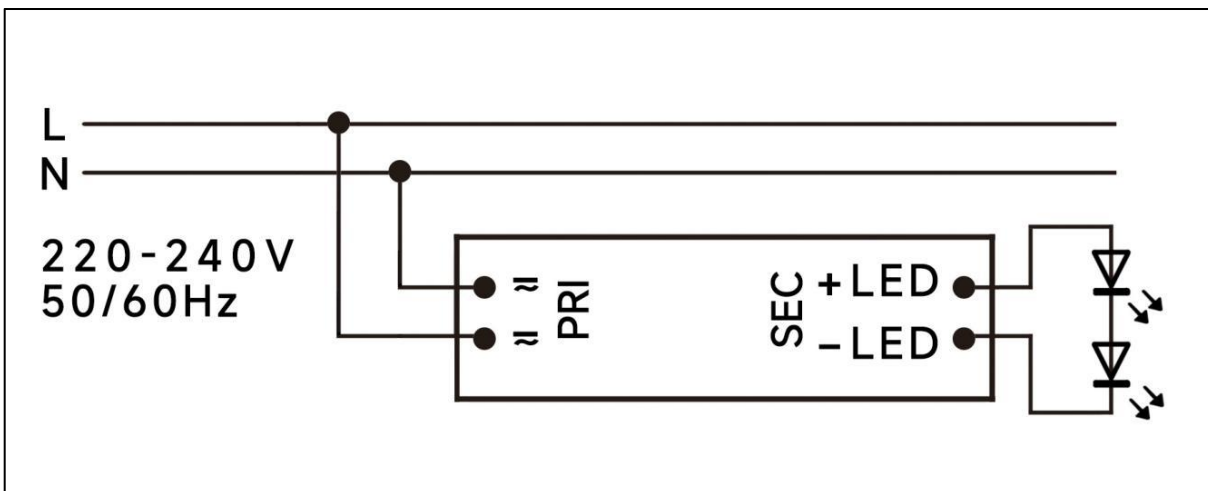
◆ Model list

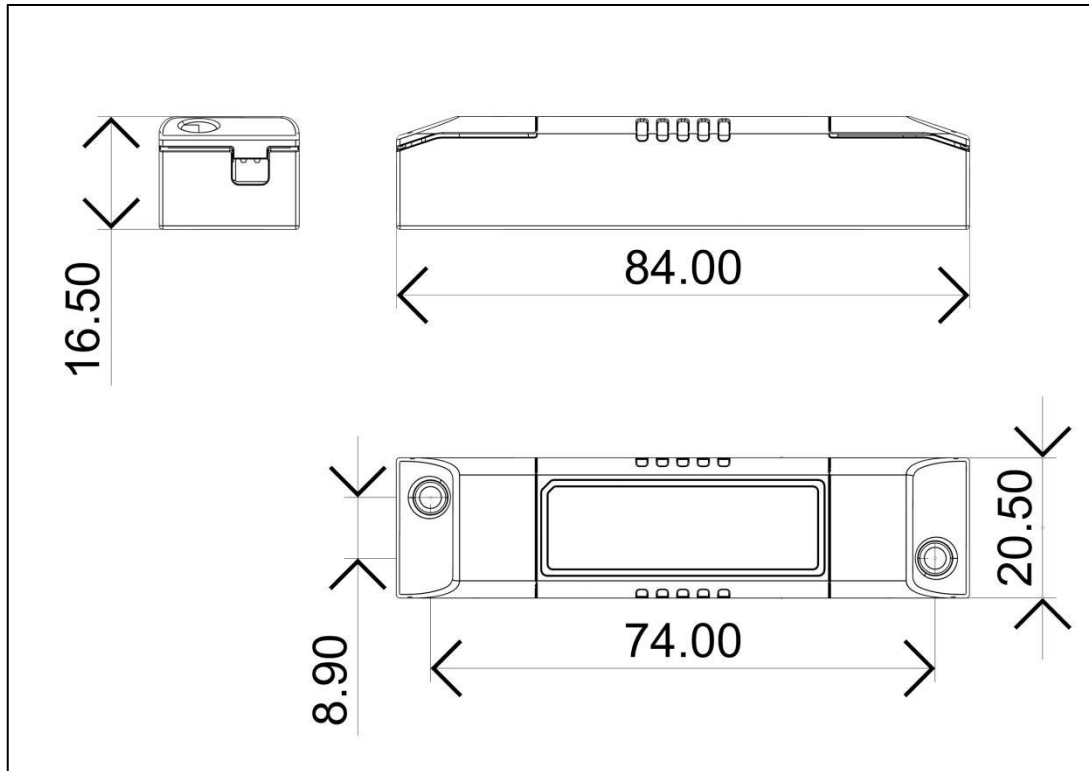
Number	Model number	Output			
		Current (mA)	Voltage (VDC)	Voltage No load (VDC)	Power (W)
1	LS-8-180 SI E1	180	30-42	59	7.6
2	LS-8-200 SI E1	200	30-42	59	8.4
3	LS-8-220 SI E1	220	30-42	59	9.24

◆ Circuit Breaker

I _{peak}	T _{width}	B10	B16	B20	C10	C16	C20
4.2A	94μs	72pcs	116pcs	145pcs	72pcs	116pcs	145pcs

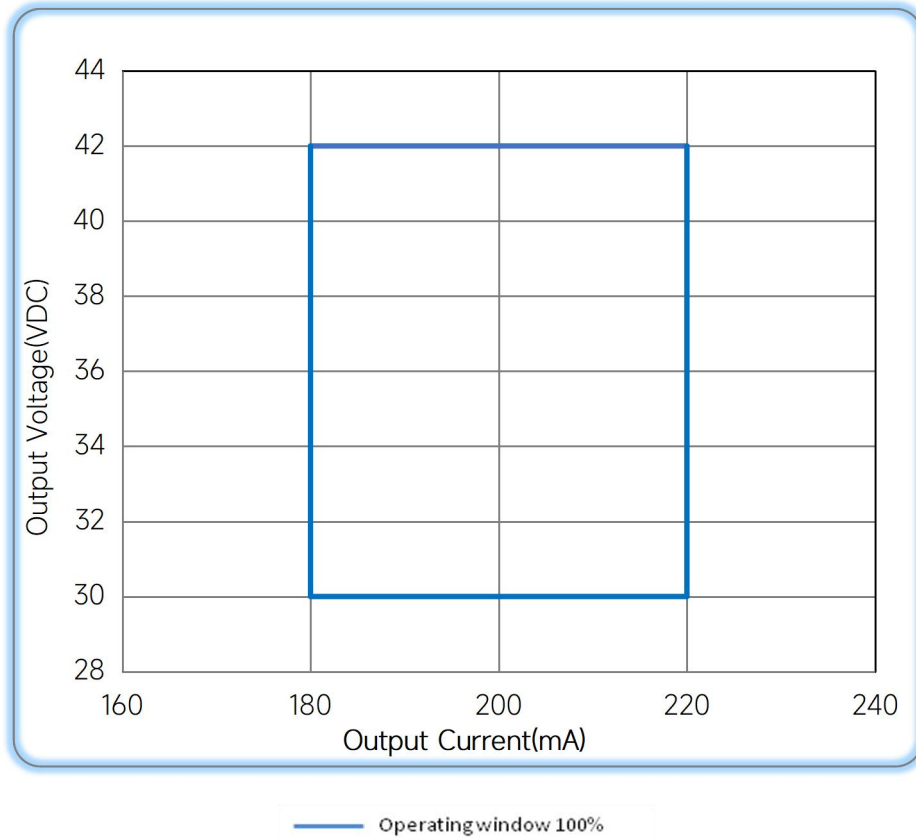
◆ Wiring diagram



◆ 2D diagram

◆ Wiring & Connections

Specification item		Value (Unit)
Input	Input wire cross-section	0.5...1.5 mm ²
	Input wire gauge.	16...20 AWG
	Input wire strip length	7...9mm
Output	Output wire cross-section	0.5...1.5 mm ²
	Output wire gauge.	16...20 AWG
	Output wire strip length	7...9mm

◆ Operating window



◆ Revision Updates

ITEM	BEFORE	AFTER	VERSION	DATE
Initial			A	2023/01/04
Current Accuracy	±5%	±7%@180-220mA ±5%@700mA	B	2023/03/22
700mA		Deleted	C	2023/05/25

Tel: +86-0757-86256822, +86-0757-86256831

E-mail: sales@eaglerise.com

Website : <https://lighting.eaglerise.com>



EAGLERISE



Manual