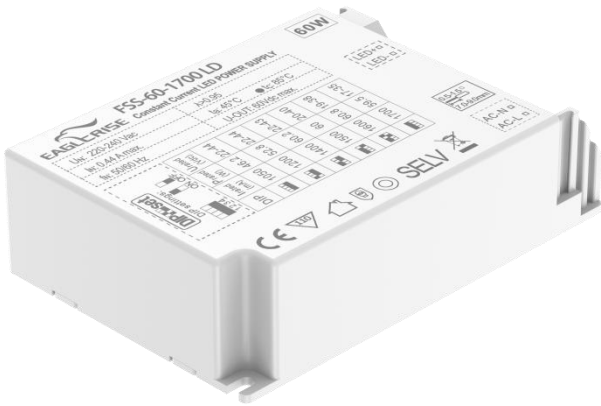


60W Constant current Dip Switch-FSS Series



■ Approve

CE CB SELV

Features

- Class II, SELV, Built-in/Independent
- Input Voltage 220-240VAC
- Protections: SCP/OLP/OVP/OTP
- Power Factor > 0.95
- Efficiency ≥88%
- 5 years warranty

Applications

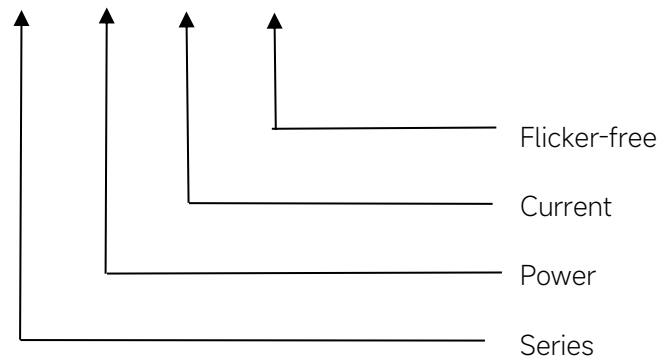
- LED strips, LED panel
- Down light, Track spot light

◆ Description

FSS-60-1700 LD is a 60W constant current LED driver with 1050 to 1700mA output current and a forward voltage range from 17 to 44Vdc. The output current is adjustable by DIP Switch. With it's compact dimensions from 110 x 74 x 30mm. It is easy to integrate in LED Panel and down light products. The side covers are available as accessories and allow to use the LED driver independent.

◆ Model code

FSS-60-1700 LD



◆ Specification

Output	Constant Current	1050mA	...	1600mA	1700mA
	Voltage Range	22-44VDC	...	19-38VDC	17-35VDC
	Unload voltage Max.	60VDC			
	Current Accuracy	±5%			
	Output HF current ripple(≥1KHz)	±5%			
	Output LF current ripple(≤120Hz)	±5%			
	SVM	≤0.01			
	Pst	≤0.01			
	Flicker index	0.015			
	Efficiency(Typ.)	≥87%@Full Load,230VAC			
Input	Rated input voltage	220-240VAC			
	Range of input voltage	176-264VAC			
	Frequency(Hz)	50/60 Hz			
	Displacement factor	≥0.9			
	Power Factor	≥0.95@Full Load,230VAC			
	Input Current max	0.44A			
	Start-up time	< 0.5S			
	No Load Power	≤0.5W			
	THD (Typ.)	< 10%@Full Load,230VAC			
Protection	Over Load Protection	103-120%			
		YES/Auto Resume			
	Over Voltage Protection	> 60VDC			
		YES/Auto Resume			
	Short circuit Protection	YES/Auto Resume			
	Over Temperature Protection	YES/Auto Resume			
Environment	Operating Temperature	-20°C~+45°C			
	Humidity	20%-90%RH			
	Tc	85°C			
	Storage Temperature	-40°C~+80°C			
	Life time	> 50000h@Tc=75°C,230VAC			
Surface	Dimension	110X74X30(LXWXH)mm			
Standards	EN 61347-1; EN61347-2-13; EN62384; EN55015; EN61000-3-2 ; EN61000-3-3; EN 61547;				
Others	Surge	L-N:1kV, Conforms to class B			
	ErP	EU 2019/2020			
	RoHS	RoHS (2011/65/EU) (EU)2015/863			

Note	1.All parameters not specially mentioned are measured at 240VAC input , full load and 25°C of ambient temperature. 2.Ripple & Noise are measured at 20MHz of bandwidth by using a 300mm twisted pair-wire terminated with a 0.1uF & 47 uF parallel capacitor. 3.Temperature test: tested at high temperature(45°C)/low temperature(-20°C)/normal temperature(25°C) 4.Data are typical values obtained from test samples 5.Switch and dimmer are not recommended to connect between this product output and luminaries.
-------------	------------------------------------------------------------------------------------------------------------------------------------------------------------------------------------------------------------------------------------------------------------------------------------------------------------------------------------------------------------------------------------------------------------------------------------------------------------------------------------------------------------------------------------

◆ Parameter

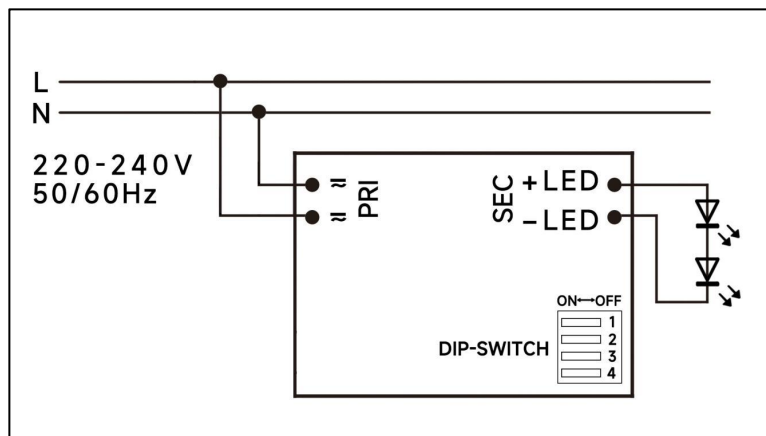
Number	Output				Switch position		
	Current (mA) I1+I2	Voltage (VDC)	Voltage No load (VDC)	Power (W)	1	2	3
1	1050mA	22-44VDC	60VDC	46.2W	--	--	--
2	1200mA	22-44VDC		52.8W	ON	--	--
3	1400mA	22-43VDC		60.2W	ON	ON	--
4	1500mA	20-40VDC		60W	ON	ON	ON
5	1600mA	19-38VDC		60.8W	ON	ON	--
*6	1700mA	17-35VDC		59.5W	ON	ON	ON

* Factory default

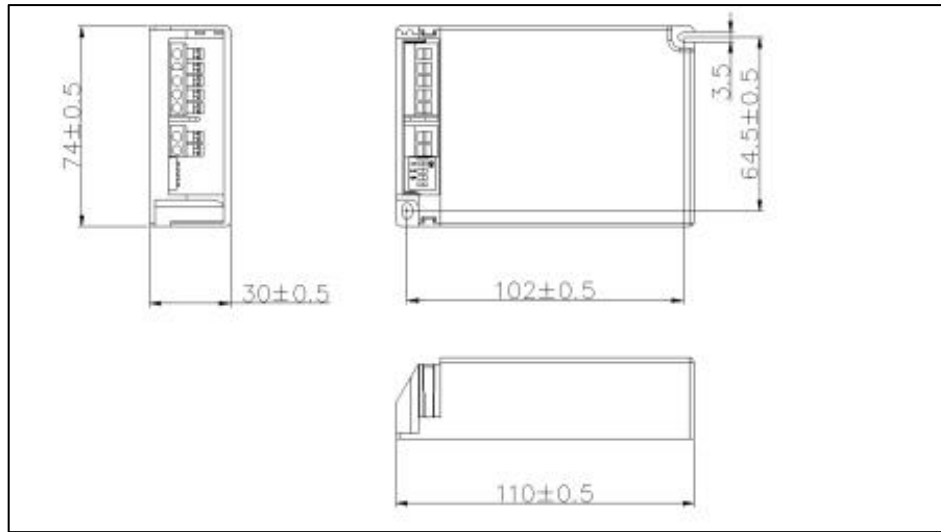
◆ Circuit Breaker

I _{peak}	T _{width}	B10	B16	B20	C10	C16	C20
36.7A	192.2μs	11pcs	18pcs	23pcs	18pcs	29pcs	36pcs

◆ Wiring diagram



◆ 2D diagram



With side caps



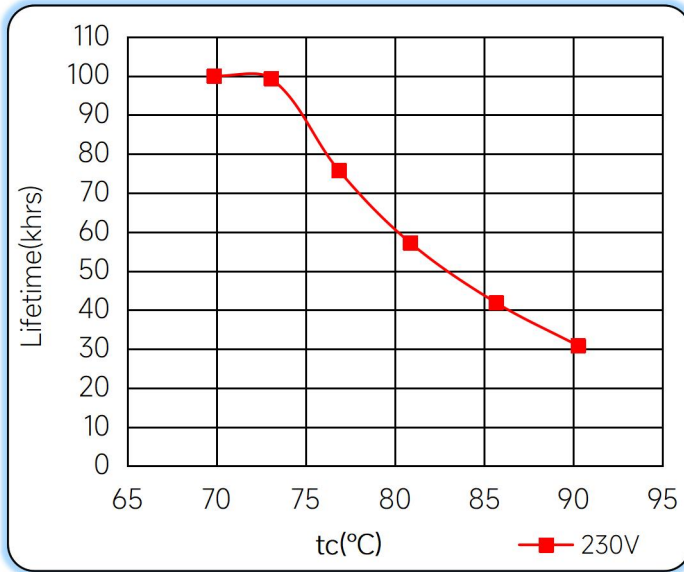
coding:1320211998-1

◆ Wiring & Connections

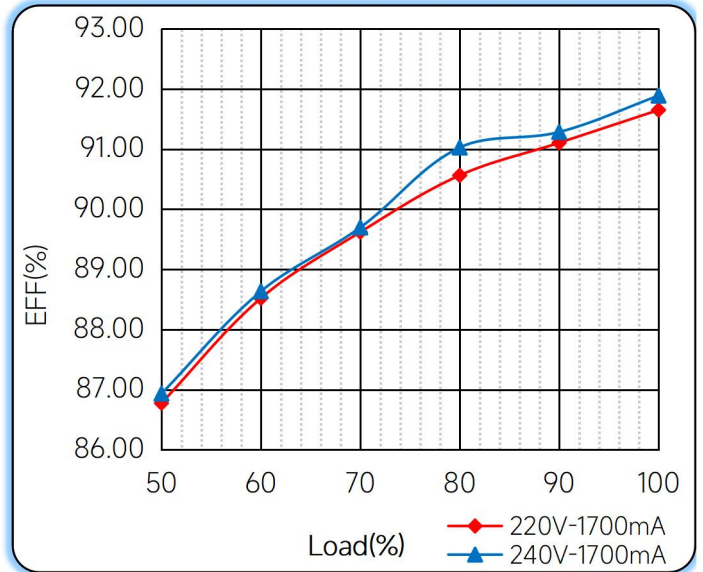
Specification item		Value (Unit)
Input	Input wire cross-section	0.5...1.5 mm ²
	Input wire gauge.	16...20 AWG
	Input wire strip length	7...9mm
Output	Output wire cross-section	0.5...1.5 mm ²
	Output wire gauge.	16...20 AWG
	Output wire strip length	7...9mm

◆ **Curve for FSS-60-1700 LD, I_o=1700mA**

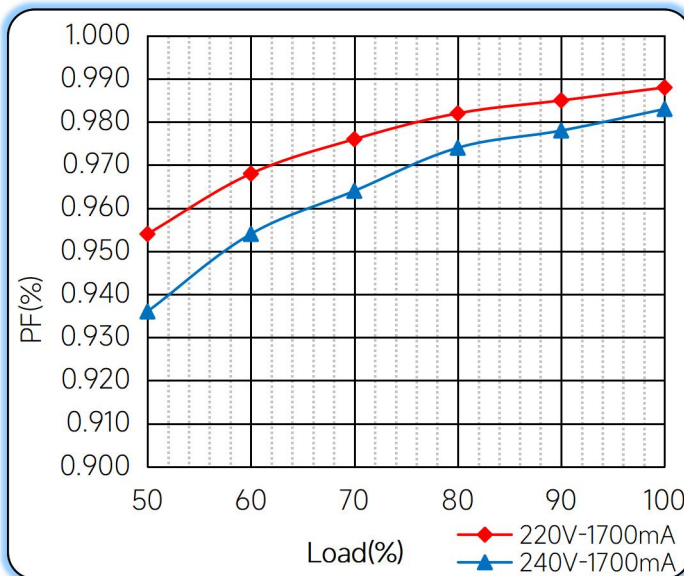
Lifetime vs. Temperature Curve



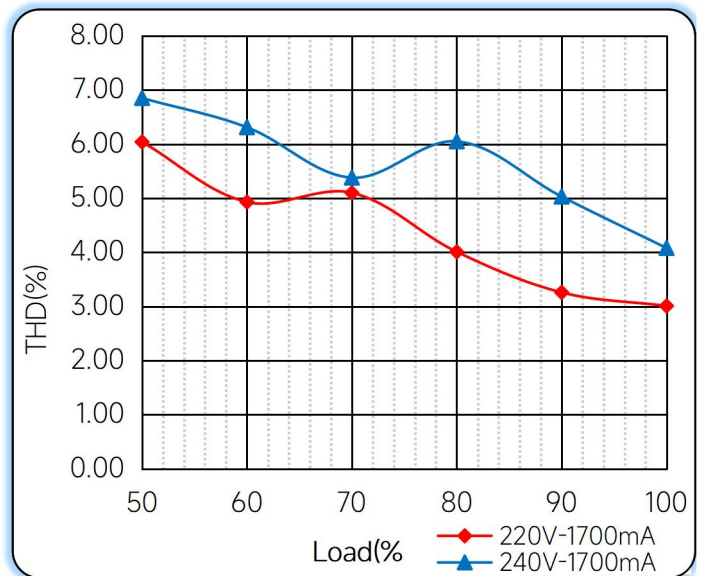
Efficiency vs. Load



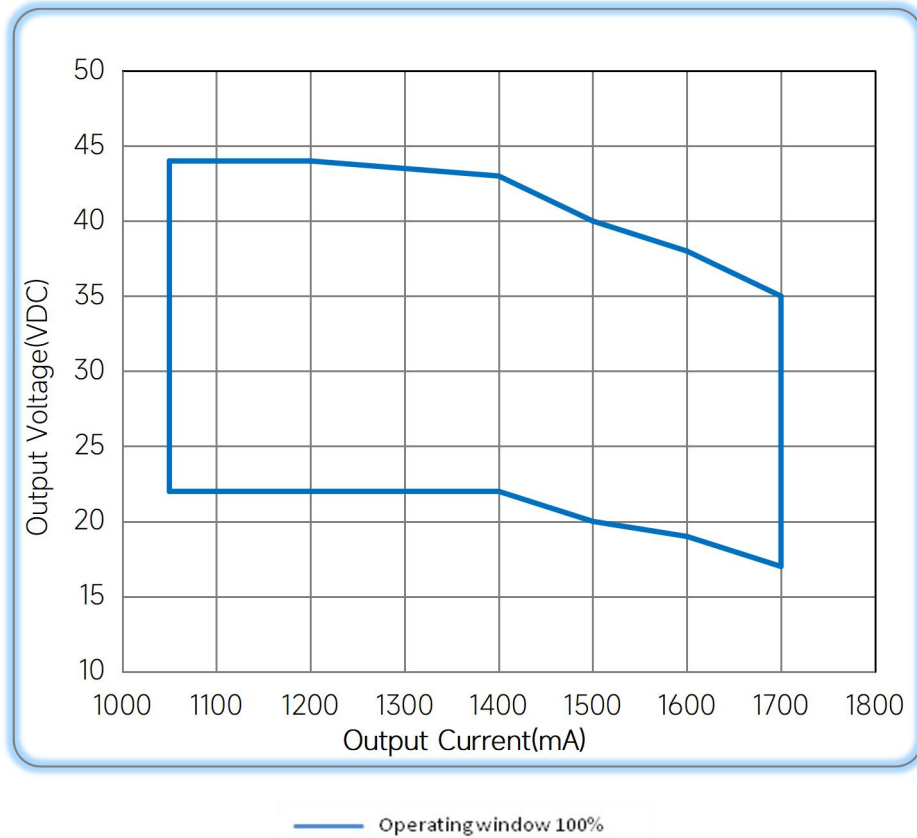
Power Factor Characteristics



THD vs. Load



◆ Operating window



◆ Revision Updates

ITEM	BEFORE	AFTER	VERSION	DATE
Initial			A	2022/05/15

Tel: +86-0757-86256822, +86-0757-86256831

E-mail: sales@eaglerise.com

Website : <https://lighting.eaglerise.com>



EAGLERISE



Manual