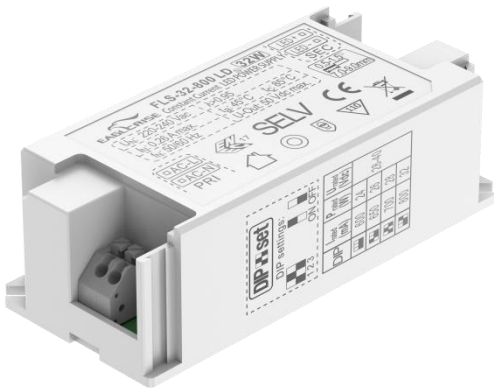


32W Constant current Dip Switch-FLS Series



■ Approve

CE CB SELV

Features

- Class II, SELV, Built-in/Independent
- Input Voltage 220-240VAC
- Protections: SCP/OLP/OVP
- Power Factor > 0.95
- Efficiency ≥87%
- 5 years warranty

Applications

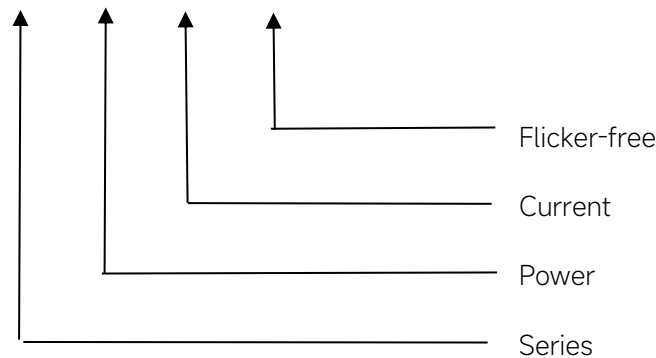
- LED strips, LED panel
- Down light, Track spot light

◆ Description

FLS-32-800 LD is a 32W constant current LED driver with 600 to 800mA output current and a forward voltage range from 28 to 40Vdc. The output current is adjustable by DIP Switch. With it's compact dimensions from 97 x 43 x 26mm. It is easy to integrate in LED Panel and down light products. The side covers are available as accessories and allow to use the LED driver independent.

◆ Model code

FLS-32-800 LD



◆ Specification

	Constant Current	600mA	650mA	700mA	800mA
Output	Voltage Range	28-40VDC			
	Unload voltage Max.	50VDC			
	Current Accuracy	±5%			
	Output HF current ripple(≥1KHz)	±5%			
	Output LF current ripple(≤120Hz)	±5%			
	SVM	≤0.4@Full Load			
	Pst	≤1@Full Load			
	Efficiency(Typ.)	≥87%@Full Load,230VAC			
	Input	Rated input voltage	220-240VAC		
Range of input voltage		198-264VAC			
Frequency(Hz)		50/60 Hz			
Displacement factor		≥0.9			
Power Factor		≥0.95@Full Load,230VAC			
Input Current max		0.26A			
Start-up time		< 0.5S			
No Load Power		≤0.5W			
THD (Typ.)		< 10%@Full Load,230VAC			
Protection	Over Load Protection	103-120% YES/Auto Resume			
	Over Voltage Protection	> 50VDC YES/Auto Resume			
	Short circuit Protection	YES/Auto Resume			
Environment	Operating Temperature	-20°C~+45°C			
	Humidity	20%-90%RH			
	Tc	85°C			
	Storage Temperature	-40°C~+80°C			
	Life time	> 50000h@Tc=75°C,230VAC			
Surface	Dimension	131X43X26(LXWXH)mm (Without side caps) : 97X43X26(LXWXH)mm			
standards	EN 61347-1; EN61347-2-13; EN62384; EN55015; EN61000-3-2 ; EN61000-3-3; EN 61547;				
Others	ErP	EU 2019/2020			
	RoHS	RoHS (2011/65/EU) (EU)2015/863			
Note	1.All parameters not specially mentioned are measured at 240VAC input , Io=800mA, full load and 25°C of ambient temperature. 2.Ripple & Noise are measured at 20MHz of bandwidth by using a 300mm twisted pair-wire terminated with a 0.1uF & 47 uF parallel capacitor. 3.Data are typical values obtained from test samples. 4.Switch and dimmer are not recommended to connect between this product output and luminaries.				

◆ Parameter

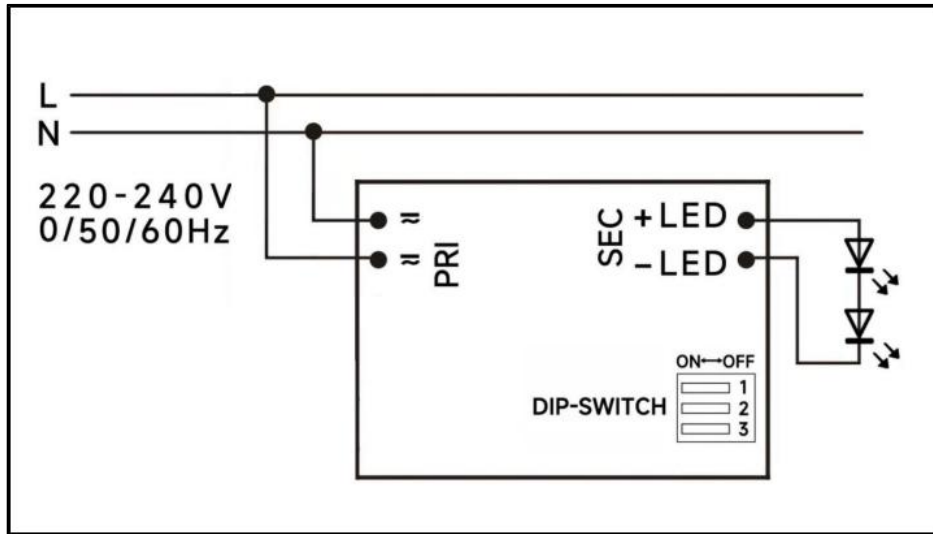
Number	Output				Switch position		
	Current (mA) I1+I2	Voltage (VDC)	Voltage No load (VDC)	Power (W)	1	2	3
1	600mA	28-40	50	24W	--	--	--
2	650mA			26W	ON	--	--
3	700mA			28W	--	ON	--
4	800mA*			32W	--	--	ON

* Factory default

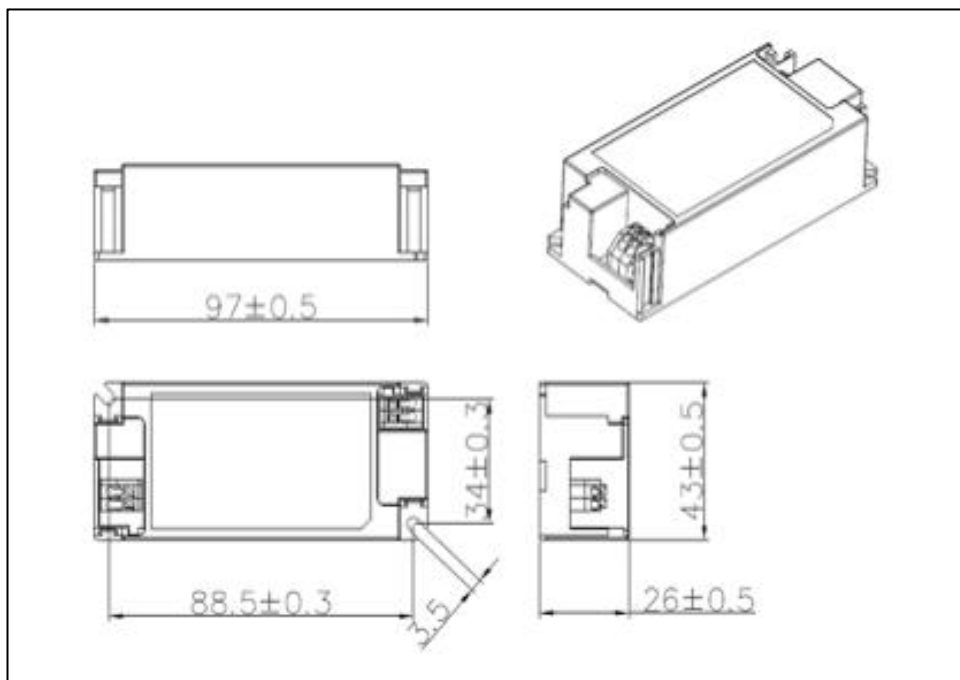
◆ Circuit Breaker

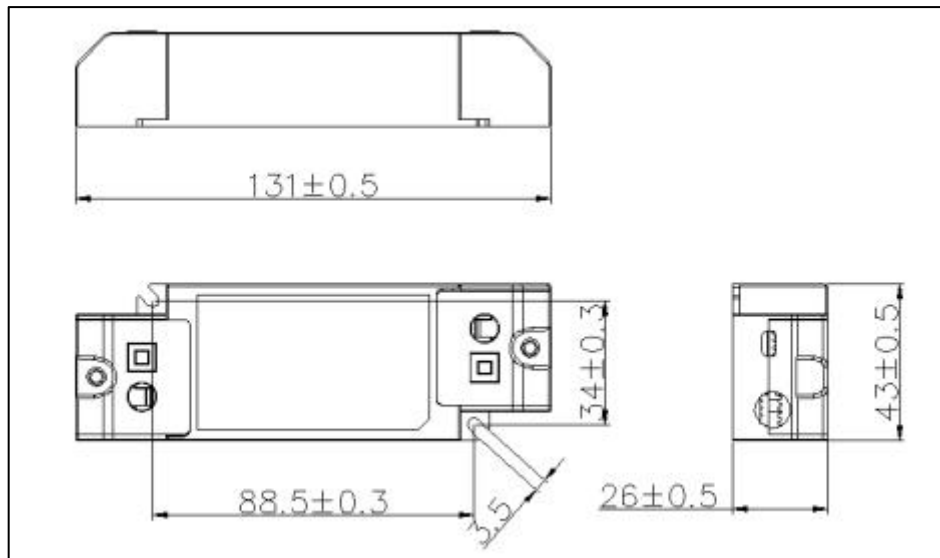
I ^{peak}	T ^{width}	B10	B16	B20	C10	C16	C20
4.82A	40μs	32pcs	51pcs	64pcs	32pcs	51pcs	64pcs

◆ **Wiring diagram**



◆ **2D diagram**



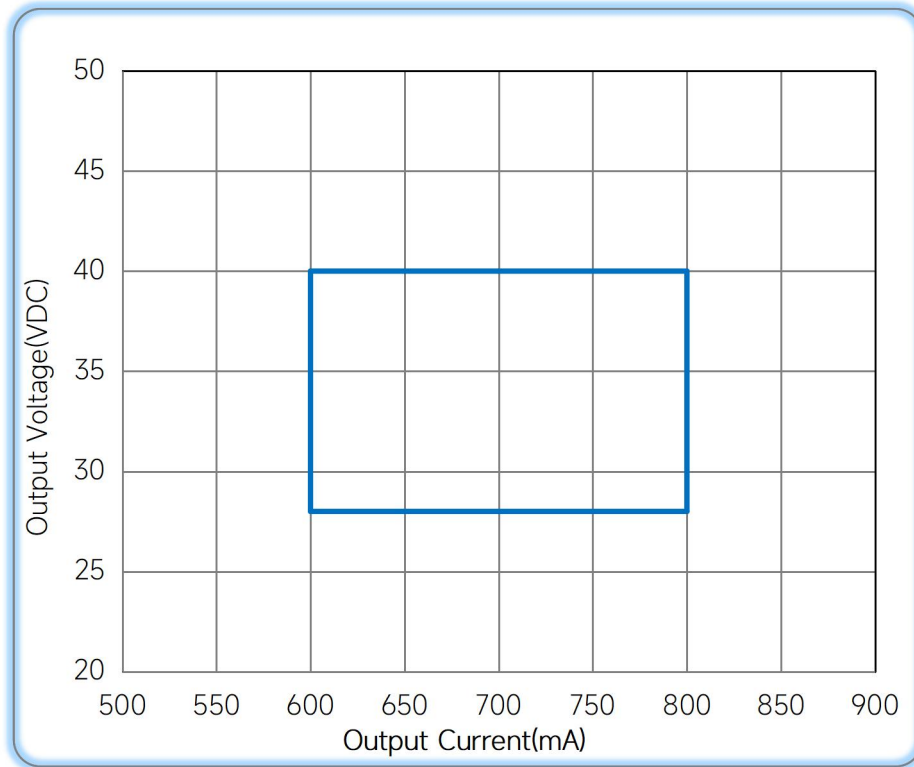
With side caps


coding:1320211748

◆ Wiring & Connections

	Specification item	Value (Unit)
Input	Input wire cross-section	0.5..1.5 mm ²
	Input wire gauge.	16..20 AWG
	Input wire strip length	7...9mm
Output	Output wire cross-section	0.5..1.5 mm ²
	Output wire gauge.	16..20 AWG
	Output wire strip length	7...9mm

◆ Operating window



— Operating window 100%

◆ Revision Updates

ITEM	BEFORE	AFTER	VERSION	DATE
Initial			A	2023/05/15

Tel: +86-0757-86256822, +86-0757-86256831

E-mail: sales@eaglerise.com

Website : <https://lighting.eaglerise.com>



EAGLERISE



Manual