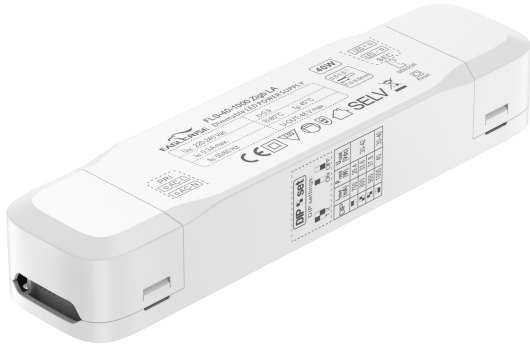


## 40W Zigbee Dimming power supply



■ Approve



### Features

- ZigBee 3.0 dimmable
- Class I/II, SELV, Independent
- Input Voltage: 220-240VAC
- Protections: SCP/OLP/OVP
- Power Factor:  $\geq 0.9$
- Efficiency:  $\geq 86\%$
- 5 years warranty

### Applications

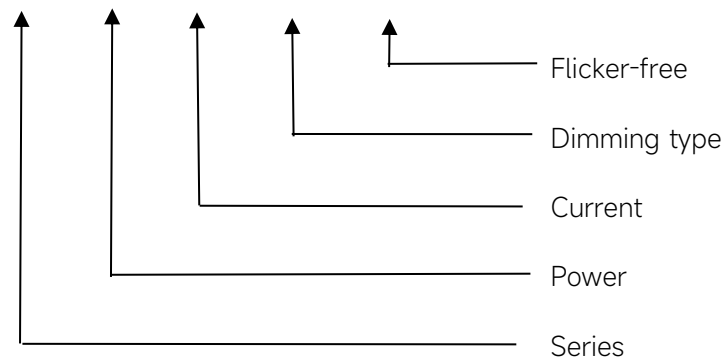
- LED panel/down/spot light  
COB light , Education lighting

### ◆ Description

FLS-40-1000 Zigb LA is a 40W constant current LED driver that operates from 198-264Vac input, output current is 700/800/900/1000mA. The output current is adjustable by DIP Switch. the LED driver fulfills the ZigBee 3.0 protocol, dimming level range 1%-100% controlled by ZigBee. With its good ripple current performance, it's very good for LED Panel, spot, down, and COB light, moreover, the optional CIO functional can provide enough brightness and save energy, especially for education lighting application. For trouble-free operation, protection is provided against output short circuit and over Load.

### ◆ Model code

#### FLS-40-1000 Zigb LA



## ◆ Specification

	Constant Current (mA)	700mA	800mA	900mA	1000mA
Output	Voltage Range(VDC)	30-42VDC			
	Unload voltage Max.(VDC)	48VDC			
	Current Accuracy	±5%			
	Output HF current ripple(≥1KHz)	±3%			
	Output LF current ripple(≤120Hz)	±3%			
	SVM	<0.1			
	Pst	<0.3			
	Efficiency(Typ.)	≥86% @Full Load, 230VAC			
	Input	Rated input voltage(VAC)	220-240VAC		
Range of input voltage(VAC)		198-264VAC			
Frequency(Hz)		50/60			
Displacement factor		≥0.9			
Power Factor		≥0.9 @Full Load, 230VAC			
Input Current max		0.3A Max.@Full Load			
Start-up time		< 1.5S			
No Load Power		≤0.5W			
Inrush Current		30A Max.			
Leakage Current		< 0.7mA (240VAC)			
THD (Typ.)		<15% @Full Load,230V/50Hz			
Dimming	Dimming	YES			
	Dimming mode	Zigbee			
	Dimming depth	1%			
	Dimming current range	1-100%			
Protection	Over Load Protection	103-120% YES/Auto Resume			
	Over Voltage Protection	YES/Auto Resume			
	Short circuit Protection	YES/Auto Resume			
Environment	Operating Temperature	-20°C~+45°C			
	Humidity	5%-85%RH			
	Tc	85°C			
	Storage Temperature	-40°C~+85°C			
	Life time	>50000@tc=75°C			
Surface	Dimension	187x 45 x 30.5 mm			
Standards	EN 61347-1/ GB 19510.1; EN 61347-2-13/ GB 19510.14				
Others	ErP	EU 2019/2020			
	RoHS	RoHS (2011/65/EU) (EU)2015/863			

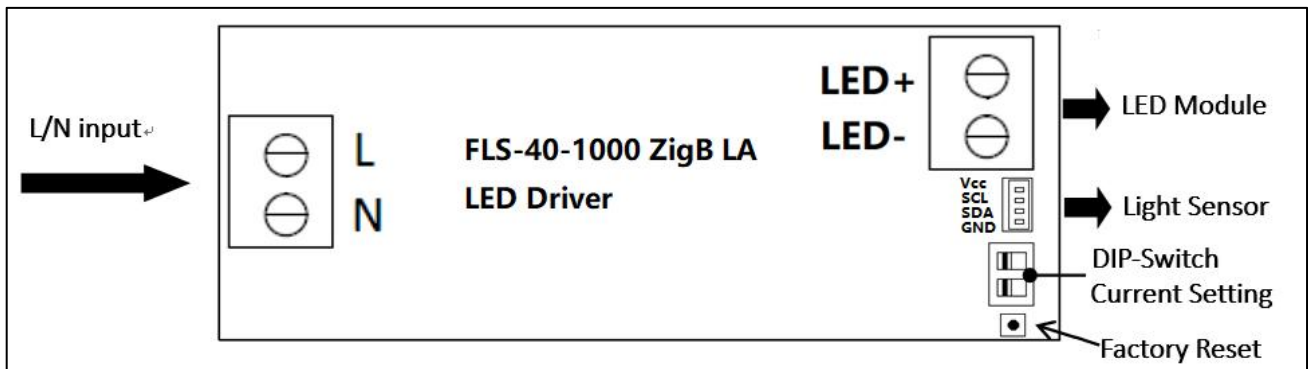
Note	<p>1.All parameters NOT specially mentioned are measured at 230VAC input , full load and 25°C of ambient temperature.</p> <p>2.Ripple &amp; Noise are measured at 20MHz of bandwidth by using a 300mm twisted pair-wire terminated with a 0.1uF &amp; 47 uF parallel capacitor.</p>
------	---

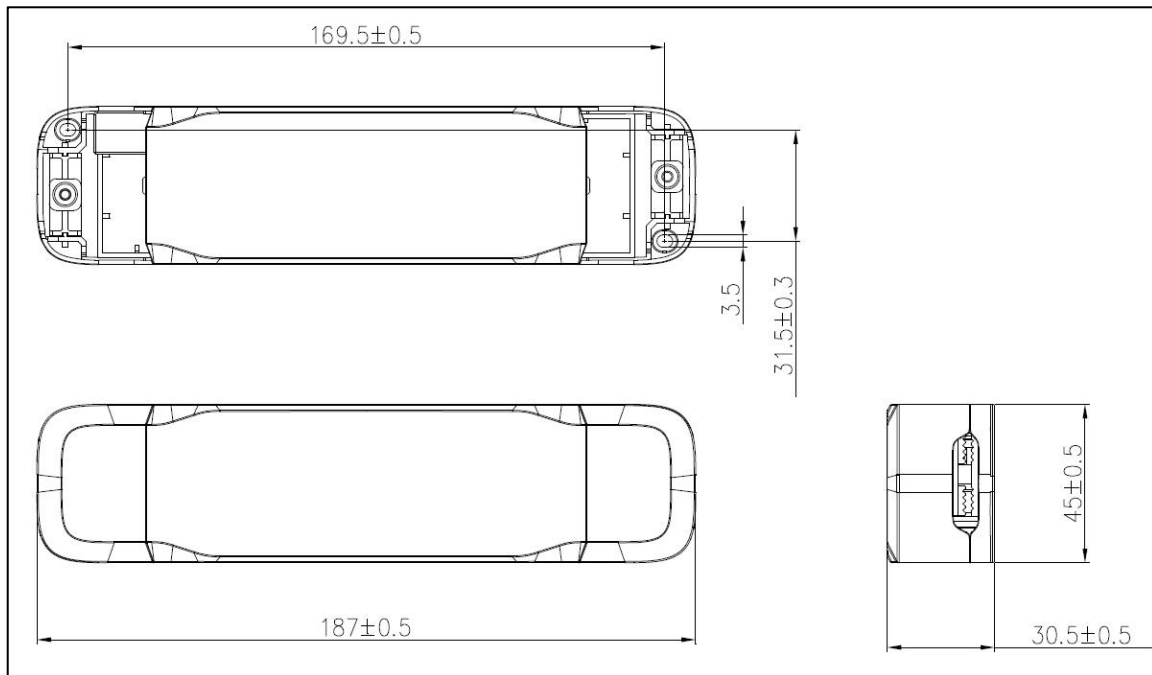
## ◆ Parameter

Number	Output				Switch position	
	Current (mA)	Voltage (VDC)	Voltage No load (VDC)	Power (W)	1	2
1	700mA	30-42V	48V	29.4W	ON	ON
2	800mA			33.6W	--	ON
3	900mA			37.8W	ON	--
4	1000mA			40W	--	--

\* Factory default

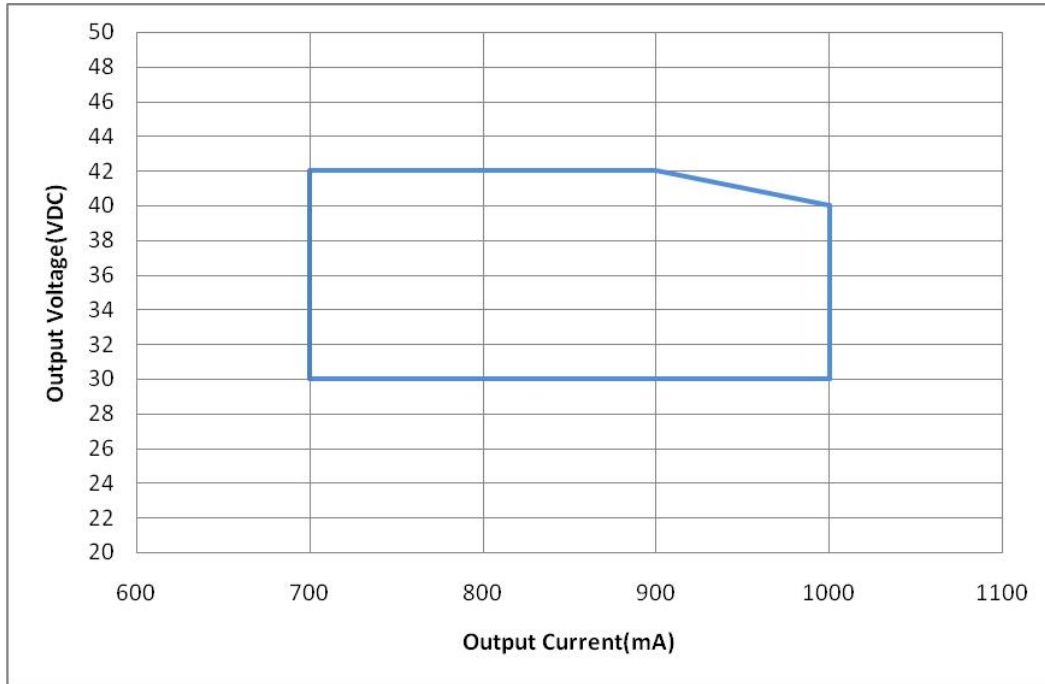
## ◆ Wiring diagram



**◆ 2D diagram**

**◆ Wiring & Connections**

	Specification item	Value (Unit )
Input	Input wire cross-section	0.5...1.5 mm <sup>2</sup>
	Input wire gauge.	16...20 AWG
	Input wire strip length	7...9mm
Output	Output wire cross-section	0.5...1.5 mm <sup>2</sup>
	Output wire gauge.	16...20 AWG
	Output wire strip length	7...9mm

### ◆ Operating window



— Operating window 100%

### ◆ Revision Updates

ITEM	BEFORE	AFTER	VERSION	DATE
Initial			A	2022/05/15

Tel: +86-0757-86256822, +86-0757-86256831

E-mail: sales@eaglerise.com

Website : <https://lighting.eaglerise.com>



EAGLERISE



Manual