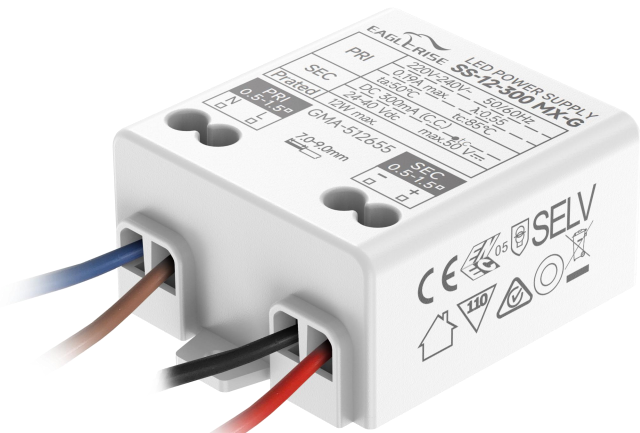


12W LED Driver Constant Current



■ Approve



Features

- Class II, SELV, Built-in
- Input Voltage 220-240VAC
- Protections: SCP/OLP/OVP
- Power Factor: 0.6C
- Efficiency: $\geq 80\%$
- 5 years warranty

Applications

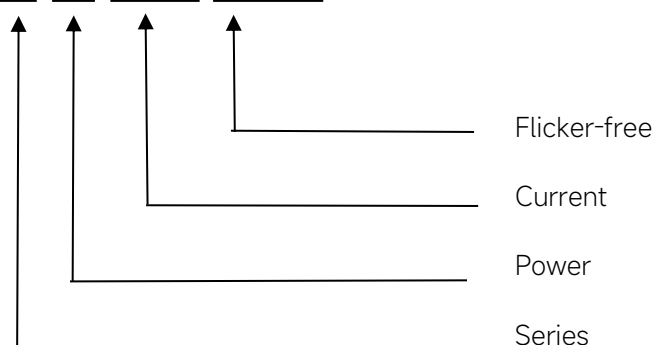
- Wall light

◆ Description

SS-12-XXX MX-G is a 12W constant current LED driver with 300 to 700mA output current. With its compact dimensions from 55x 41 x 21.5 mm it is easy to integrate in wall light products. To ensure trouble-free operation, protection is provided against output short circuit and over Load.

◆ Model code

SS-12-XXX MX-G



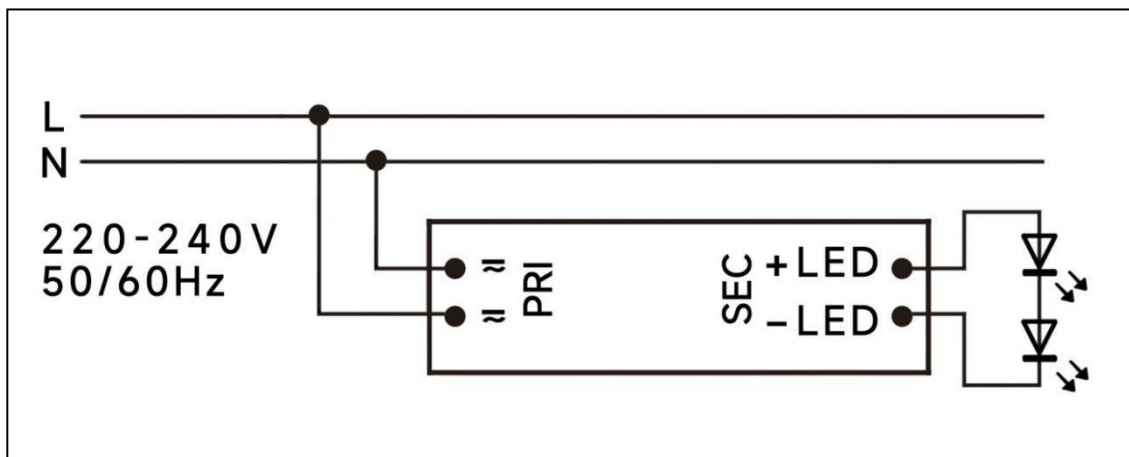
◆ Specification

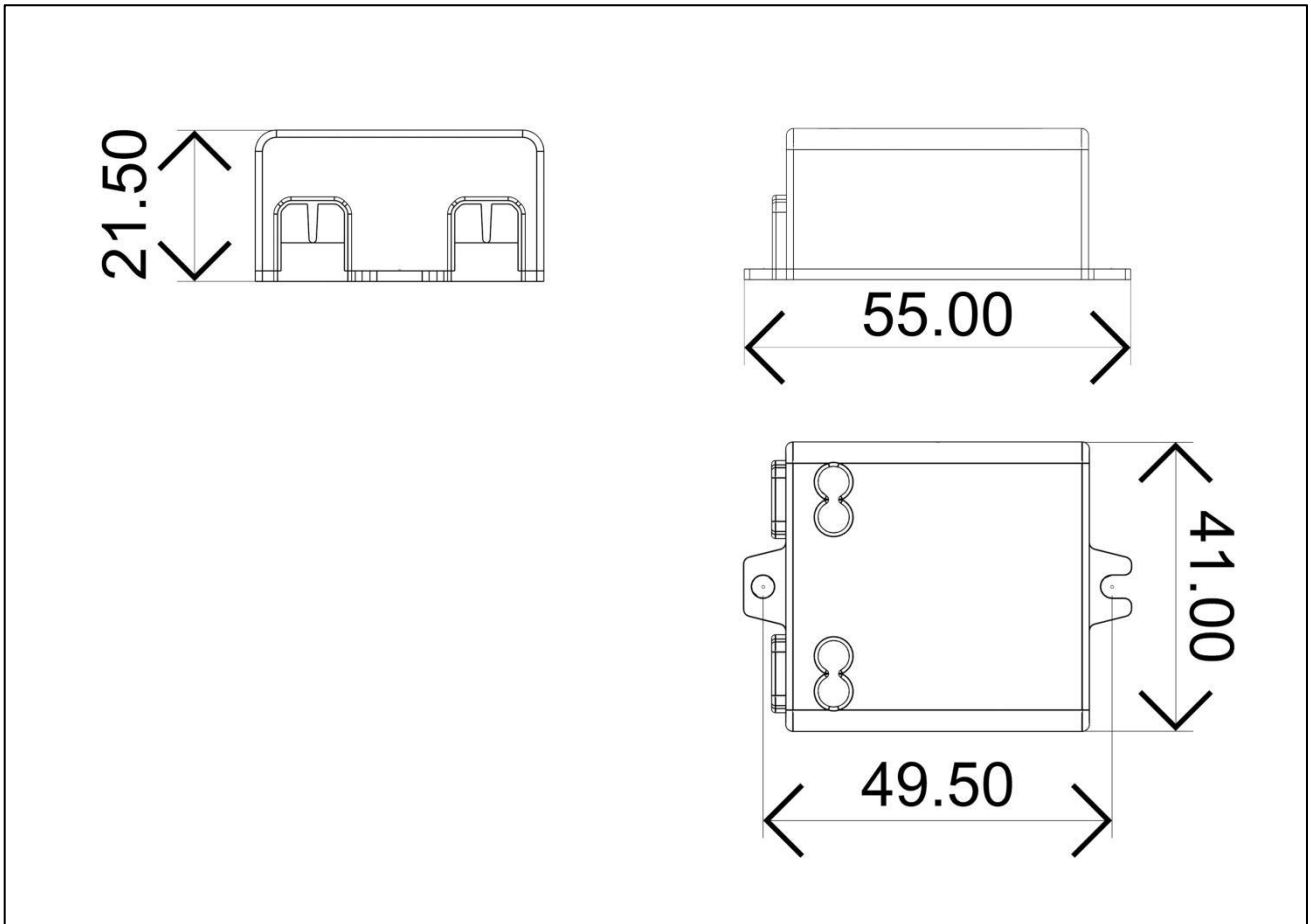
| | | | | | | |
|-------------|-------------------------------------------------------------------------------------------------------------------------------------------------------------------------------------------------------------------------------------------------------------------------------------------------------------------------------------------------------------------------------------------|--------------------------------|----------|--------|----------|--------|
| Output | Constant Current | 300mA | 350mA | 400mA | 500mA | 700mA |
| | Voltage Range | 24-40V | 20-34.5V | 18-30V | 14.5-24V | 10-18V |
| | Unload voltage Max. | 50V | 45V | 40V | 34V | 28V |
| | Current Accuracy | ±5% | | | | |
| | Output HF current ripple(≥1KHz) | ±5% | | | | |
| | Output LF current ripple(≤120Hz) | ±5% | | | | |
| | SVM | ≤0.4 | | | | |
| | Pst | ≤1 | | | | |
| | Efficiency(Typ.) | ≥80%@Full load,230V | | | | |
| Input | Rated input voltage | 220-240VAC | | | | |
| | Range of input voltage | 176-264VAC | | | | |
| | Frequency(Hz) | 50/60 Hz | | | | |
| | Displacement factor | ≥0.7 | | | | |
| | Power Factor | 0.6C@Full load,230V | | | | |
| | Start-up time | < 1S | | | | |
| | No Load Power | ≤0.5W | | | | |
| Protection | Over Load Protection | 103-120% YES/Auto Resume | | | | |
| | Over Voltage Protection | >50VDC | >45VDC | >40VDC | >34VDC | >28VDC |
| | Short circuit Protection | YES/Auto Resume | | | | |
| Environment | Operating Temperature | -20°C...+50°C | | | | |
| | Humidity | 20%-90%RH | | | | |
| | Tc | 85°C | | | | |
| | Storage Temperature | -40°C~+60°C | | | | |
| | Life time | > 50000h | | | | |
| Surface | Dimension | 55 x 41 x 21.5mm | | | | |
| standards | EN 61347-1; EN61347-2-13; EN62384; EN61000-3-2 ; EN61000-3-3; EN 61547; EN 61000-4-2; EN 61000-4-5 | | | | | |
| Others | ErP | EU 2019/2020 | | | | |
| | RoHS | RoHS (2011/65/EU) (EU)2015/863 | | | | |
| Note | <p>1.All parameters not specially mentioned are measured at 240VAC input , full load and 25°C of ambient temperature.</p> <p>2.Ripple & Noise are measured at 20MHz of bandwidth by using a 300mm twisted pair-wire terminated with a 0.1uF & 47 uF parallel capacitor.</p> <p>3.Switch and dimmer are not recommended to connect between this product output and luminaries.</p> | | | | | |

◆ Parameter

| Number | Model number | Input | | | Output | | | |
|--------|----------------|---------------|-------------|----------------|--------------|---------------|-----------------------|-----------|
| | | Voltage (VAC) | Current (A) | Frequency (Hz) | Current (mA) | Voltage (VDC) | Voltage No load (VDC) | Power (W) |
| 1 | SS-12-300 MX-G | 220-240 | 0.19 | 50/60 Hz | 300mA | 24-40V | 50 | 12 |
| 2 | SS-12-350 MX-G | 220-240 | 0.19 | 50/60 Hz | 350mA | 20-34.5VDC | 45 | 12.1 |
| 3 | SS-12-400 MX-G | 220-240 | 0.19 | 50/60 Hz | 400mA | 18-30V | 40 | 12 |
| 4 | SS-12-500 MX-G | 220-240 | 0.19 | 50/60 Hz | 500mA | 14.5-24VDC | 34 | 12 |
| 5 | SS-12-700 MX-G | 220-240 | 0.19 | 50/60 Hz | 700mA | 10-18 | 28 | 12.6 |

◆ Wiring diagram

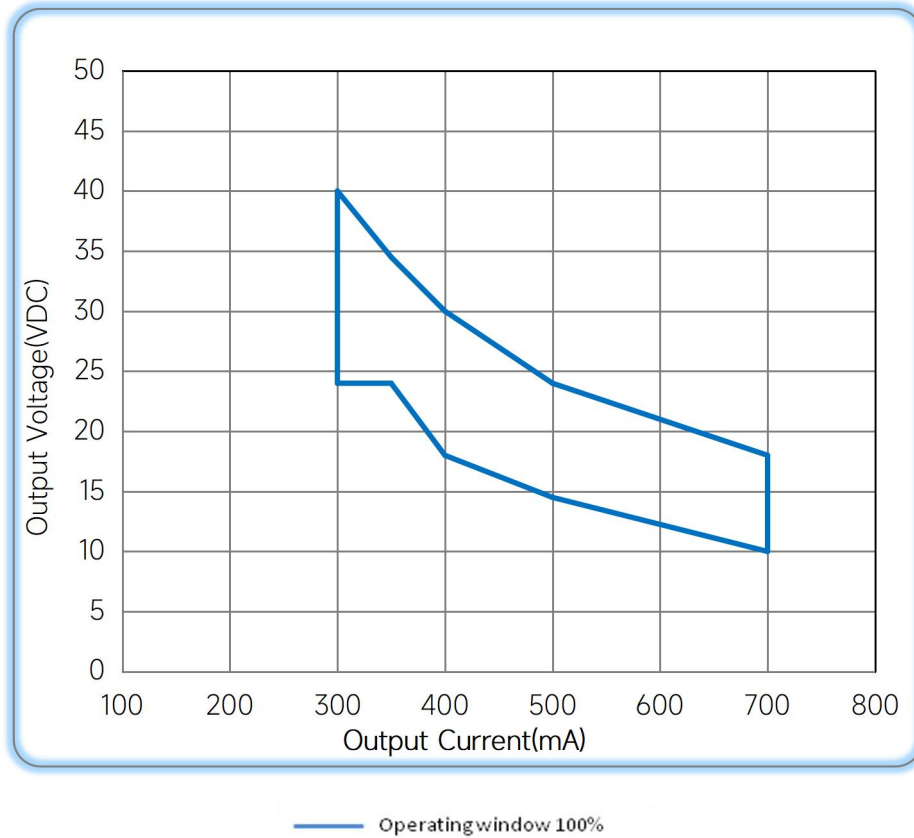


◆ 2D diagram

◆ Wiring & Connections

| TYPE | Total Length | Outside Color | Inside Wires Color | Wire Model/Diameter |
|-------------|--------------|---------------|--------------------|------------------------------|
| Input wire | 0.36M | Black | Brown/Blue | H05RN-F/2x1.0mm ² |
| Output wire | 0.36M | Black | Red/Black | H05RN-F/2x1.0mm ² |

Note: Wire length of input and output can be changed as customer's requirement

◆ Operating window



◆ Revision Updates

| ITEM | BEFORE | AFTER | VERSION | DATE |
|---------|--------|-------|---------|------------|
| Initial | | | A | 2022/05/15 |
| | | | | |

Tel: +86-0757-86256822, +86-0757-86256831

E-mail: sales@eaglerise.com

Website : <https://lighting.eaglerise.com>



EAGLERISE



Manual