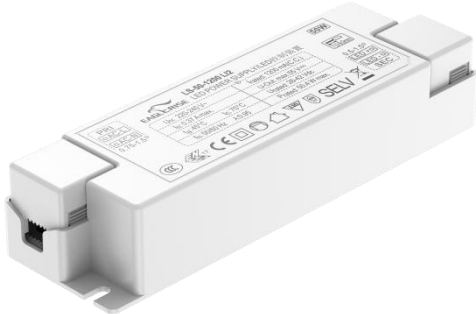


50W Constant Current power supply



■ Approve



Features

- Class II, SELV, independent
- Input Voltage 220-240VAC
- Protections: SCP/OLP/OVP
- Power Factor : 0.95@Full load ,230V
- Efficiency : 90%@Full load ,230V
- 5 years warranty

Applications

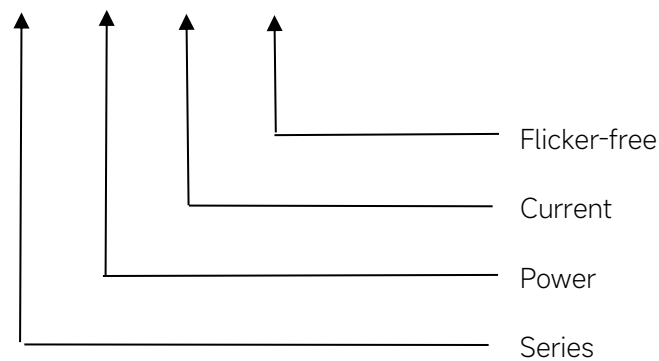
- LED panel、LED down light
- LED spot light

◆ Description

LS-50-XXX LI2 is a 50W constant current LED driver with 500 to 1250mA output current. With it's compact dimensions from 150 x 45 x 30mm it is easy to integrate in LED Panel, spot, down lights. To ensure trouble-free operation, protection is provided against output short circuit and over Load.

◆ Model code

LS-50-XXX LI2



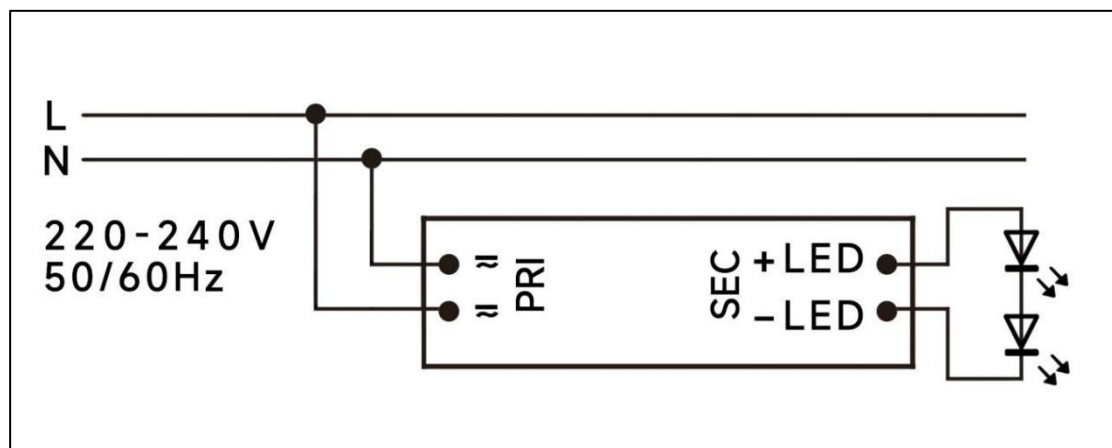
◆ Specification

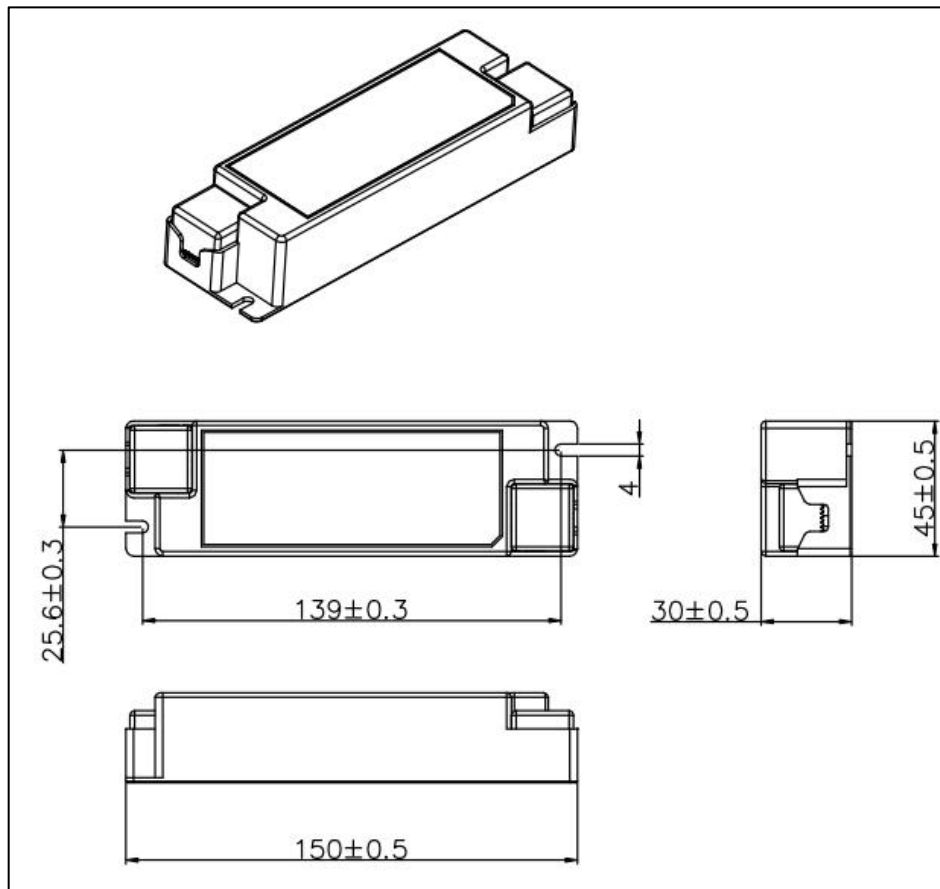
Output	Constant Current	500mA	550mA	600mA	...	1250mA
	Voltage Range	70-100VDC	63-90VDC	56-80VDC	...	28-40VDC
	Unload voltage Max.	118VDC	110VDC	100VDC	...	55VDC
	Current Accuracy	±5%				
	Output HF current ripple(≥1KHz)	±5%				
	Output LF current ripple(≤120Hz)	±5%				
	SVM	≤0.4@Full Load				
	P _{st}	≤1@Full Load				
	Efficiency(Typ.)	90%@Full load ,230V				
Input	Rated input voltage	220-240VAC				
	Range of input voltage	198-264VAC				
	Frequency(Hz)	50/60 Hz				
	Displacement factor	≥0.9				
	Power Factor	0.95@Full load ,230V				
	Input Current max	0.37A				
	Start-up time	< 0.5S				
	No Load Power	≤0.5W				
	THD (Typ.)	10%				
Protection	Over Load Protection	103-120%				
		YES/Auto Resume				
	Over Voltage Protection	> 118VDC	> 110VDC	> 100VDC	...	> 55VDC
	YES/Auto Resume					
	Short circuit Protection YES/Auto Resume					
Environment	Operating Temperature	-20°C~+45°C				
	Humidity	20%-90%RH				
	Tc	75°C				
	Storage Temperature	-25°C~+60°C				
	Life time	> 50000h@Tc=75°C,230VAC				
Surface	Dimension	150X45X30(LXWXH)mm				
standards	EN 61347-1; EN61347-2-13; EN62384; EN55015; EN61000-3-2; EN61000-3-3; EN 61547					
Others	ErP	EU 2019/2020				
	RoHS	RoHS (2011/65/EU) (EU)2015/863				
Note	<p>1.All parameters NOT specially mentioned are measured at 230VAC input , full load and 25°C of ambient temperature.</p> <p>2.Ripple & Noise are measured at 20MHz of bandwidth by using a 300mm twisted pair-wire terminated with a 0.1uF & 47 uF parallel capacitor.</p>					

◆ Parameter

Number	Model number	Input			Output			
		Voltage (VAC)	Current (A)	Frequency (Hz)	Current (mA)	Voltage (VDC)	Voltage No load (VDC)	Power (W)
1	LS-50-500 LI2	220-240	0.37	50/60	500	70-100	118	50
2	LS-50-550 LI2				550	63-90	110	49.5
3	LS-50-600 LI2				600	56-80	100	48
4	LS-50-650 LI2				650	52-76	95	49.4
5	LS-50-700 LI2				700	50-72	90	50.4
6	LS-50-750 LI2				750	45-67	80	50.3
7	LS-50-800 LI2				800	42-63	78	50.4
8	LS-50-850 LI2				850	40-59	75	50.2
9	LS-50-900 LI2				900	38-56	70	50.4
10	LS-50-950 LI2				950	35-52	65	49.4
11	LS-50-1000 LI2				1000	35-50	62	50
12	LS-50-1050 LI2				1050	32-48	60	50.4
13	LS-50-1100 LI2				1100	30-45	58	49.5
14	LS-50-1150 LI2				1150	28-42	55	48.3
15	LS-50-1200 LI2				1200	28-42	55	50.4
*16	LS-50-1250 LI2	1250	28-40	55	50			

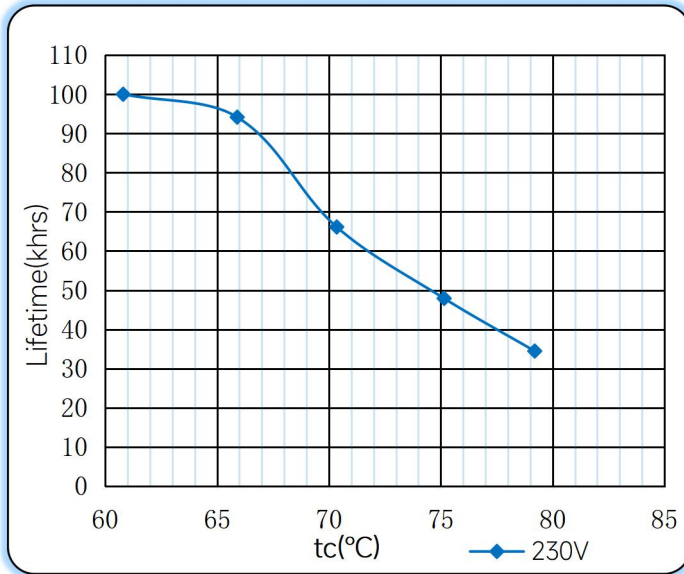
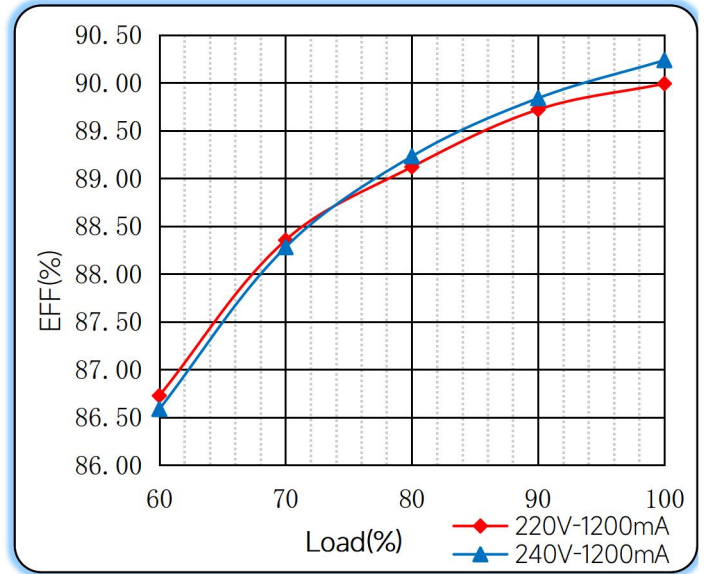
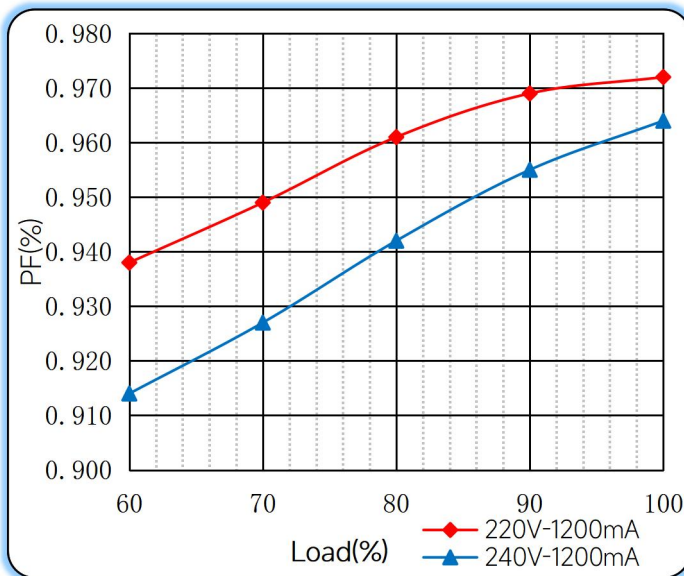
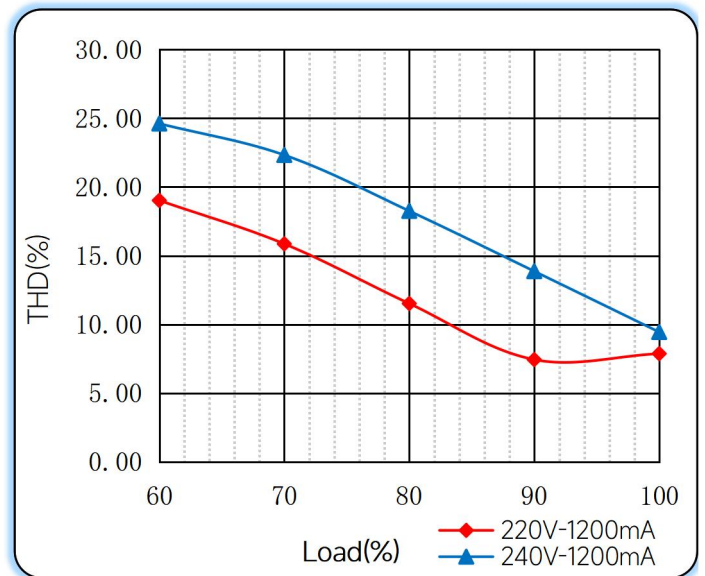
◆ Wiring diagram



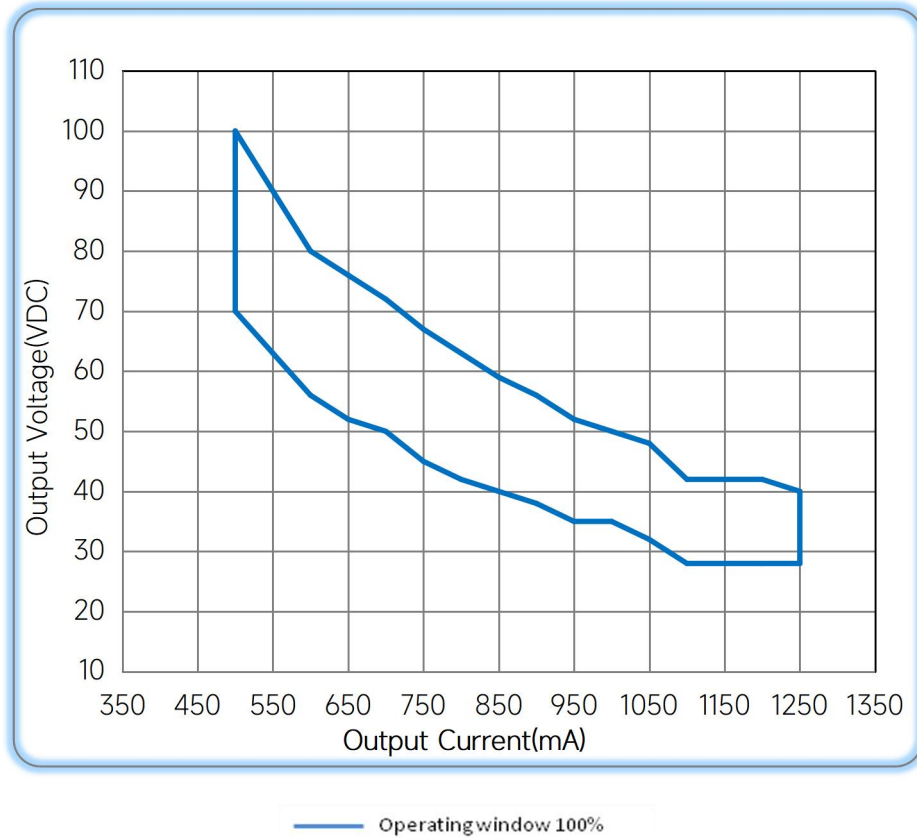
◆ 2D diagram

◆ Wiring & Connections

Specification item		Value (Unit)
Input	Input wire cross-section	0.5...1.5 mm ²
	Input wire gauge.	16...20 AWG
	Input wire strip length	7...9mm
Output	Output wire cross-section	0.5...1.5 mm ²
	Output wire gauge.	16...20 AWG
	Output wire strip length	7...9mm

◆ Curve for LS-50-1200 LI2, I_o=1200mA

Lifetime vs. Temperature Curve

Efficiency vs. Load

Power Factor Characteristics

THD vs. Load


◆ Operating window



◆ Revision Updates

ITEM	BEFORE	AFTER	VERSION	DATE
Initial			A	2022/05/15

Tel: +86-0757-86256822, +86-0757-86256831

E-mail: sales@eaglerise.com

Website : <https://lighting.eaglerise.com>



EAGLERISE



Manual