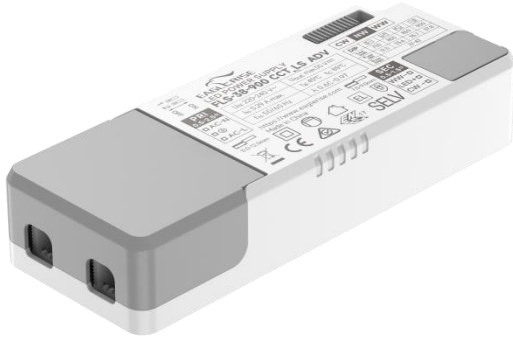


38W Constant Current CCT power supply



■ Approve



Features

- Class II, SELV, independent
- Input Voltage: 220-240VAC
- Protections: SCP/OLP/OVP
- Power Factor: 0.85C-0.97
- Efficiency: 89%
- 5 years warranty
- IP20

Applications

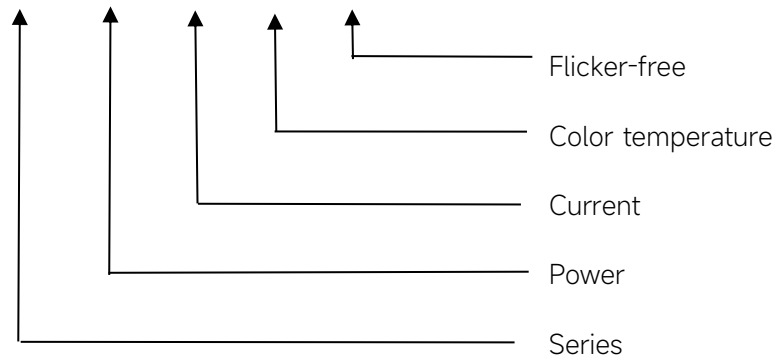
LED panel

◆ Description

FLS-38-900 CCT LS ADV is a 38W constant current LED driver with 750 to 900mA output current and a forward voltage range from 27 to 42Vdc. The output current is adjustable by DIP Switch. With its dimensions from 133.5X50X26 mm it is easy to integrate in LED panel. To ensure trouble-free operation, protection is provided against output short circuit and over Load.

◆ Model code

FLS-38-900 CCT LS ADV



◆ Specification

	Constant Current (mA)	750mA	800mA	850mA	900mA
Output	Voltage Range(VDC)	27-42V			
	Unload voltage Max.(VDC)	55VDC			
	Current Accuracy	±5%			
	Output HF current ripple(≥1KHz)	±4%			
	Output LF current ripple(≤120Hz)	±3%			
	SVM	≤0.01			
	Pst	≤0.5			
	Efficiency(Typ.)	89%@Full load			
	Input	Rated input voltage(VAC)	220-240VAC		
Range of input voltage(VAC)		176-264VAC			
Range of input voltage(VDC)		176-280VDC			
Frequency(Hz)		0/50/60 Hz			
Displacement factor		≥0.9			
Power Factor		0.85C-0.97			
Input Current max		290mA			
Start-up time		< 0.5S			
No Load Power		≤0.5W			
Standby Power		≤0.5W			
THD (Typ.)		<10%@Full load			
Protection	Over Load Protection	103-120%			
		YES/Auto Resume			
	Over Voltage Protection	55VDC YES/Auto Resume			
Short circuit Protection	YES/Auto Resume				
Environment	Operating Temperature	-25°C~+45°C			
	Humidity	20%-90%RH			
	Tc	85°C			
	Storage Temperature	-40°C~+80°C			
	Life time	> 50000h@Tc=75°C			
Surface standards	Dimension	133.5X50X26mm			
Others	ErP	EU 2019/2020			
	RoHS	RoHS (2011/65/EU) (EU)2015/863			
Note	1.All parameters NOT specially mentioned are measured at 230VAC input , full load and 25°C of ambient temperature. 2.Ripple & Noise are measured at 20MHz of bandwidth by using a 300mm twisted pair-wire terminated with a 0.1uF & 47 uF parallel capacitor.				

◆ Parameter

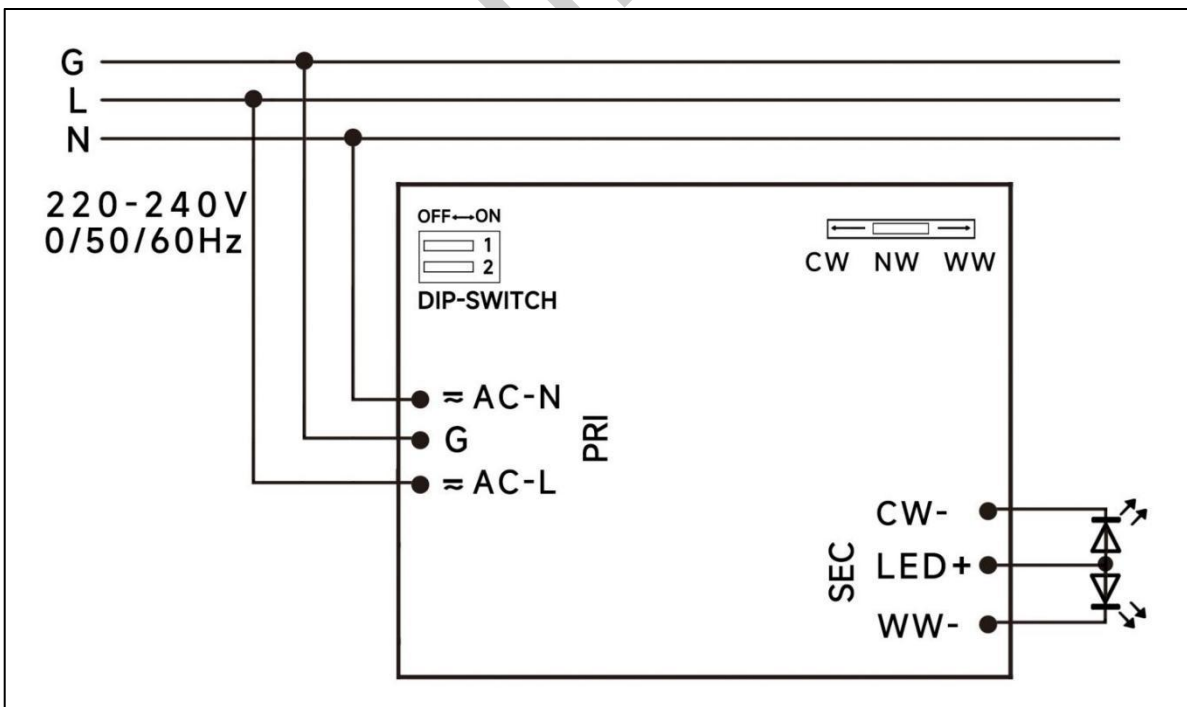
Number	Output				Switch position	
	Current (mA)	Voltage (VDC)	Voltage No load (VDC)	Power (W)	1	2
1	750mA	27-42VDC	55	31.5	--	--
2	800mA		55	33.6	ON	--
3	850mA		55	35.7	--	ON
4	900mA		55	37.8	ON	ON

* Factory default

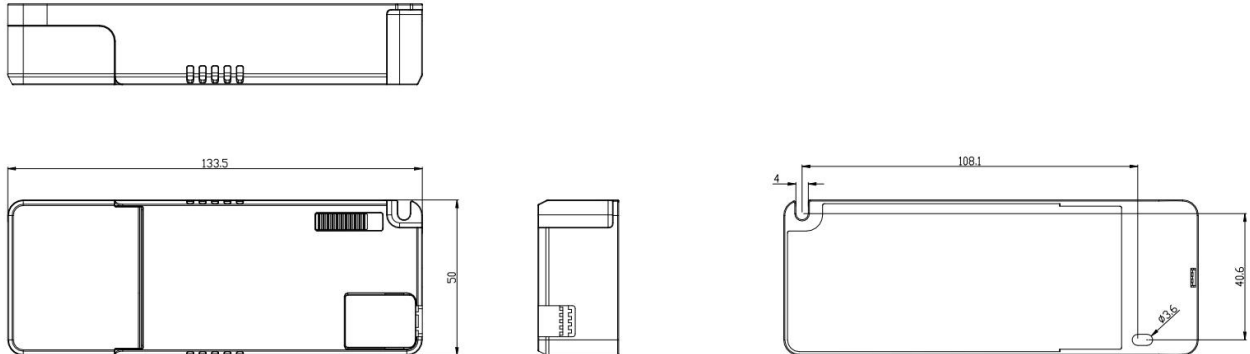
◆ Circuit Breaker

I _{peak}	T _{width}	B10	B16	B20	C10	C16	C20
21.4A	148μs	26pcs	42pcs	52pcs	27pcs	44pcs	55pcs

◆ Wiring diagram



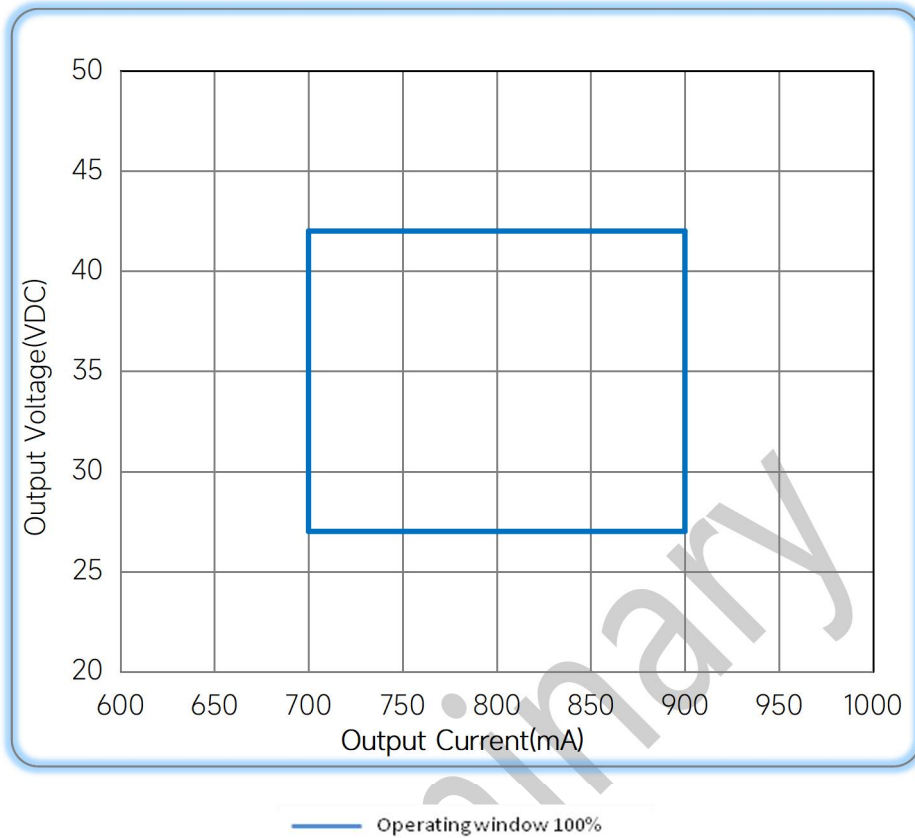
◆ 2D diagram



◆ Wiring & Connections

Specification item		Value (Unit)
Input	Input wire cross-section	0.5...1.5 mm ²
	Input wire gauge.	16...20 AWG
	Input wire strip length	7...9mm
Output	Output wire cross-section	0.5...2.5 mm ²
	Output wire gauge.	16...20 AWG
	Output wire strip length	7...9mm

◆ **Operating window**



◆ **Revision Updates**

ITEM	BEFORE	AFTER	VERSION	DATE
Initial			A	2022/05/15
Power Factor	0.95	0.85C-0.97	B	2023/03/17

Tel: +86-0757-86256822, +86-0757-86256831

E-mail: sales@eaglerise.com

Website : <https://lighting.eaglerise.com>



EAGLERISE



Manual