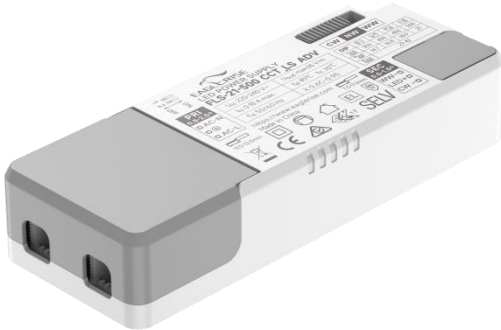


21W Constant Current CCT power supply



■ Approve



Features

- Class II, SELV, independent
- Input Voltage: 220-240VAC
- Protections: SCP/OLP/OVP/OTP
- Power Factor: 0.85C-0.97
- Efficiency: 88%
- 5 years warranty
- IP20

Applications

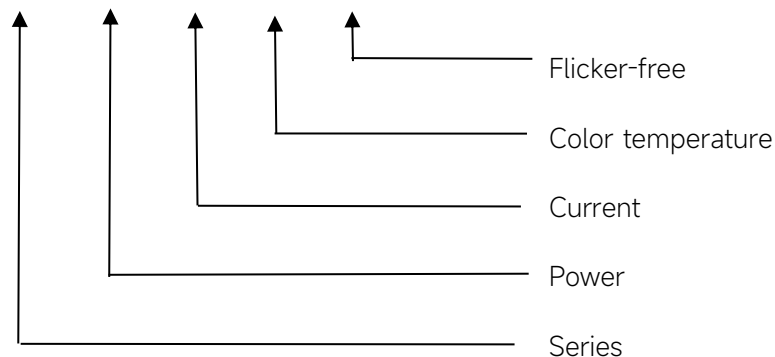
LED panel

◆ Description

FLS-21-500 CCT LS ADV is a 21W constant current LED driver with 300 to 500mA output current and a forward voltage range from 27 to 42Vdc. The output current is adjustable by DIP Switch. With its dimensions from 133.5x50x36 mm it is easy to integrate in LED panel. To ensure trouble-free operation, protection is provided against output short circuit and over Load.

◆ Model code

FLS-21-500 CCT LS ADV



◆ Specification

	Constant Current (mA)	350mA	400mA	450mA	500mA
Output	Voltage Range(VDC)	27-42VDC			
	Unload voltage Max.(VDC)	55VDC			
	Current Accuracy	±5%			
	Output HF current ripple(≥1KHz)	±5%			
	Output LF current ripple(≤120Hz)	±3%			
	SVM	≤0.4			
	Pst	≤1			
	Efficiency(Typ.)	88%@Full load			
	Input	Rated input voltage(VAC)	220-240VAC		
Range of input voltage(VAC)		176-264VAC			
Range of input voltage(VDC)		176-280VDC			
Frequency(Hz)		0/50/60 Hz			
Displacement factor		≥0.9			
Power Factor		0.85C-0.97			
Input Current max		180mA			
Start-up time		< 0.5S			
No Load Power		≤0.5W			
Standby Power		≤0.5W			
THD (Typ.)		<10%@Full load			
Protection		Over Load Protection	103-120% YES/Auto Resume		
	Over Voltage Protection	55VDC YES/Auto Resume			
	Short circuit Protection	YES/Auto Resume			
	Over Temperature Protection	YES/Auto Resume			
Environment	Operating Temperature	-20°C~+45°C			
	Humidity	20%-90%RH			
	Tc	75°C			
	Storage Temperature	-40°C~+80°C			
	Life time	>50000h,@Tc=75°C			
Surface	Dimension	133.5x50x36 mm			
standards	EN 61547; EN 61347-1,EN 61347-2-13; IEC 61347-1,IEC 61347-2-13; EN 62384; EN 615471				
Others	ErP	EU 2019/2020			
	RoHS	RoHS (2011/65/EU) (EU)2015/863			
Note	1.All parameters NOT specially mentioned are measured at 230VAC input , full load and 25°C of ambient temperature. 2.Ripple & Noise are measured at 20MHz of bandwidth by using a 300mm twisted pair-wire terminated with a 0.1uF & 47 uF parallel capacitor.				

◆ Parameter

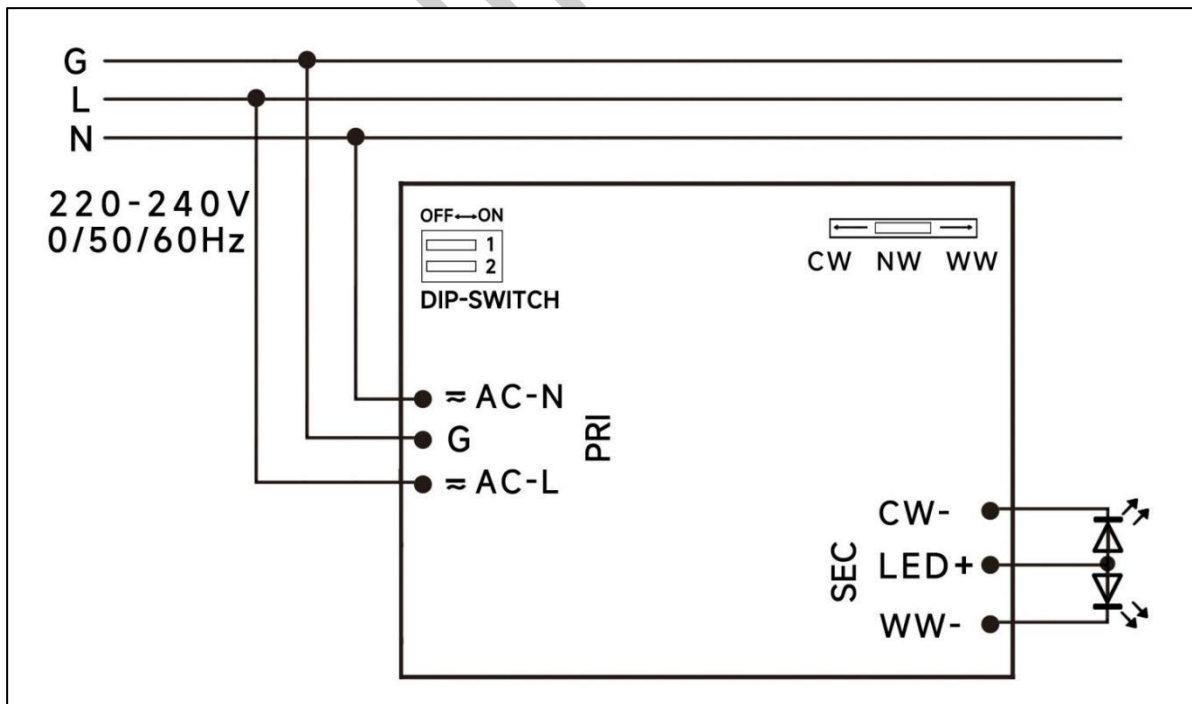
Number	Output				Switch position	
	Current (mA)	Voltage (VDC)	Voltage No load (VDC)	Power (W)	1	2
1	350mA	27-42V	55V	14.7	--	--
2	400mA			16.8	ON	--
3	450mA			18.9	--	ON
*4	500mA			21	ON	ON

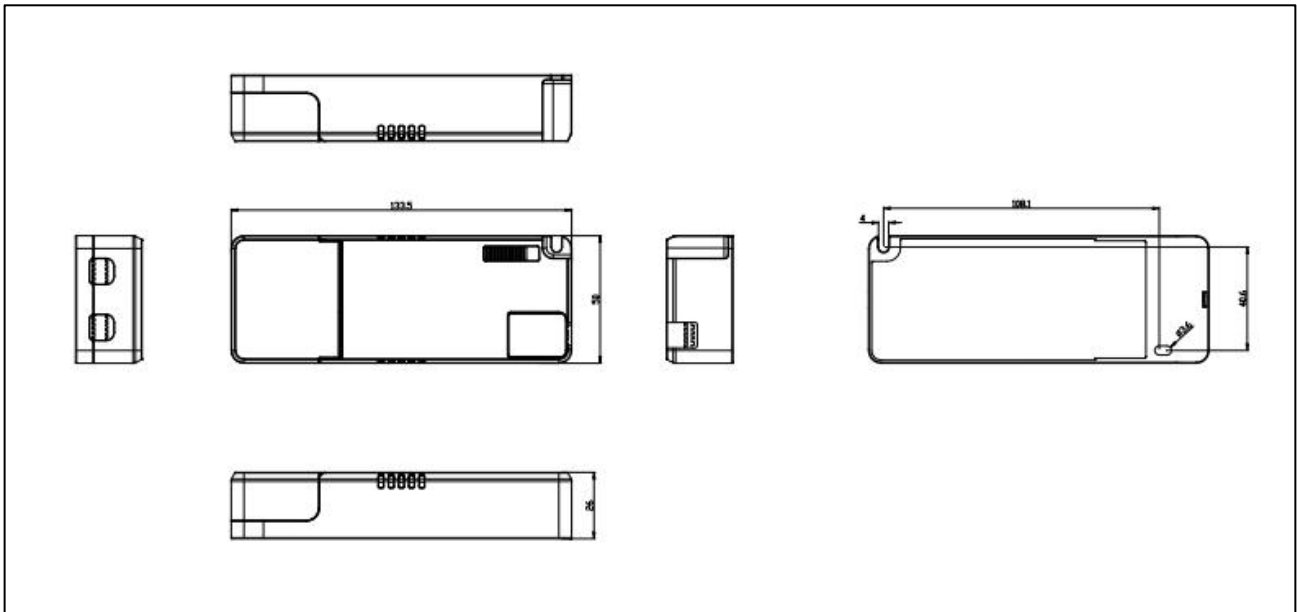
* Factory default

◆ Circuit Breaker

I _{peak}	T _{width}	B10	B16	B20	C10	C16	C20
20A	136μs	30pcs	49pcs	61pcs	44pcs	71pcs	88pcs

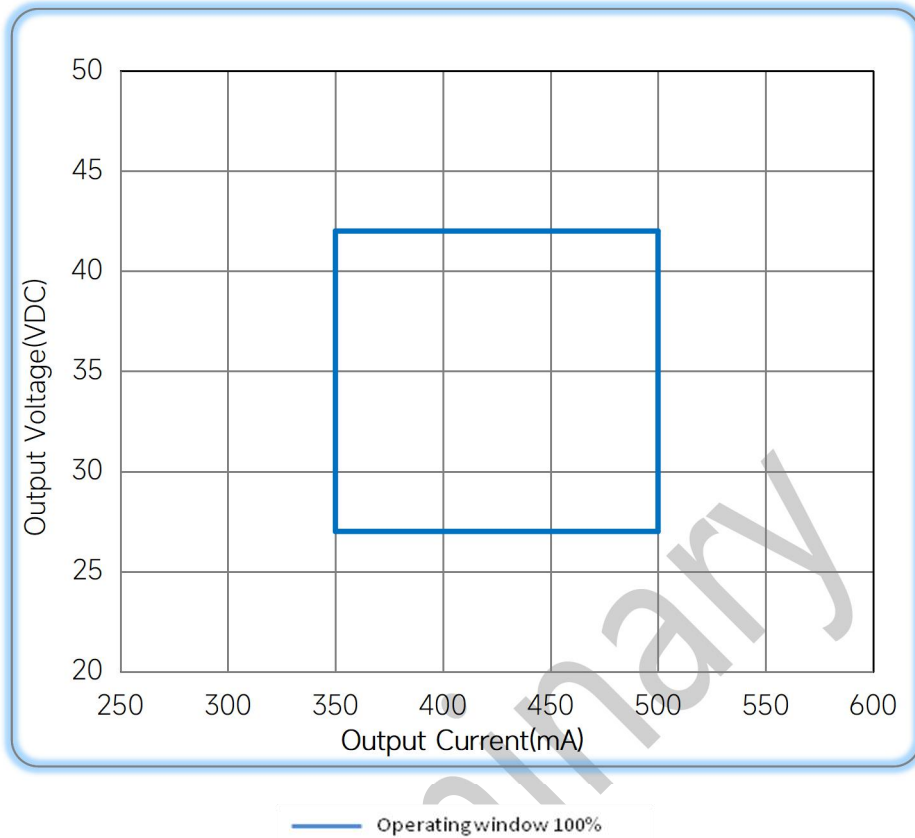
◆ Wiring diagram



◆ 2D diagram

◆ Wiring & Connections

Specification item		Value (Unit)
Input	Input wire cross-section	0.5...1.5 mm ²
	Input wire gauge.	16...20 AWG
	Input wire strip length	7...9mm
Output	Output wire cross-section	0.5...2.5 mm ²
	Output wire gauge.	16...20 AWG
	Output wire strip length	7...9mm

◆ **Operating window**



◆ **Revision Updates**

ITEM	BEFORE	AFTER	VERSION	DATE
Initial			A	2022/05/15
Power Factor	0.95	0.85C-0.97	B	2023/03/17

Tel: +86-0757-86256822, +86-0757-86256831

E-mail: sales@eaglerise.com

Website : <https://lighting.eaglerise.com>



EAGLERISE



Manual