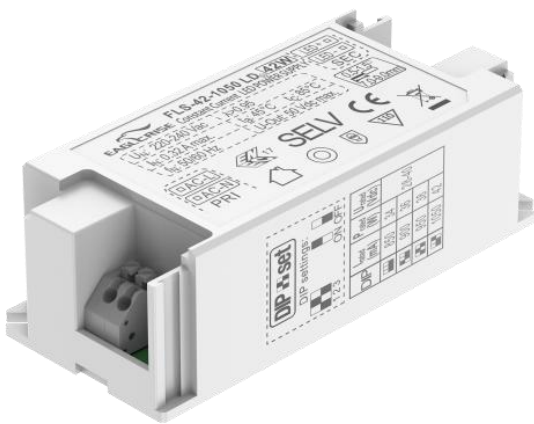


42W Constant current Dip Switch-FLS Series



■ Approve

CE CB SELV

Features

- Class II, SELV, built-in/independent
- Input Voltage 220-240VAC
- Protections: SCP/OLP/OVP
- Power Factor: ≥ 0.95
- Efficiency: $\geq 87\%$
- 5 years warranty

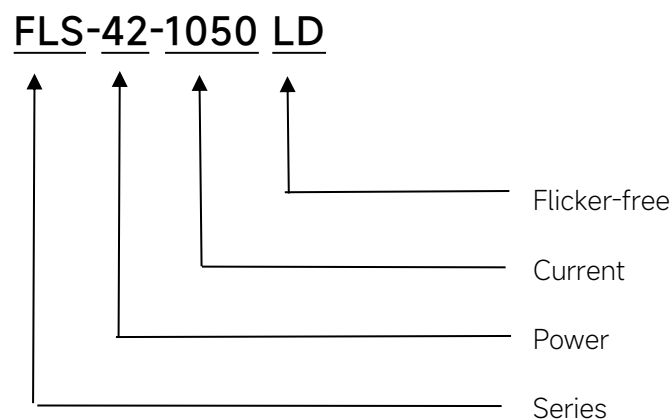
Applications

- LED strips, LED panel
- Down light, Track spot light

◆ Description

FLS-42-1050 LD is a 42W constant current LED driver with 850 to 1050mA output current and a forward voltage range from 28 to 40Vdc. The output current is adjustable by DIP Switch. With it's compact dimensions from 97 x 43 x 26mm it is easy to integrate in LED Panel and down light products. The side covers are available as accessories and allow to use the LED driver independent.

◆ Model code



◆ Specification

	Constant Current	850mA	900mA	950mA	1050mA
Output	Voltage Range	28-40VDC			
	Unload voltage Max.	50VDC			
	Current Accuracy	±5%			
	Output HF current ripple(≥1KHz)	±5%			
	Output LF current ripple(≤120Hz)	±5%			
	SVM	≤0.4@Full Load			
	Pst	≤1@Full Load			
	Efficiency(Typ.)	≥87%			
	Input	Rated input voltage	220-240VAC		
Range of input voltage		198-264VAC			
Frequency(Hz)		50/60 Hz			
Displacement factor		≥0.9			
Power Factor		≥0.95			
Input Current max		0.32A			
Start-up time		< 0.5S			
No Load Power		≤0.5W			
THD (Typ.)		< 10%			
Protection	Over Load Protection	103-120% YES/Auto Resume			
	Over Voltage Protection	> 50VDC YES/Auto Resume			
	Short circuit Protection	YES/Auto Resume			
Environment	Operating Temperature	-20°C~+45°C			
	Humidity	20%-90%RH			
	Tc	85°C			
	Storage Temperature	-40°C~+80°C			
	Life time	> 50000h@Tc=75°C,230VAC			
Surface	Dimension	131X43X26(LXWXH)mm (Without side caps) : 97X43X26(LXWXH)mm			
standards	EN 61347-1; EN61347-2-13; EN62384; EN55015; EN61000-3-2 ; EN61000-3-3; EN 61547				
Others	ErP	EU 2019/2020			
	RoHS	RoHS (2011/65/EU) (EU)2015/863			
Note	1.All parameters NOT specially mentioned are measured at 240VAC input , Io=800mA, full load and 25°C of ambient temperature. 2.Ripple & Noise are measured at 20MHz of bandwidth by using a 300mm twisted pair-wire terminated with a 0.1uF & 47 uF parallel capacitor.				

◆ Parameter

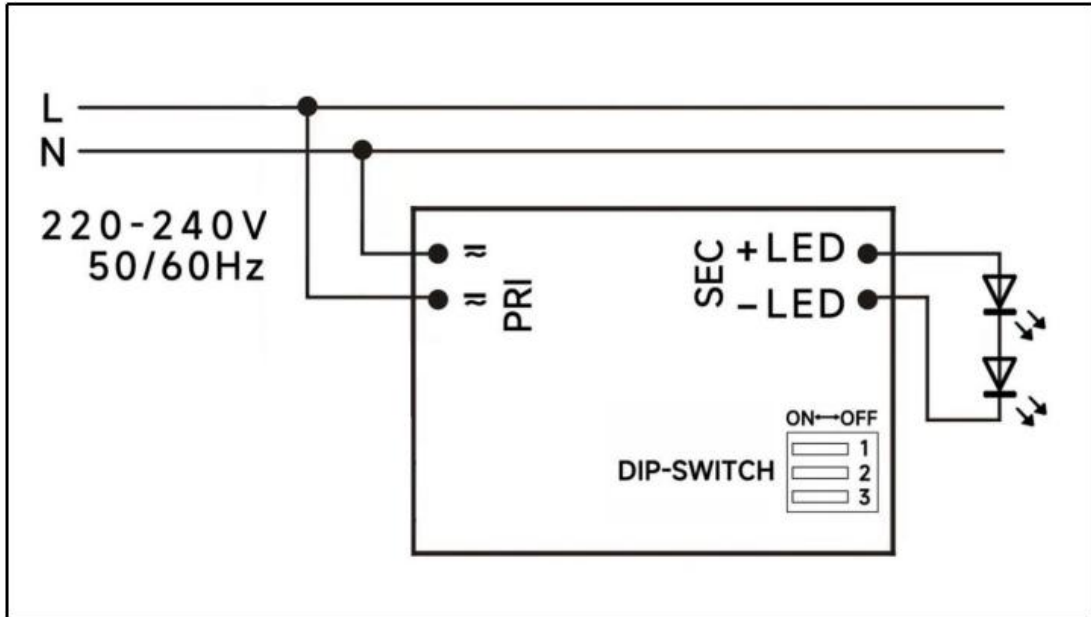
Number	Output				Switch position		
	Current (mA) I1+I2	Voltage (VDC)	Voltage No load (VDC)	Power (W)	1	2	3
1	850mA	28-40	50	34W	--	--	--
2	900mA			36W	ON	--	--
3	950mA			38W	--	ON	--
4	1050mA*			42W	--	--	ON

* Factory default

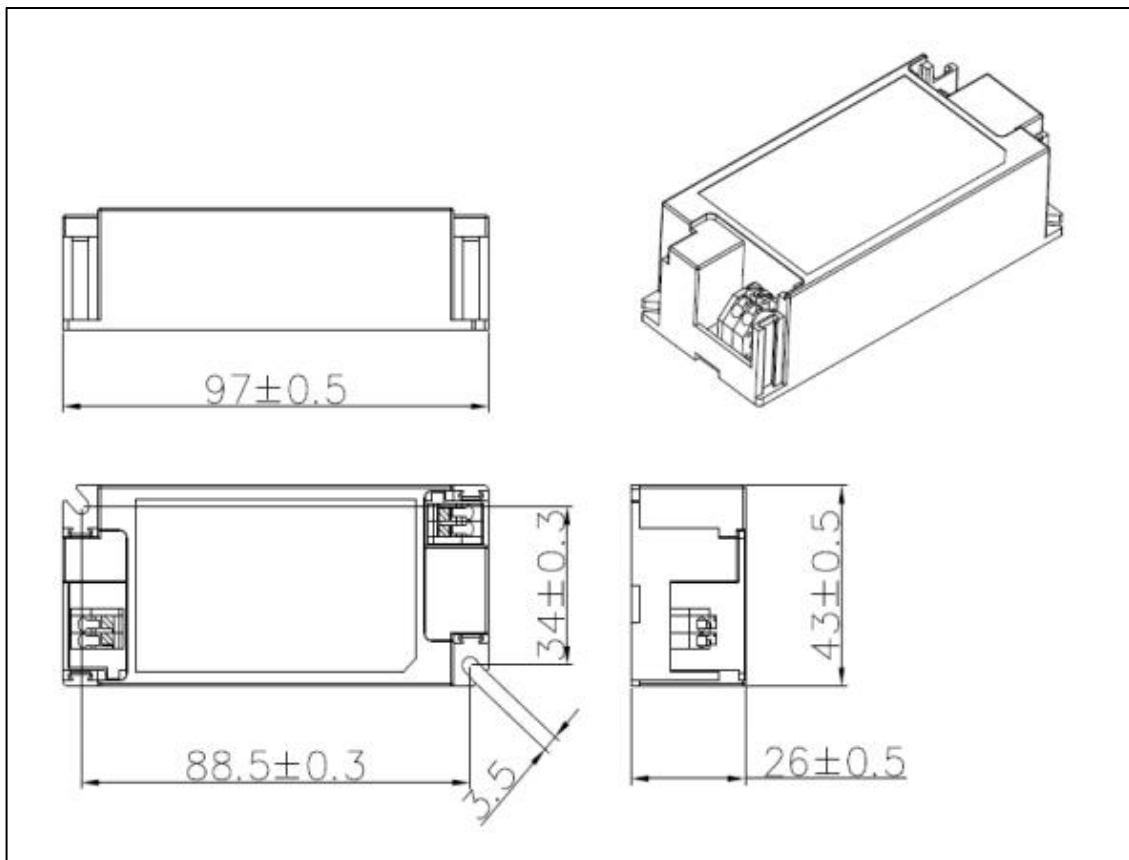
◆ Circuit Breaker

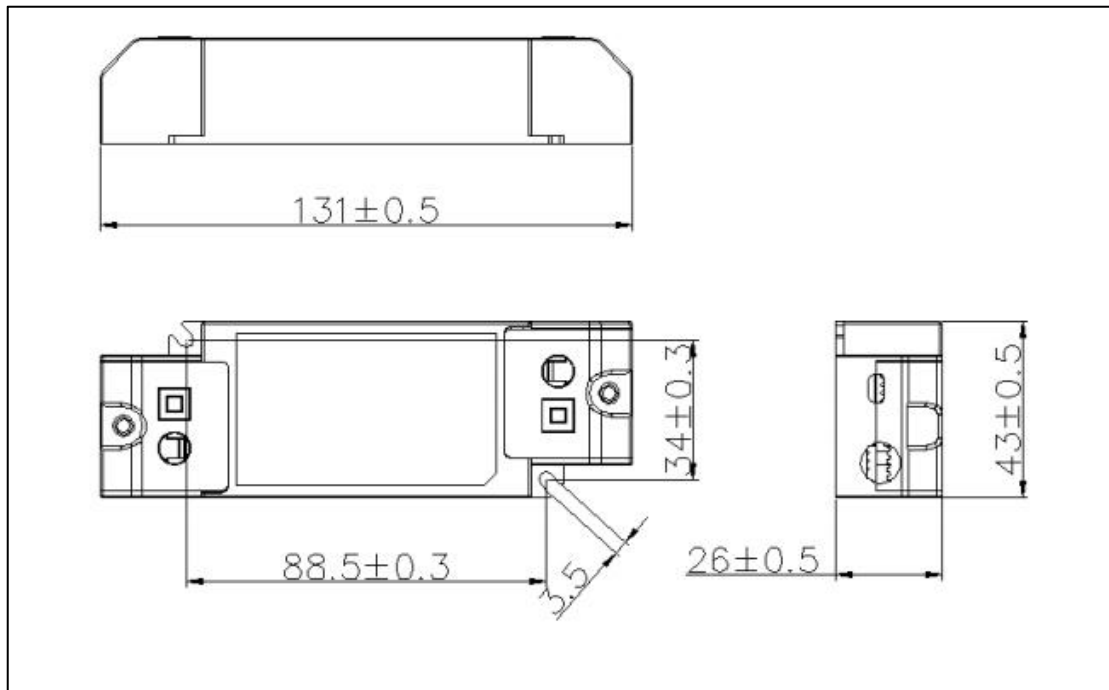
I _{peak}	T _{width}	B10	B16	B20	C10	C16	C20
4.82A	40μs	32pcs	51pcs	64pcs	32pcs	51pcs	64pcs

◆ **Wiring diagram**



◆ **2D diagram**

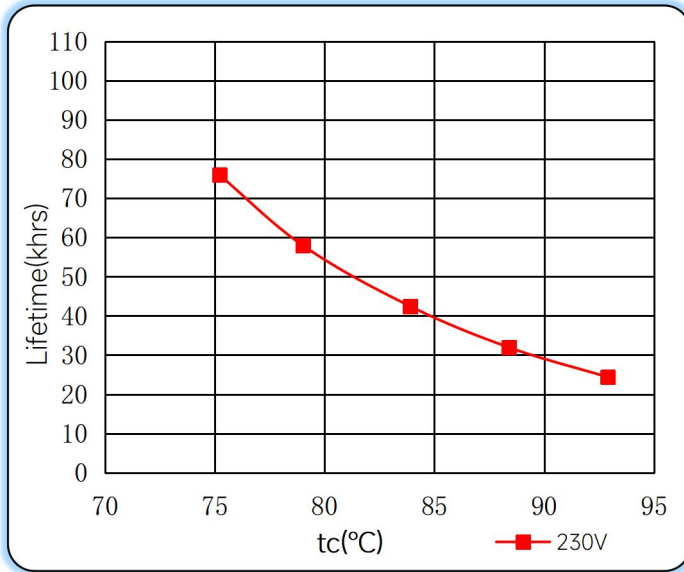


With side caps

◆ Wiring & Connections

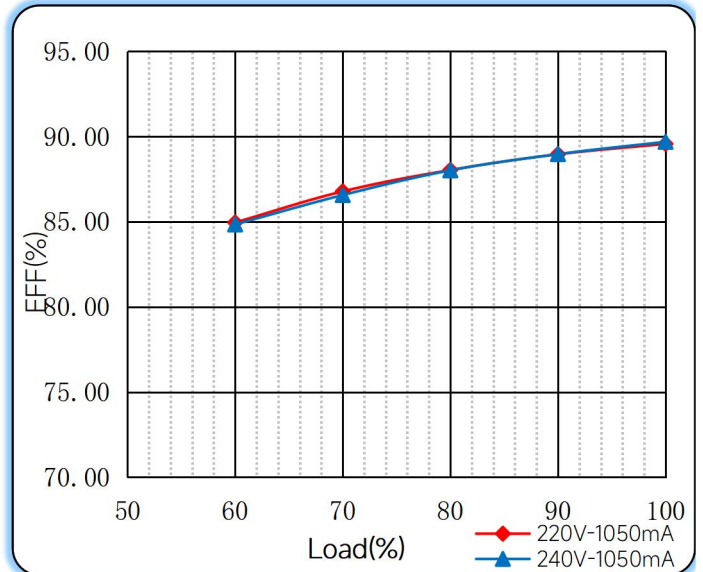
Specification item		Value (Unit)
Input	Input wire cross-section	0.5...1.5 mm ²
	Input wire gauge.	16...20 AWG
	Input wire strip length	7...9mm
Output	Output wire cross-section	0.5...1.5 mm ²
	Output wire gauge.	16...20 AWG
	Output wire strip length	7...9mm

◆ **Curve for FLS-42-1050 LD, I_o=1050mA**

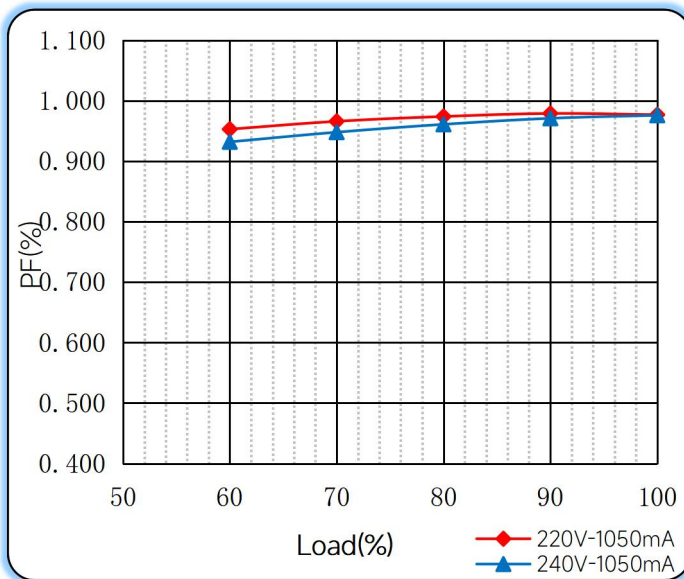
Lifetime vs. Temperature Curve



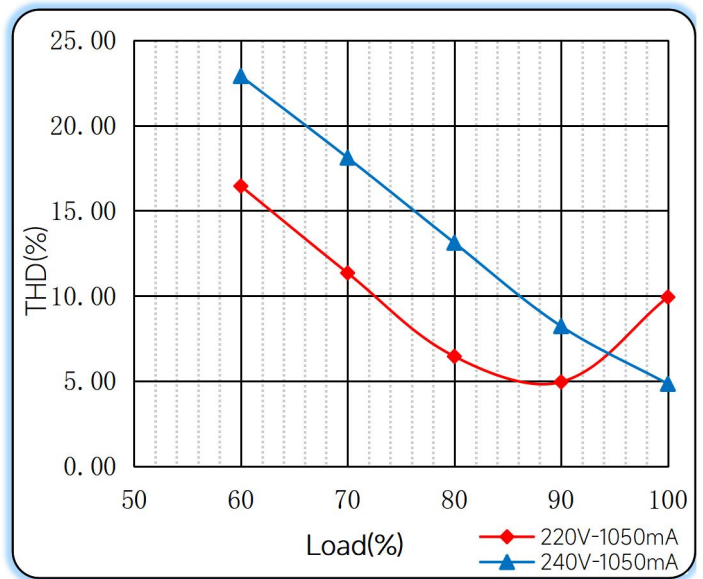
Efficiency vs. Load



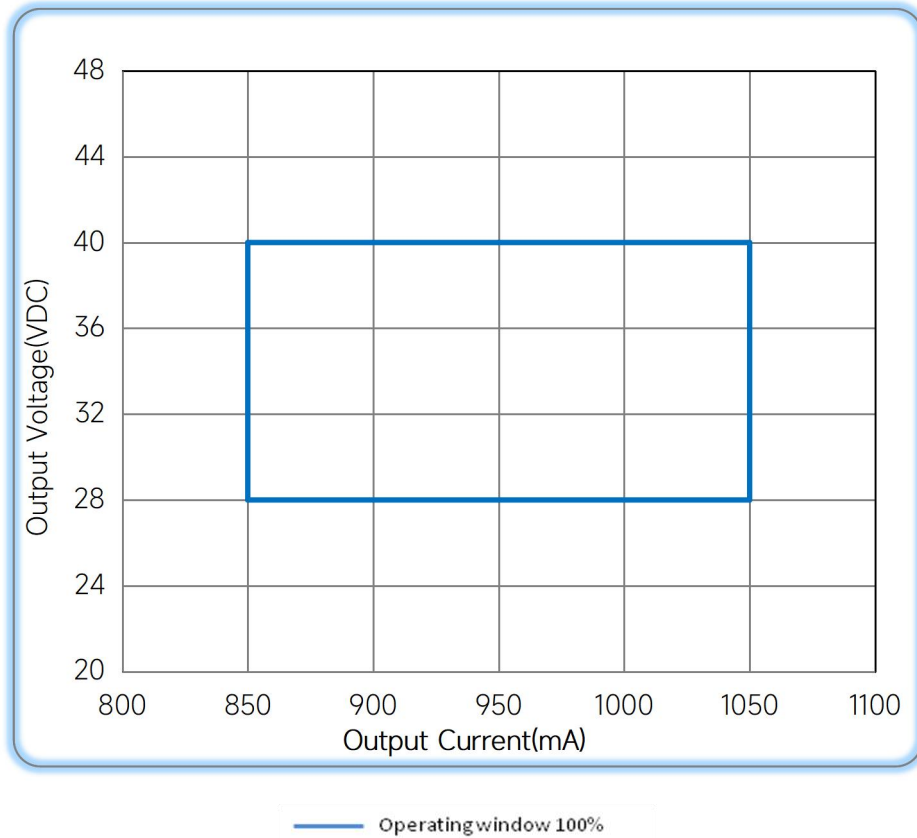
Power Factor Characteristics



THD vs. Load



◆ Operating window



◆ Revision Updates

ITEM	BEFORE	AFTER	VERSION	DATE
Initial			A	2023/03/14

Tel: +86-0757-86256822, +86-0757-86256831

E-mail: sales@eaglerise.com

Website : <https://lighting.eaglerise.com>



EAGLERISE



Manual