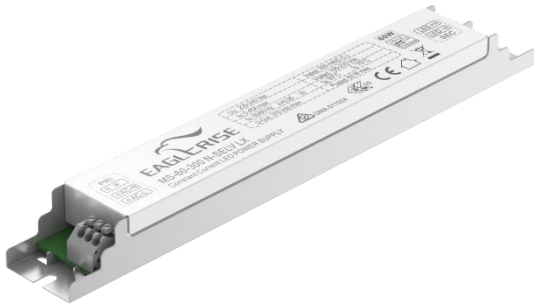


## 60W LED Driver Constant Current



■ Approve



### Features

- Class I, built-in
- Input Voltage 220-240VAC
- Protections: SCP/OLP/OVP
- Power Factor: 0.95(Typ.)
- Efficiency: 92%(Typ.)
- Non-Isolated design
- Nominal life-time up to 50000h
- 5 years warranty

### Applications

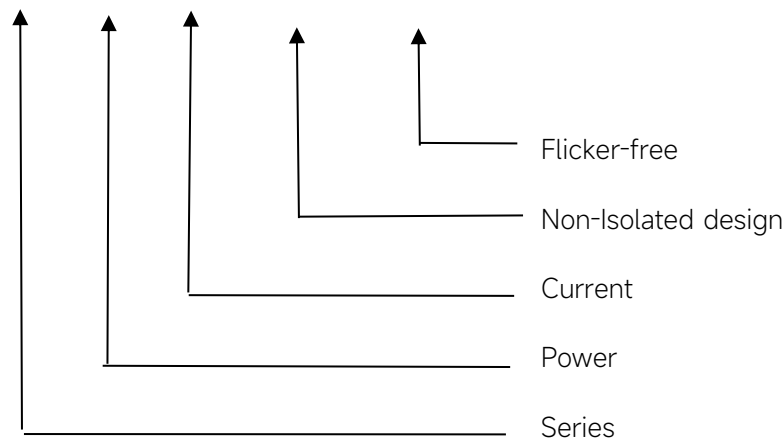
- Linear light

### ◆ Description

MS-60-XXX N-SELV LX is a non-Isolated 60W constant current LED driver that operates from 176-264Vac input with 300-350mA output current. With it's compact dimensions from 220 x 30 x 21mm it is easy to integrate in linear light products. To ensure trouble-free operation, protection is provided against output short circuit and over Load..

### ◆ Model code

MS-60-XXX N-SELV LX



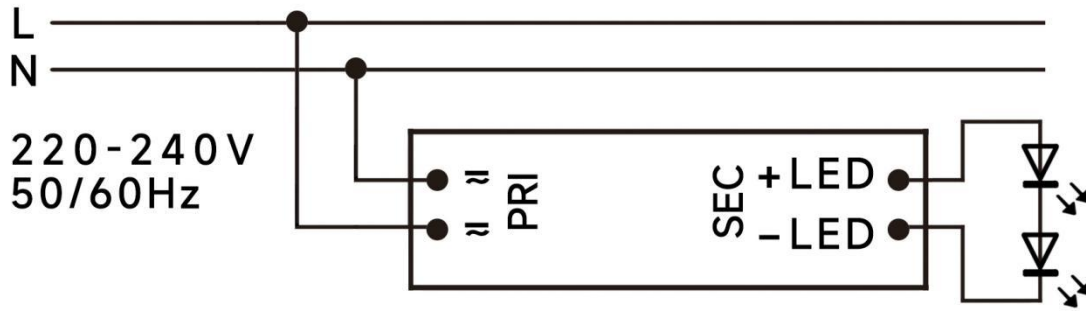
## ◆ Specification

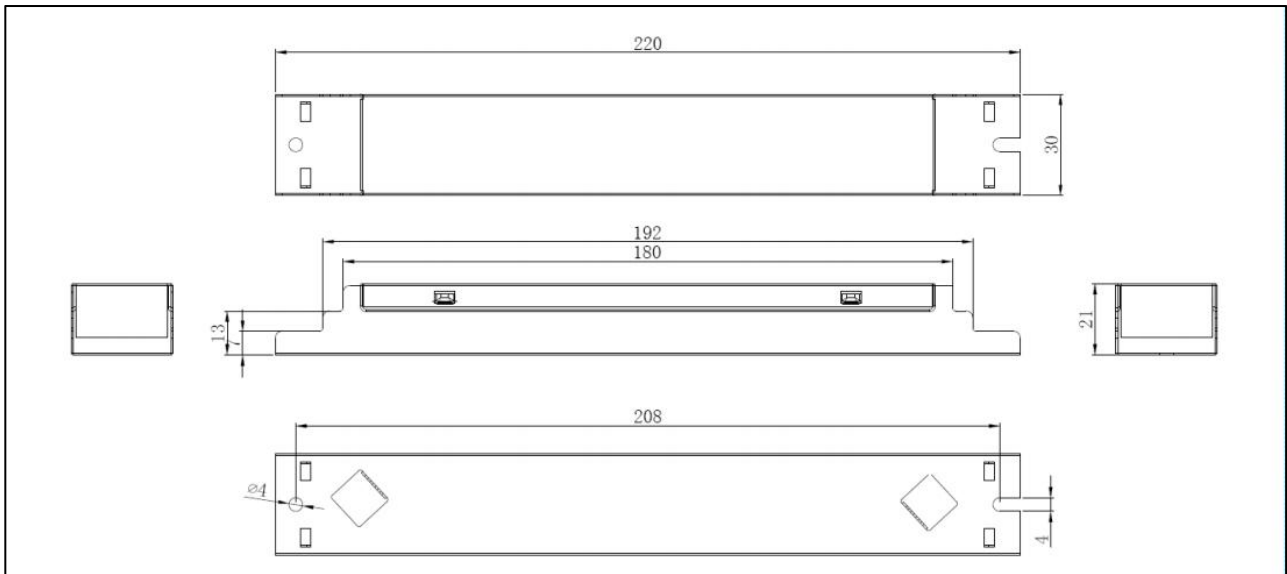
Output	Constant Current	300mA	350mA
	Voltage Range	105-210VDC	90-180VDC
	Unload voltage Max.	370VDC	340VDC
	Current Accuracy	±7%	
	Output HF current ripple(≥1KHz)	±4%	
	Output LF current ripple(≤120Hz)	±4%	
	SVM	≤0.4	
	Pst	≤1	
	Efficiency(Typ.)	≥92%	
Input	Rated input voltage	220-240VAC	
	Range of input voltage	176-264Vac	
	Frequency(Hz)	50/60 Hz	
	Displacement factor	≥0.7	
	Power Factor	>0.95	
	Input Current max	0.45A	
	Start-up time	< 0.5S	
	No Load Power	≤0.5W	
	THD (Typ.)	<20%	
Protection	Over Load Protection	103-120% YES/Auto Resume	
	Over Voltage Protection	> 250VDC	> 200VDC
	Short circuit Protection	YES/Auto Resume	
Environment	Operating Temperature	-20°C~+50°C	
	Humidity	20%-90%RH	
	Tc	75°C	
	Storage Temperature	-40°C~+60°C	
	Life time	> 50000h@Tc=65°C,230VAC	
Surface	Dimension	220X30X21(LXWXH)mm	
standards	EN 61347-1; EN61347-2-13; EN62384; EN55015; EN61000-3-2 ; EN61000-3-3; EN 61547		
Others	ErP	EU 2019/2020	
	RoHS	RoHS (2011/65/EU) (EU)2015/863	
Note	1.All parameters NOT specially mentioned are measured at 230VAC input, full load and 25°C of ambient temperature. 2.Ripple & Noise are measured at 20MHz of bandwidth by using a 300mm twisted pair-wire terminated with a 0.1uF & 47 uF parallel capacitor.		

◆ **Circuit Breaker**

I <sup>peak</sup>	T <sup>width</sup>	B10	B16	B20	C10	C16	C20
7.76A	32μs	17pcs	28pcs	35pcs	17pcs	28pcs	35pcs

◆ **Wiring diagram**

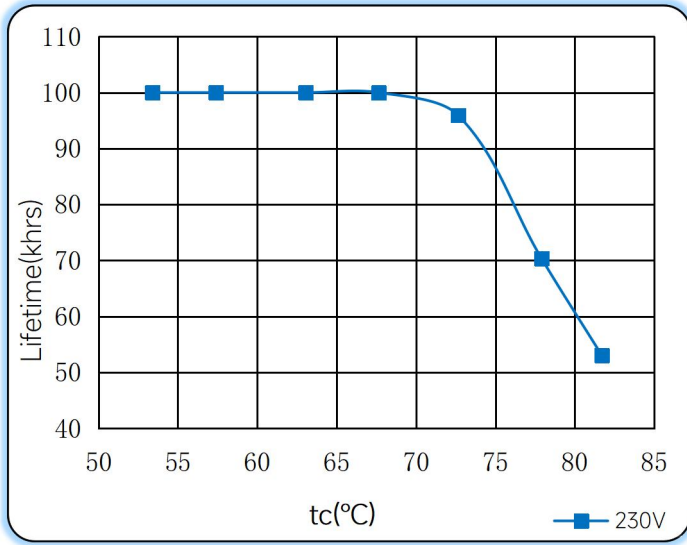


**◆ 2D diagram**

**◆ Wiring & Connections**

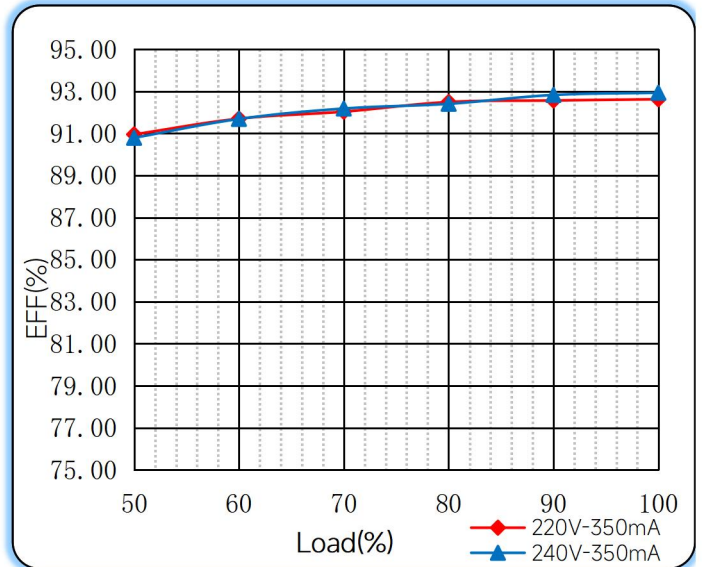
	Specification item	Value (Unit )
Input	Input wire cross-section	0.5...1.5 mm <sup>2</sup>
	Input wire gauge.	16...20 AWG
	Input wire strip length	7...9mm
Output	Output wire cross-section	0.5...1.5 mm <sup>2</sup>
	Output wire gauge.	16...20 AWG
	Output wire strip length	7...9mm

## ◆ Curve for MS-60-350 N-SELV LX, I<sub>o</sub>=350mA

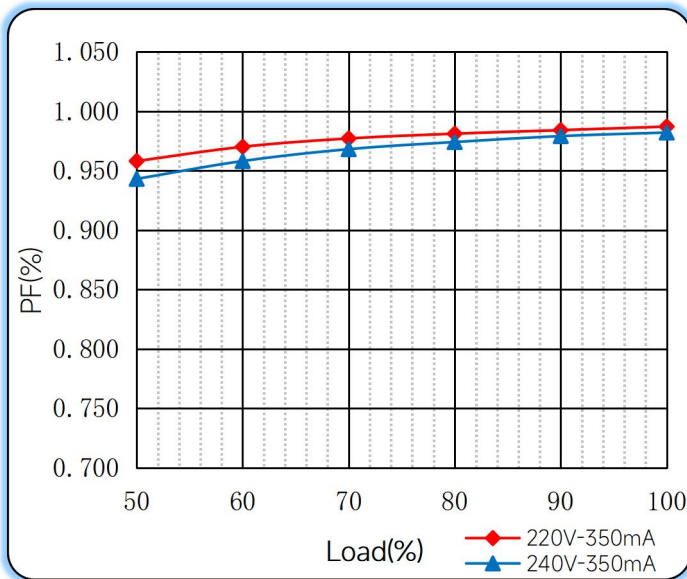
### Lifetime vs. Temperature Curve



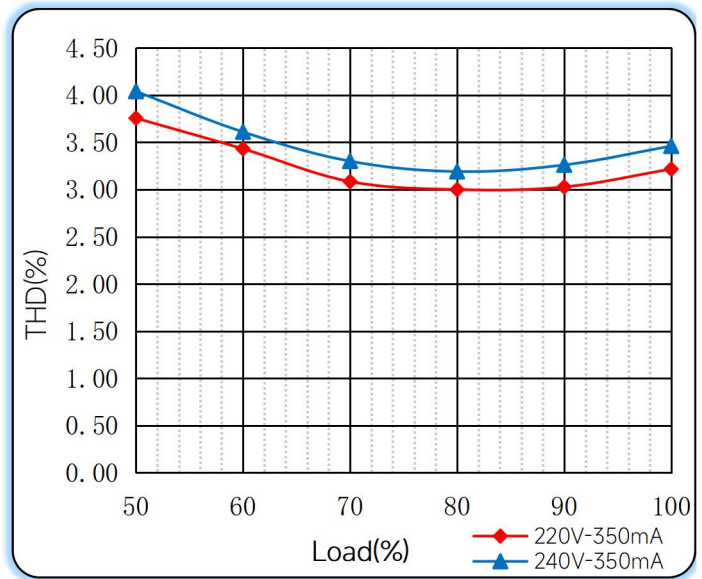
### Efficiency vs. Load



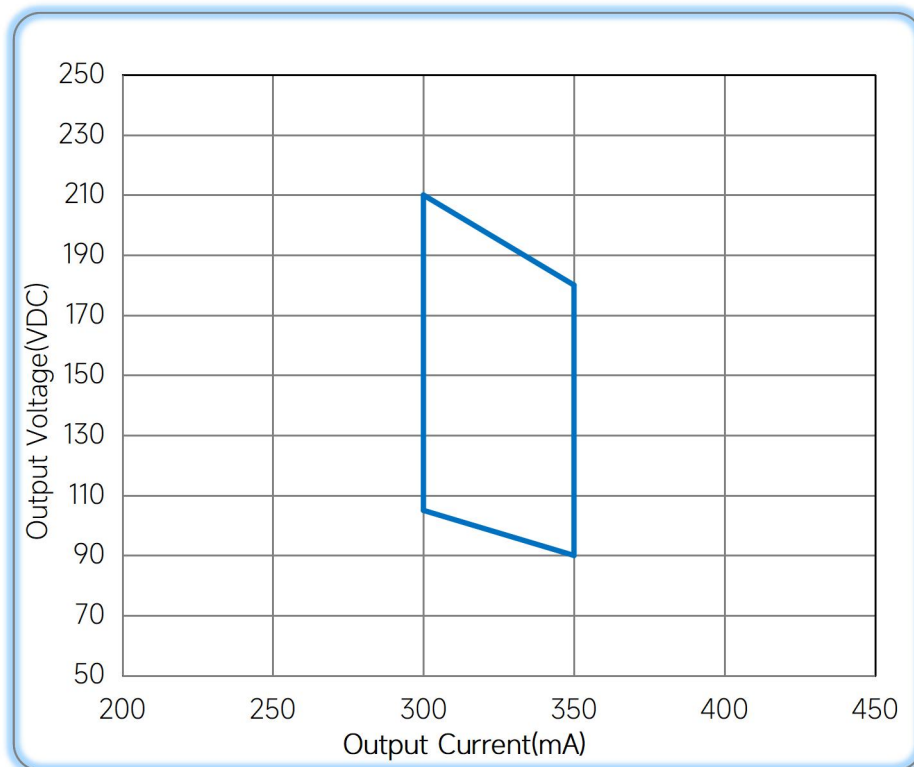
### Power Factor Characteristics



### THD vs. Load



◆ **Operating window**



— Operating window 100%

◆ **Revision Updates**

ITEM	BEFORE	AFTER	VERSION	DATE
Initial			A	2022/05/15

Tel: +86-0757-86256822, +86-0757-86256831

E-mail: sales@eaglerise.com

Website : <https://lighting.eaglerise.com>



EAGLERISE



Manual