

20W LED Driver Constant Current



■ Approve



Features

- Class I, built-in
- Input Voltage 220-240VAC
- Protections: SCP/OLP/OVP
- Power Factor: 0.95(Typ.)
- Efficiency: 85%(Typ.)
- Non-Isolated design
- Nominal life-time up to 50000h
- 5 years warranty

Applications

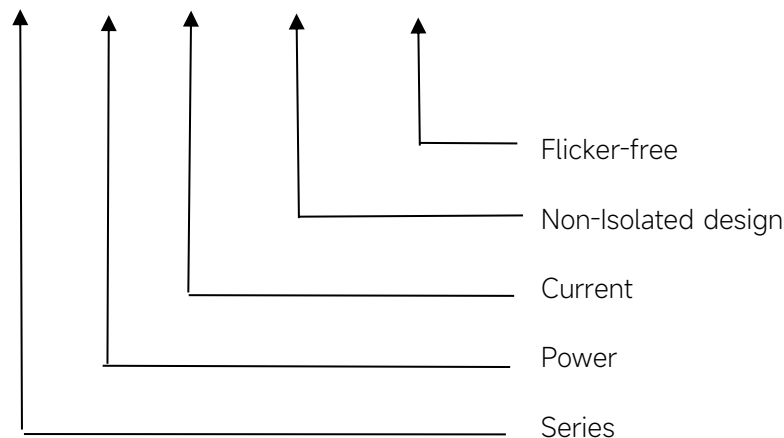
- Linear light

◆ Description

MS-20-XXX N-SELV LX is a non-Isolated 20W constant current LED driver that operates from 176-264Vac input with 300 to 350mA output current. With it's compact dimensions from 190 x 30 x 21mm it is easy to integrate in linear light products. To ensure trouble-free operation, protection is provided against output short circuit and over Load.

◆ Model code

MS-20-XXX N-SELV LX



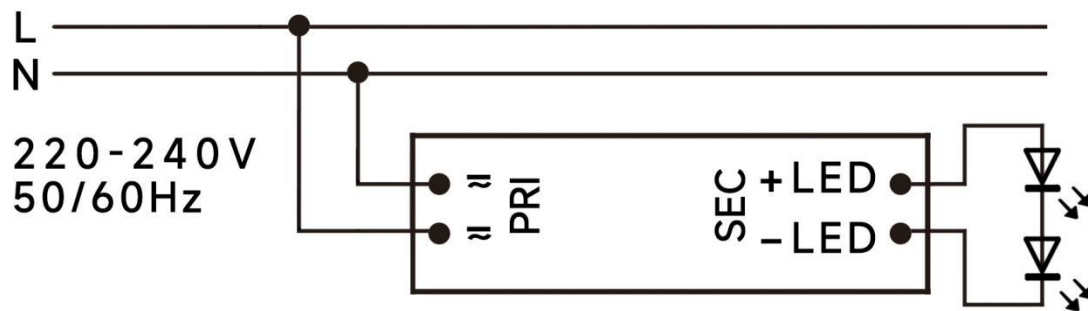
◆ Specification

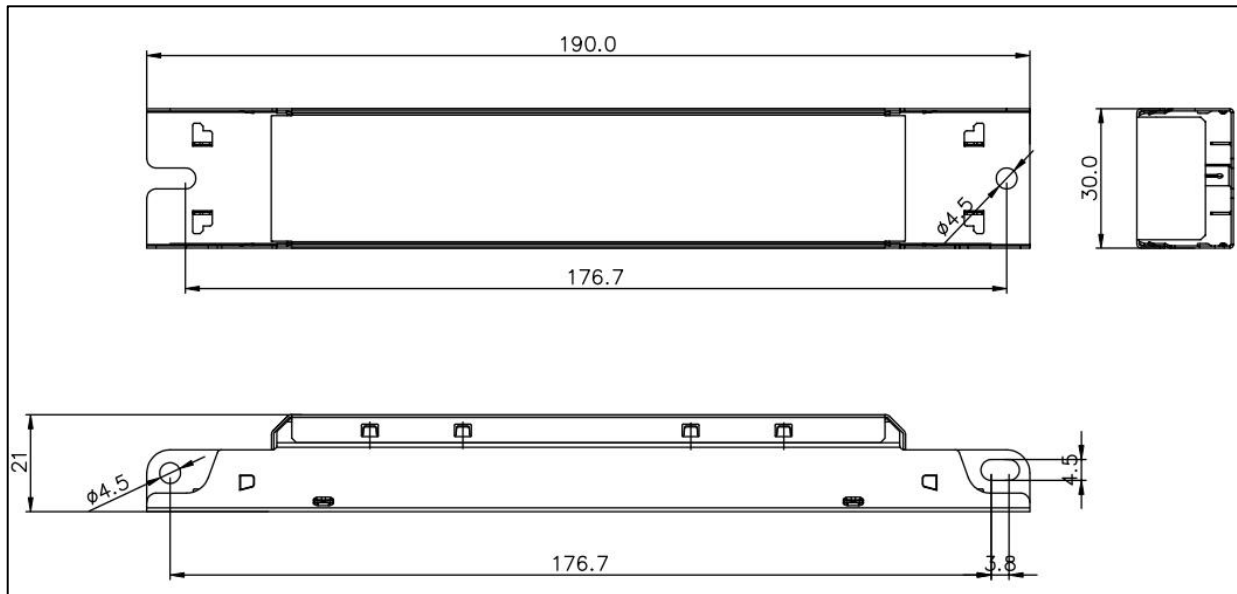
Output	Constant Current	300mA	350mA
	Voltage Range	34-68VDC	25-54VDC
	Unload voltage Max.	260VDC	250VDC
	Current Accuracy	±7%	
	Output HF current ripple(≥1KHz)	±4%	
	Output LF current ripple(≤120Hz)	±4%	
	SVM	≤0.4	
	Pst	≤1	
	Efficiency(Typ.)	≥85%	
Input	Rated input voltage	220-240VAC	
	Range of input voltage	176-264Vac	
	Frequency(Hz)	50/60 Hz	
	Displacement factor	≥0.7	
	Power Factor	>0.95	
	Input Current max	0.15A	
	Start-up time	< 0.5S	
	No Load Power	≤0.5W	
	THD (Typ.)	<20%	
Protection	Over Load Protection	103-120% YES/Auto Resume	
	Over Voltage Protection	> 80VDC	> 65VDC
	Short circuit Protection	YES/Auto Resume	
Environment	Operating Temperature	-20°C~+50°C	
	Humidity	20%-90%RH	
	Tc	70°C	
	Storage Temperature	-40°C~+60°C	
	Life time	> 50000h@Tc=70°C,230VAC	
Surface	Dimension	190 x 30 x 21(LXWXH)mm	
standards	EN 61347-1; EN61347-2-13; EN62384; EN55015; EN61000-3-2 ; EN61000-3-3; EN 61547;		
Others	ErP	EU 2019/2020	
	RoHS	RoHS (2011/65/EU) (EU)2015/863	
Note	1.All parameters NOT specially mentioned are measured at 230VAC input, full load and 25°C of ambient temperature. 2.Ripple & Noise are measured at 20MHz of bandwidth by using a 300mm twisted pair-wire terminated with a 0.1uF & 47 uF parallel capacitor.		

◆ **Circuit Breaker**

I ^{peak}	T ^{width}	B10	B16	B20	C10	C16	C20
3.36A	36μs	53pcs	85pcs	106pcs	53pcs	85pcs	106pcs

◆ **Wiring diagram**

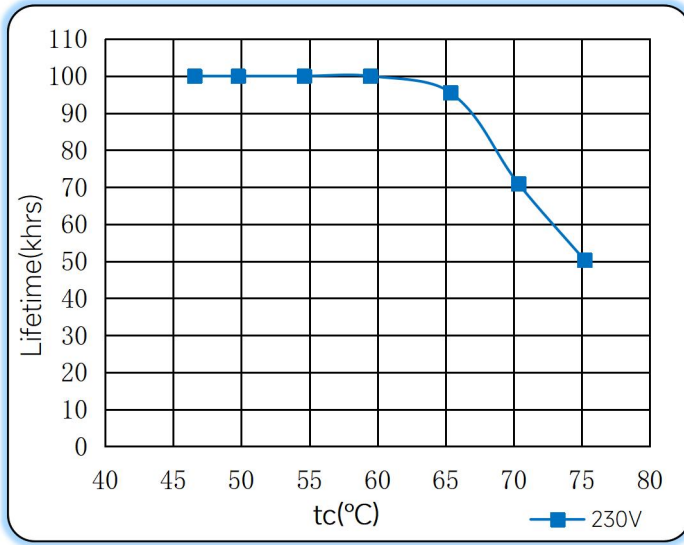


◆ 2D diagram

◆ Wiring & Connections

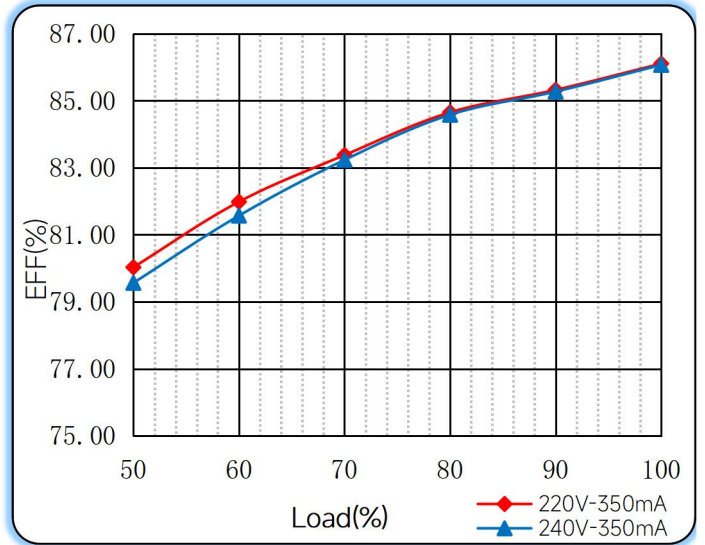
Specification item		Value (Unit)
Input	Input wire cross-section	0.5...1.5 mm ²
	Input wire gauge.	16...20 AWG
	Input wire strip length	7...9mm
Output	Output wire cross-section	0.5...1.5 mm ²
	Output wire gauge.	16...20 AWG
	Output wire strip length	7...9mm

◆ Curve for MS-20-350 N-SELV LX, I_o=350mA

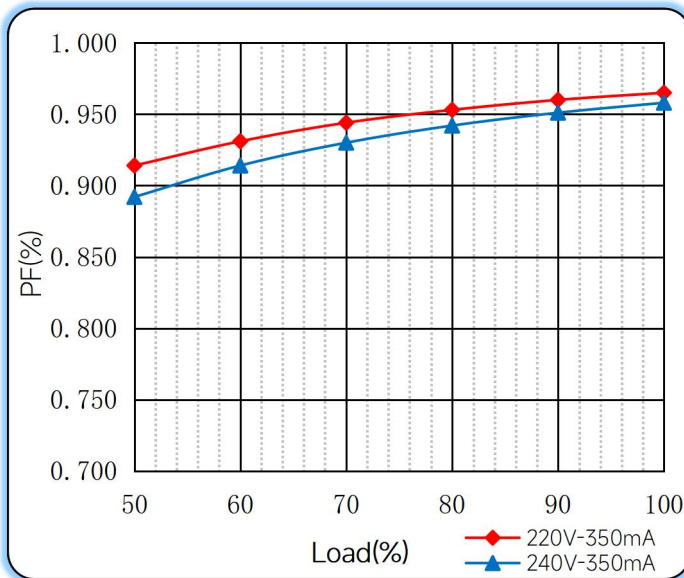
Lifetime vs. Temperature Curve



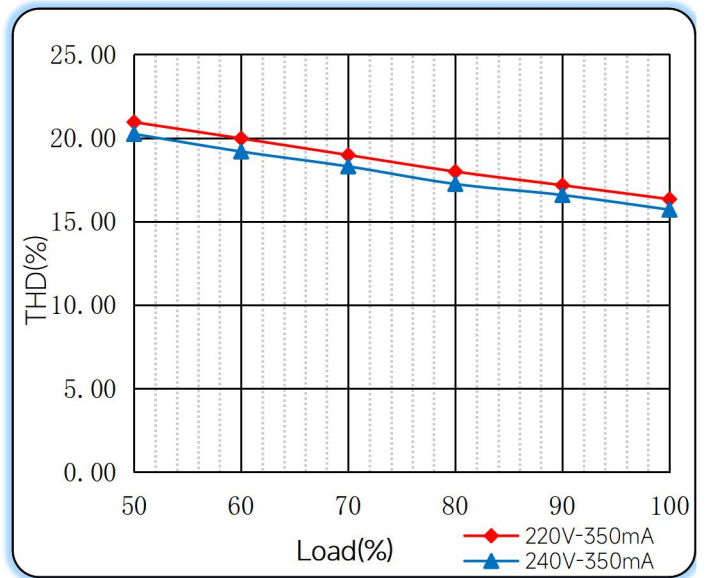
Efficiency vs. Load



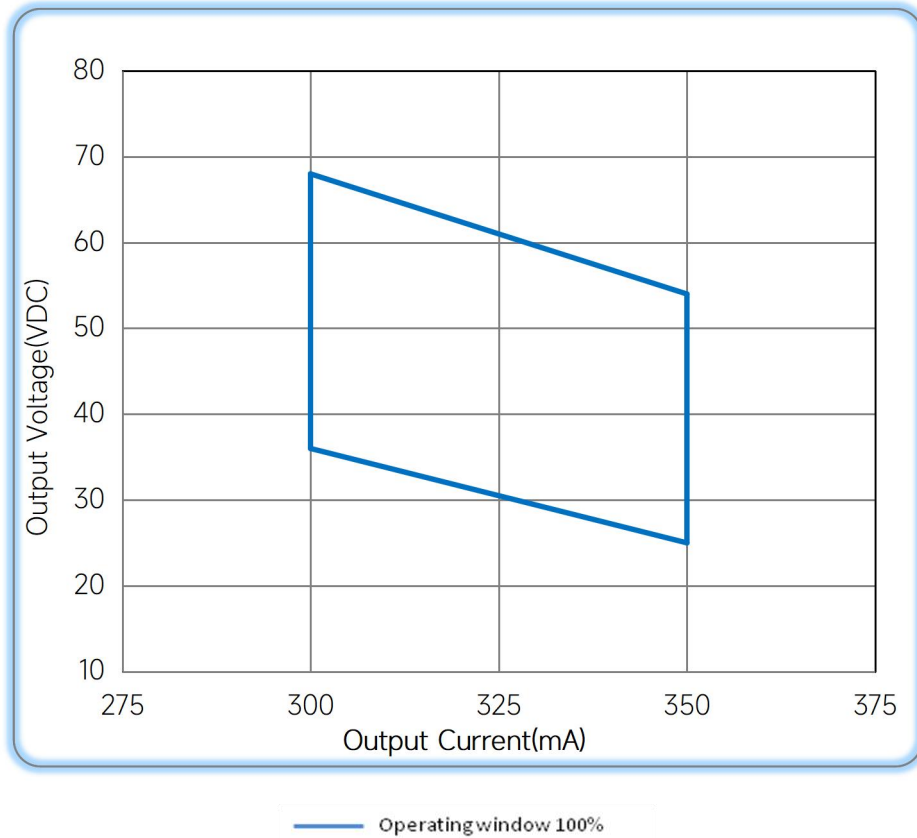
Power Factor Characteristics



THD vs. Load



◆ **Operating window**



◆ **Revision Updates**

ITEM	BEFORE	AFTER	VERSION	DATE
Initial			A	2022/05/15

Tel: +86-0757-86256822, +86-0757-86256831

E-mail: sales@eaglerise.com

Website : <https://lighting.eaglerise.com>



EAGLERISE



Manual