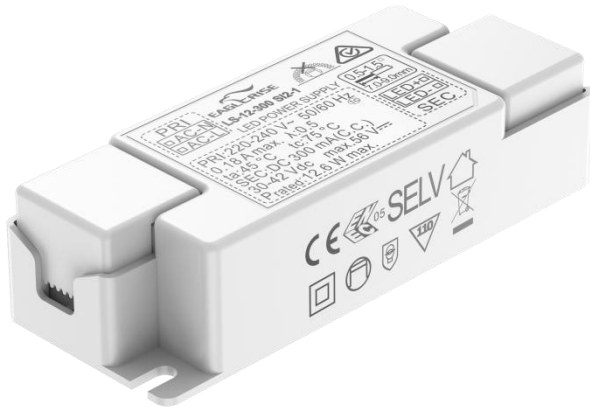


12W Constant Current power supply



Features

- Class II, SELV, independent
- Input Voltage 220-240VAC
- Protections: SCP/OLP/OVP/OTP
- Power Factor : 0.5
- Efficiency $\geq 83\%$
- 5 years warranty

Applications

- Down light, Spot light

■ Approve

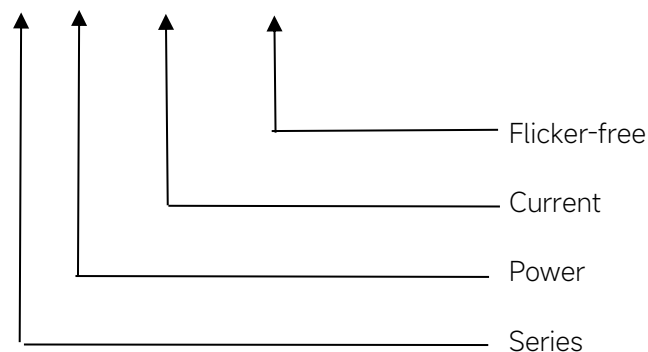


◆ Description

LS-12-XXX SI2-1 is a 12W constant current LED driver that operates from 176-264Vac input with XXX mA output current. With it's compact dimensions from 92 x 36 x 25mm it is easy to integrate in LED spot, down light products. To ensure trouble-free operation, protection is provided against output short circuit and over Load.

◆ Model code

LS-12-XXX SI2-1



◆ Specification

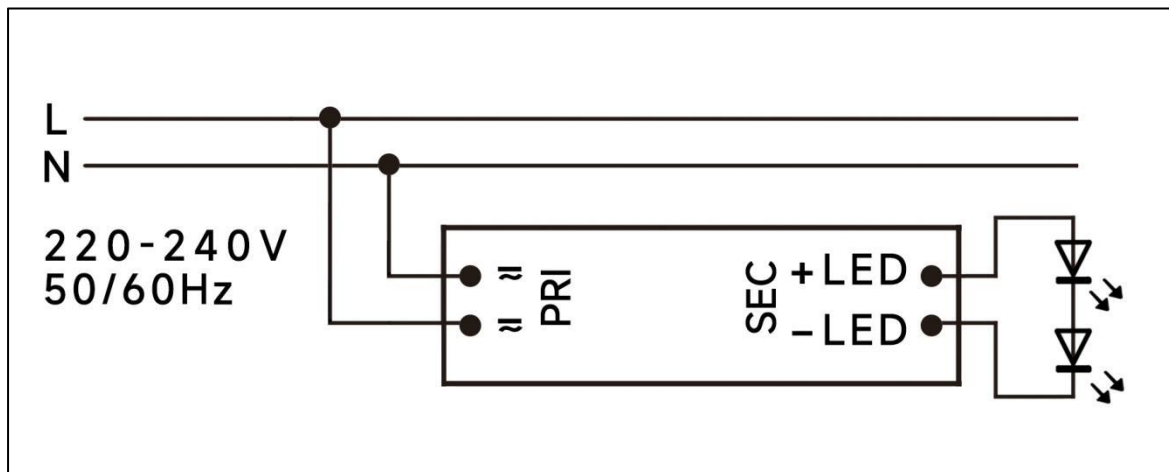
Output	Constant Current	250mA	300mA	350mA	...	600mA
	Voltage Range	30-42VDC	30-42VDC	22-40VDC	...	11-20VDC
	Unload voltage Max.	56VDC	56VDC	55VDC	...	31VDC
	Current Accuracy	±5%				
	Output HF current ripple(≥1KHz)	±5%				
	Output LF current ripple(≤120Hz)	±5%				
	SVM	≤0.4				
	Pst	≤1				
	Efficiency(Typ.)	≥83%				
Input	Rated input voltage	220-240VAC				
	Range of input voltage	176-264VAC				
	Rated input voltage(DC)	NA				
	Frequency(Hz)	50/60 Hz				
	Displacement factor	≥0.5				
	Power Factor	0.5C				
	Input Current max	0.15A	0.18A	0.2A	...	0.19A
	Start-up time	< 0.5S				
	No Load Power	≤0.5W				
Protection	Over Load Protection	103-120%				
		YES/Auto Resume				
	Over Voltage Protection	56V	56V	55V	...	31V
		YES/Auto Resume				
	Short circuit Protection	YES/Auto Resume				
Over Temperature Protection	YES/Auto Resume					
Environment	Operating Temperature	-20°C~+45°C				
	Humidity	20%-90%RH				
	Tc	75°C				
	Storage Temperature	-20°C~+60°C				
	Life time	> 50000h@Tc=75°C,230VAC				
Surface	Dimension	92X36X25(LXWXH)mm				
standards	EN 61347-1; EN61347-2-13; EN62384; EN55015; EN61000-3-2 ; EN61000-3-3; EN 61547;					
Others	ErP	EU 2019/2020				
	RoHS	RoHS (2011/65/EU) (EU)2015/863				
Note	<p>1.All parameters NOT specially mentioned are measured at 230VAC input , full load and 25°C of ambient temperature.</p> <p>2.Ripple & Noise are measured at 20MHz of bandwidth by using a 300mm twisted pair-wire terminated with a 0.1uF & 47 uF parallel capacitor</p>					

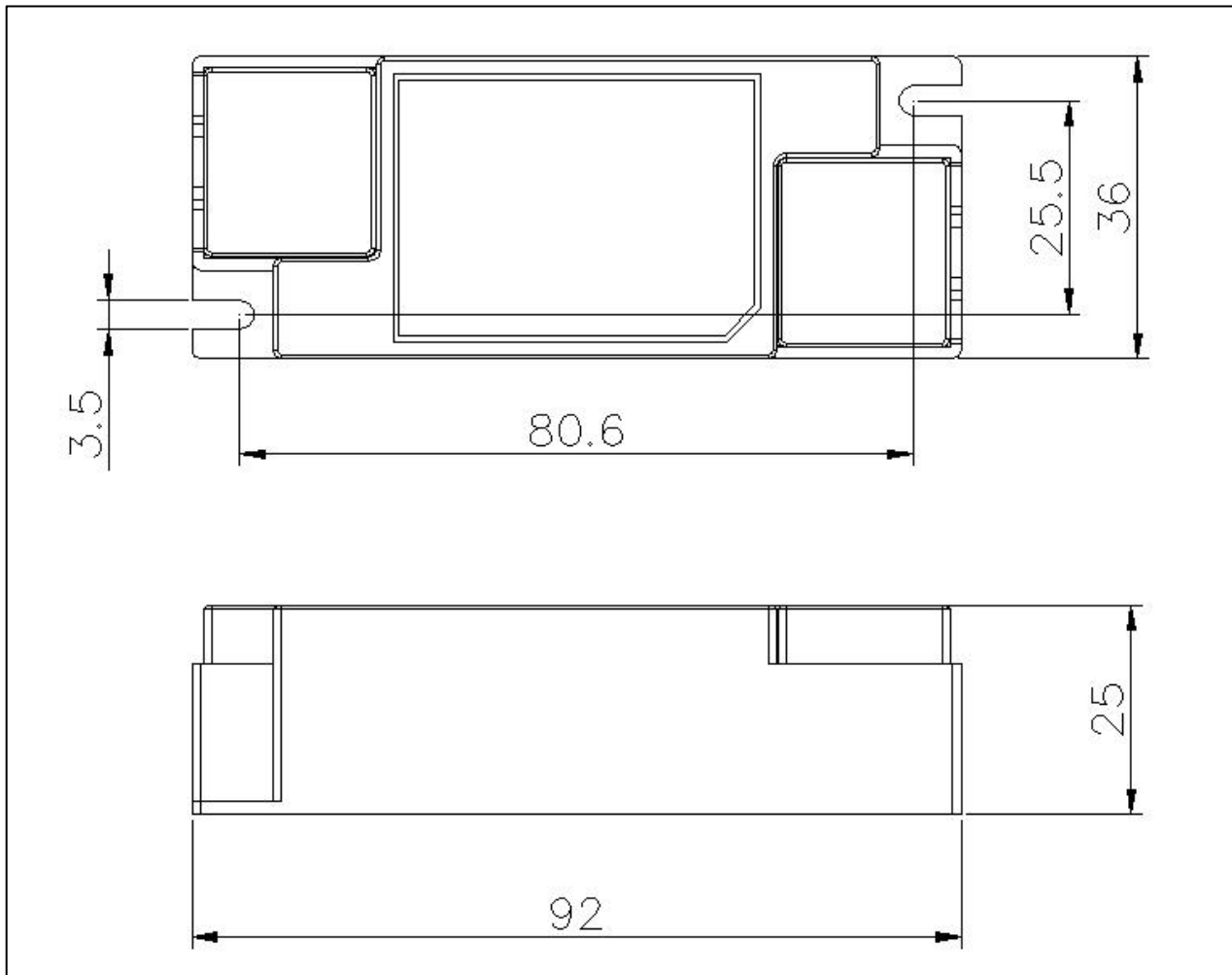
◆ Model list

Number	Model number	Input			Output			
		Voltage (VAC)	Current (A)	Frequency (Hz)	Current (mA)	Voltage (VDC)	Voltage No load (VDC)	Power (W)
1	LS-12-250 SI2-1	220-240	0.15	50/60	250	30-42	56	10.5
2	LS-12-300 SI2-1		0.18		300	30-42	56	12.6
3	LS-12-350 SI2-1		0.2		350	22-40	55	14
4	*LS-12-400 SI2-1		0.18		400	20-30	40	12
5	*LS-12-450 SI2-1		0.18		450	16-26	35	11.7
6	LS-12-500 SI2-1		0.19		500	14-24	35	13
7	*LS-12-550 SI2-1		0.19		550	12-21	32	11.6
8	LS-12-600 SI2-1		0.19		600	11-20	31	12

* Factory default

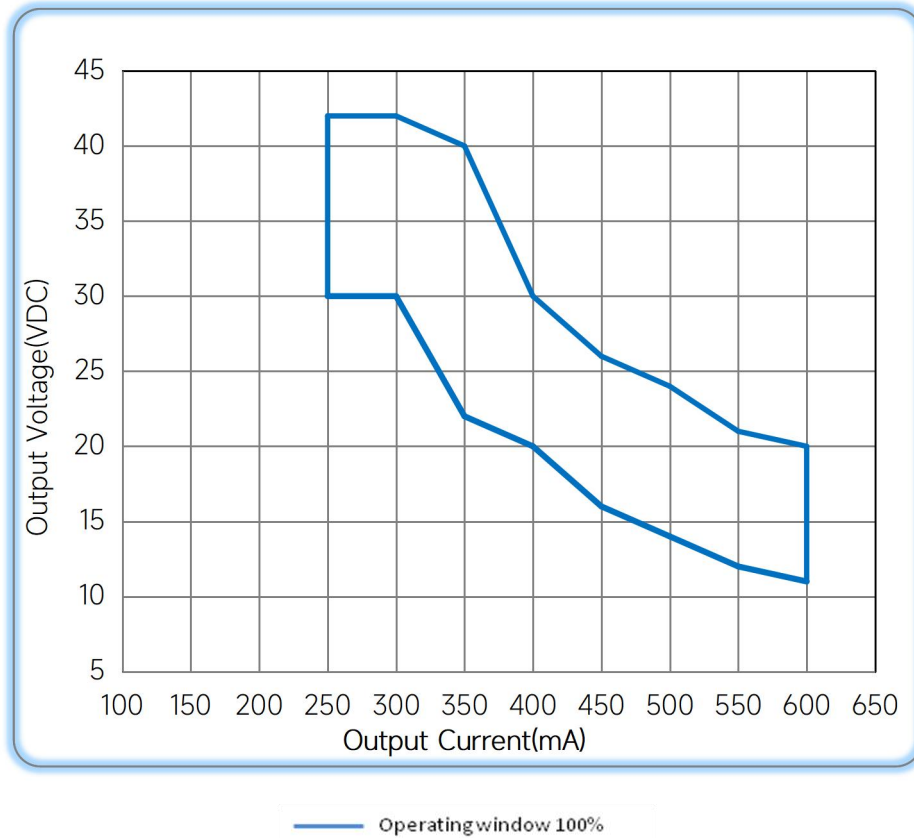
◆ Wiring diagram



◆ 2D diagram

◆ Wiring & Connections

Specification item		Value (Unit)
Input	Input wire cross-section	0.5...1.5 mm ²
	Input wire gauge.	16...20 AWG
	Input wire strip length	7...9mm
Output	Output wire cross-section	0.5...1.5 mm ²
	Output wire gauge.	16...20 AWG
	Output wire strip length	7...9mm

◆ Operating window



◆ Revision Updates

ITEM	BEFORE	AFTER	VERSION	DATE
Initial			A	2022/05/15

Tel: +86-0757-86256822, +86-0757-86256831

E-mail: sales@eaglerise.com

Website : <https://lighting.eaglerise.com>



EAGLERISE



Manual