

6W Constant Current -LS Series



Features

- Class II, SELV, independent
- Input Voltage: 220-240VAC
- Protections: SCP/OLP/OVP
- Power Factor: 0.5C
- Efficiency: 76%
- 5 years warranty

Applications

- LED down light, LED spot light

■ Approve

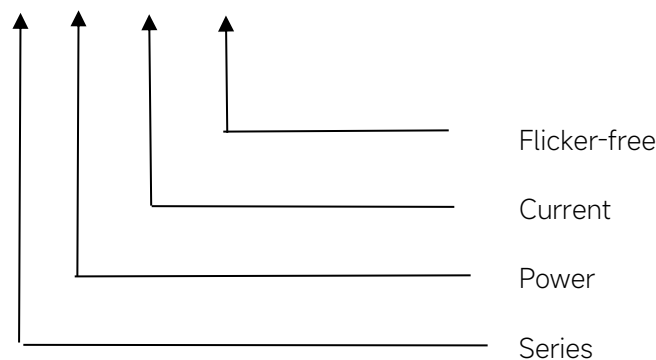


◆ Description

LS-6-XXX SI is a 6W constant current LED driver with 120-700mA output current. With its compact dimensions from 76 x 22 x 20 mm it is easy to integrate in LED spot, down light products. To ensure trouble-free operation, protection is provided against output short circuit and over Load.

◆ Model code

LS-6-XXX SI



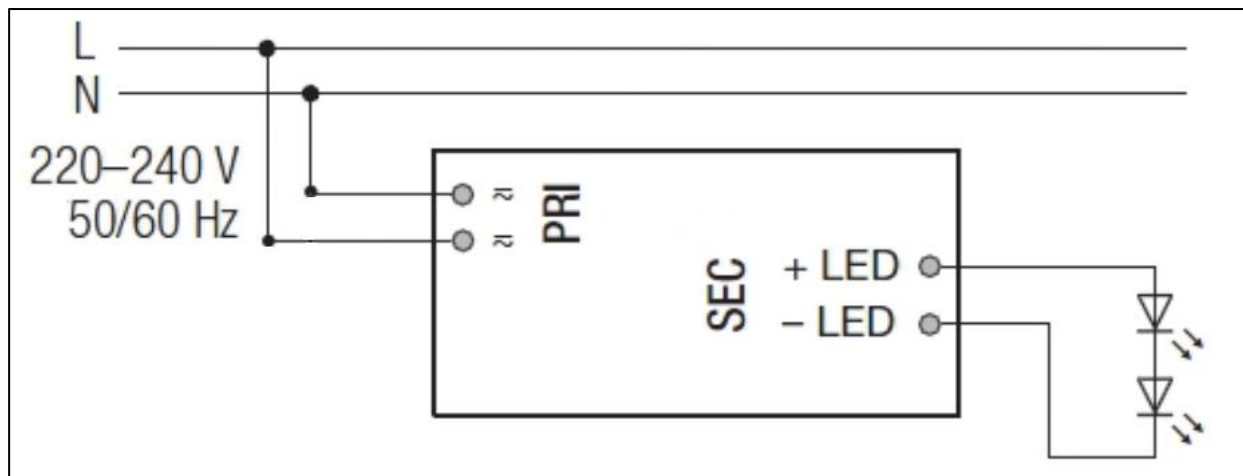
◆ Specification

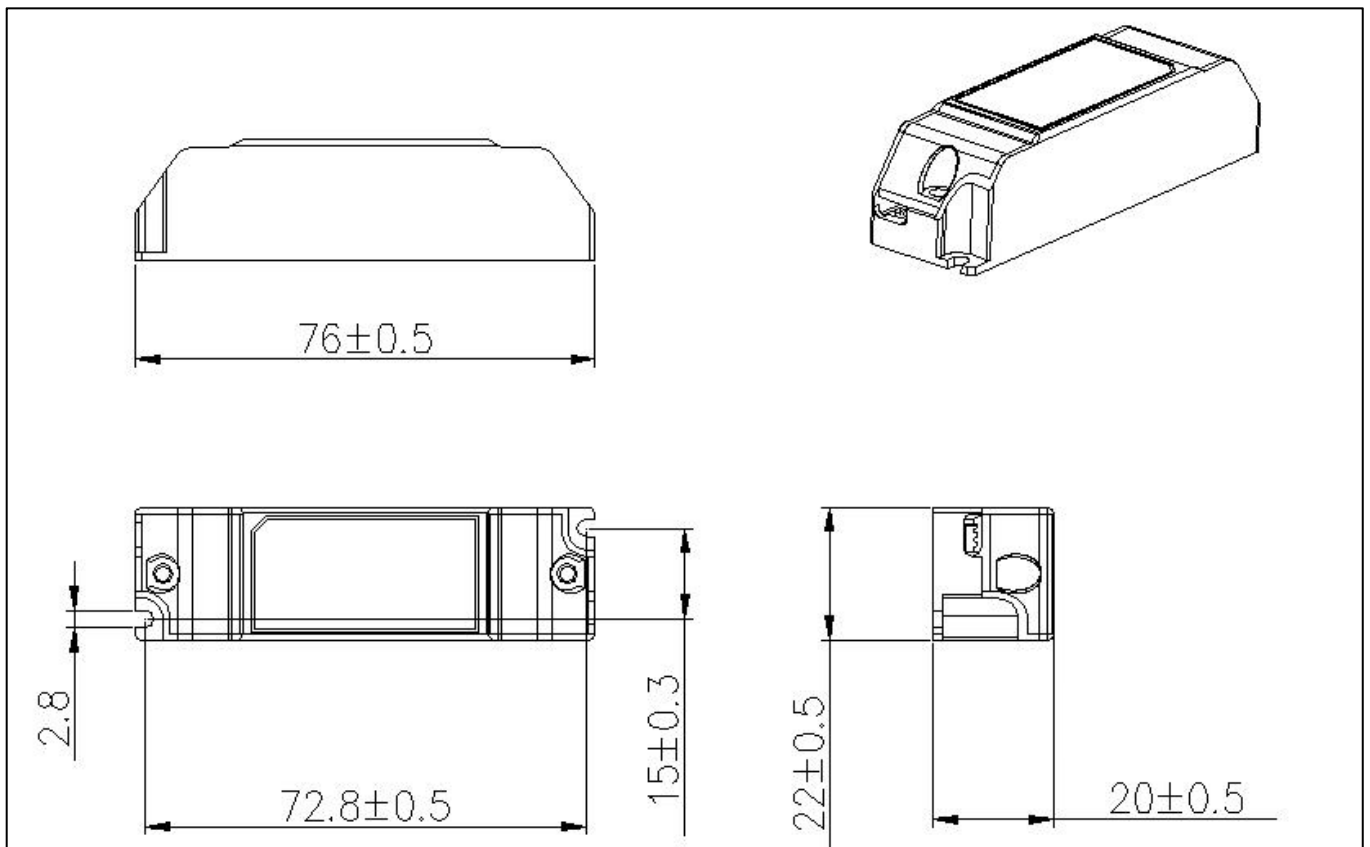
Output	Constant Current	120mA	150mA	200mA	...	700mA
	Voltage Range	8.5-40VDC		7.5-30VDC	...	2.5-9VDC
	Unload voltage Max.	59VDC		45VDC	...	25VDC
	Current Accuracy	±5%				
	Output HF current ripple(≥1KHz)	±5%				
	Output LF current ripple(≤120Hz)	±5%				
	SVM	≤0.4				
	Pst	≤1				
	Efficiency(Typ.)	≥76%				
Input	Rated input voltage	220-240VAC				
	Range of input voltage	176-264VAC				
	Rated input voltage(DC)	NA				
	Frequency(Hz)	50/60 Hz				
	Displacement factor	≥0.5				
	Power Factor	0.5C				
	Input Current max	0.11A				
	Start-up time	< 0.5S				
	No Load Power	≤0.5W				
Protection	Over Load Protection	103-150%				
		YES/Auto Resume				
	Over Voltage Protection	> 59VDC	>45VDC	...	>25VDC	
		YES/Auto Resume				
	Short circuit Protection	YES/Auto Resume				
Environment	Operating Temperature	-20°C~+50°C				
	Humidity	20%-90%RH				
	Tc	80°C				
	Storage Temperature	-25°C~+60°C				
	Life time	> 50000h@Tc=75°C,230VAC				
Surface	Dimension	76X22X20(LXWXH)mm				
standards	EN 61347-1; EN61347-2-13; EN62384; EN55015; EN61000-3-2 ; EN61000-3-3; EN 61547;					
Others	ErP	EU 2019/2020				
	RoHS	RoHS (2011/65/EU) (EU)2015/863				
Note	1.All parameters NOT specially mentioned are measured at 240VAC input , full load and 25°C of ambient temperature. 2.Ripple & Noise are measured at 20MHz of bandwidth by using a 300mm twisted pair-wire terminated with a 0.1uF & 47 uF parallel capacitor.					

◆ Model list

No.	Model number	Output			
		Constant current (mA)	Normal working voltage (VDC)	No load working voltage (VDC)	Max. Power(W)
1	LS-6-120 SI	120	8.5-40	59	4.8
2	LS-6-150 SI	150	8.5-40	59	6
3	LS-6-200 SI	200	7.5-30	45	6
4	LS-6-250 SI	250	5-24	35	6
5	LS-6-300 SI	300	5-20	34	6
6	LS-6-350 SI	350	5-18	25	6.3
7	LS-6-400 SI	400	5-15	25	6
8	LS-6-450 SI	450	5-13.5	24	6.1
9	LS-6-500 SI	500	2.8-12	23	6
10	LS-6-550 SI	550	2.8-11	22	6.1
11	LS-6-600 SI	600	2.5-10	25	6
12	LS-6-650 SI	650	2.5-9.5	25	6.2
13	LS-6-700 SI	700	2.5-9	25	6.3

◆ Wiring diagram

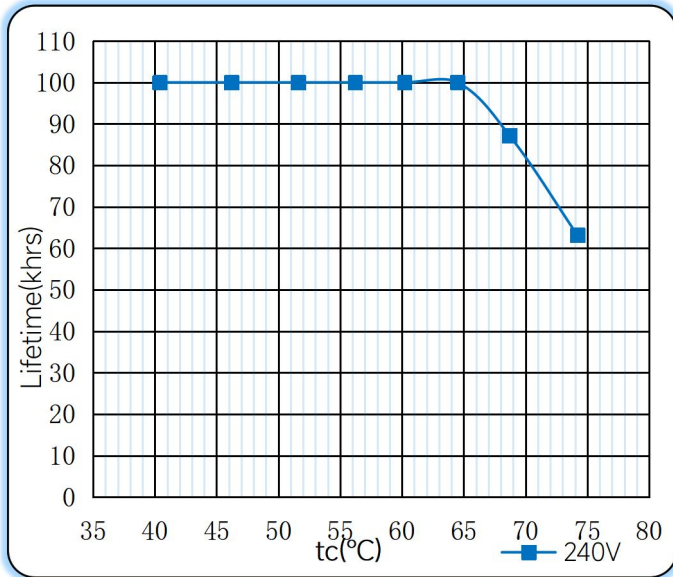


◆ 2D diagram

◆ Wiring & Connections

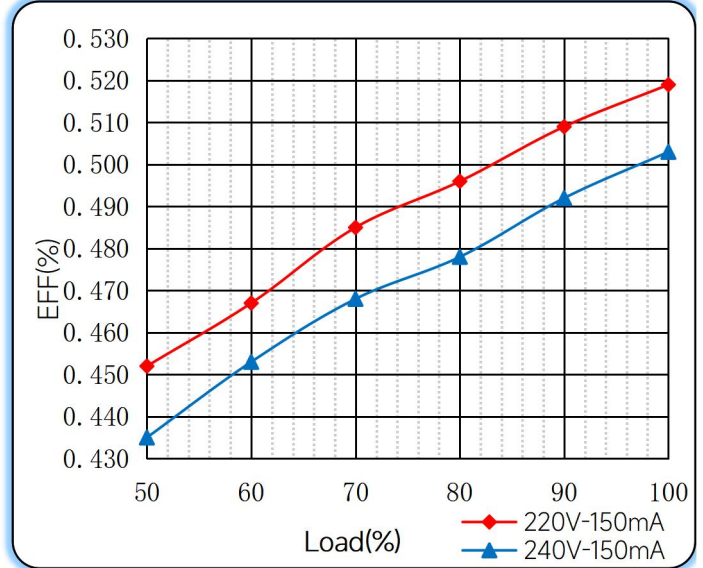
Specification item		Value (Unit)
Input	Input wire cross-section	0.5...1.5 mm ²
	Input wire gauge.	16...20 AWG
	Input wire strip length	7...9mm
Output	Output wire cross-section	0.5...1.5 mm ²
	Output wire gauge.	16...20 AWG
	Output wire strip length	7...9mm

◆ Curve for LS-6-150 SI, I_o=150mA

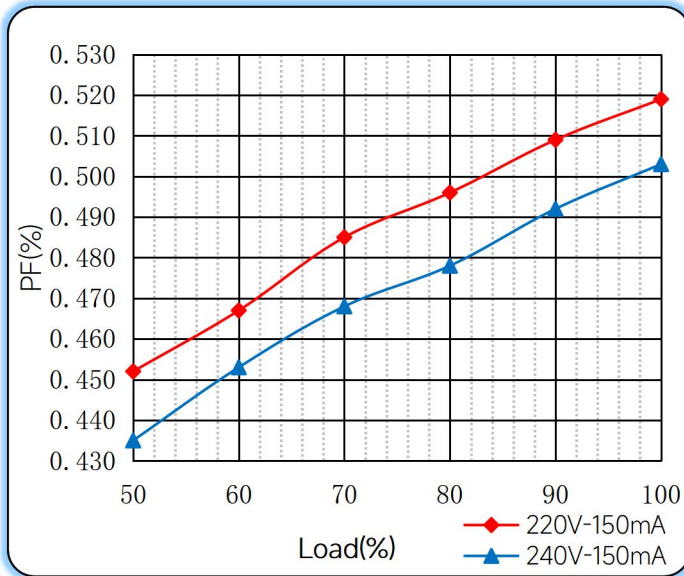
Lifetime vs. Temperature Curve



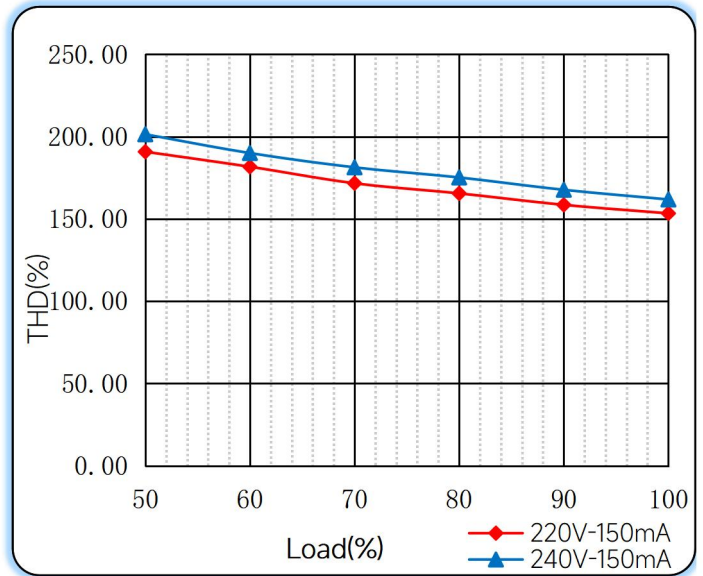
Efficiency vs. Load



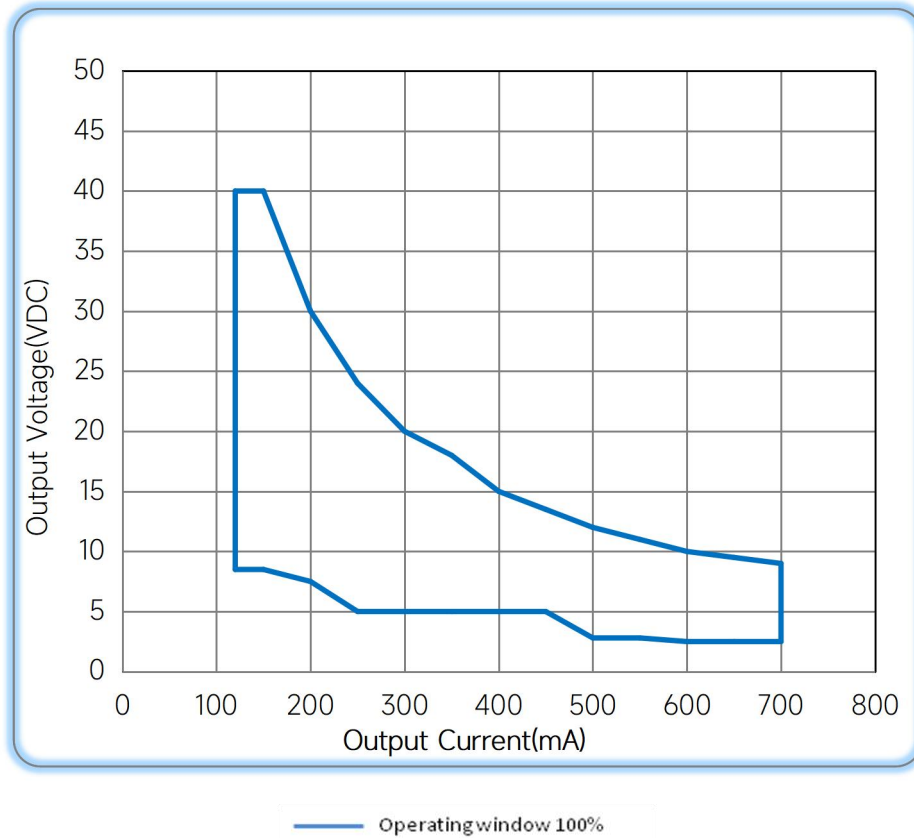
Power Factor Characteristics



THD vs. Load



◆ Operating window



◆ Revision Updates

ITEM	BEFORE	AFTER	VERSION	DATE
Initial			A	2022/05/15

Tel: +86-0757-86256822, +86-0757-86256831

E-mail: sales@eaglerise.com

Website : <https://lighting.eaglerise.com>



EAGLERISE



Manual