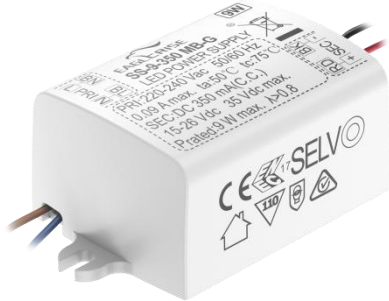


9W LED Driver Constant Current



■ Approve



Features

- Class II&I, SELV, built-in
- Input Voltage 220-240VAC
- Protections: SCP/OLP/OVP
- Power Factor 0.8
- Efficiency $\geq 78\%$
- 5 years warranty

Applications

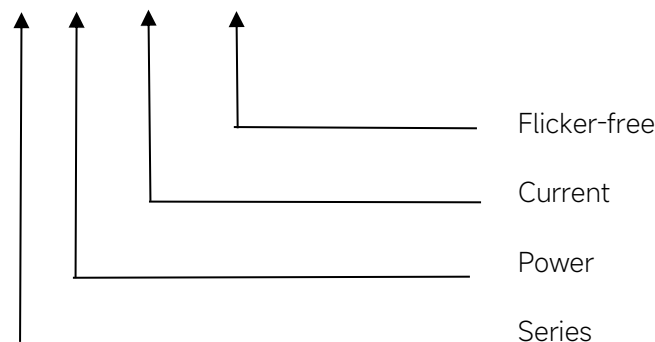
- LED spot light , LED down light,
- Wall light

◆ Description

SS-9-XXX MB-G is a 9W constant current LED driver that operates from 176-264Vac input with 200 to 700mA output voltage. With it's compact dimensions from 60 x 34 x 23.5mm it is easy to integrate in LED spot, down light and Wall light products. To ensure trouble-free operation, protection is provided against output short circuit and over Load.

◆ Model code

SS-9-XXX MB-G



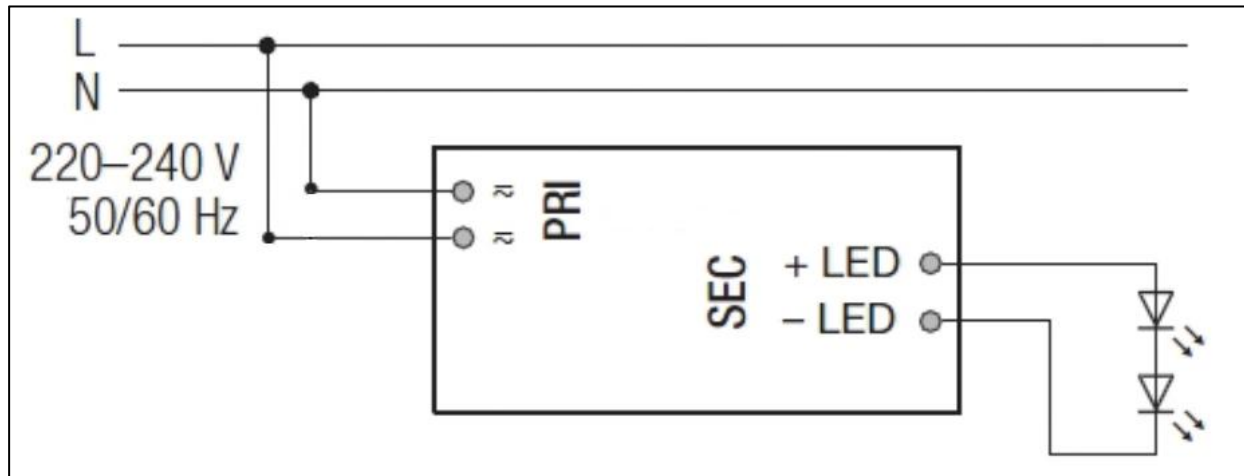
◆ Specification

Output	Constant Current	200mA	300mA	350mA	...	700mA
	Voltage Range	27-45VDC	18-30VDC	15-26VDC	...	7-13VDC
	Unload voltage Max.	55VDC	40VDC	35VDC	...	23VDC
	Current Accuracy	±5%				
	Output HF current ripple(≥1KHz)	±5%				
	Output LF current ripple(≤120Hz)	±5%				
	SVM	≤0.4				
	Pst	≤1				
	Efficiency(Typ.)	≥78%				
Input	Rated input voltage	220-240VAC				
	Range of input voltage	176-264VAC				
	Frequency(Hz)	50/60 Hz				
	Displacement factor	≥0.9				
	Power Factor	0.8C				
	Input Current max	0.09A				
	Start-up time	< 0.5S				
	No Load Power	≤0.5W				
Protection	Over Load Protection	103-120%				
		YES/Auto Resume				
	Over Voltage Protection	> 55VDC	> 40VDC	> 35VDC	...	> 23VDC
		YES/Auto Resume				
	Short circuit Protection	YES/Auto Resume				
Environment	Operating Temperature	-20°C~+50°C				
	Humidity	20%-90%RH				
	Tc	75°C				
	Storage Temperature	-40°C~+60°C				
	Life time	> 44000h@Tc=50°C,230VAC				
Surface	Dimension	60X34X23.5(LXWXH)mm				
standards	EN 61347-1; EN61347-2-13; EN62384; EN55015; EN61000-3-2 ; EN61000-3-3; EN 61547;					
Others	ErP	EU 2019/2020				
	RoHS	RoHS (2011/65/EU) (EU)2015/863				
Note	<p>1.All parameters NOT specially mentioned are measured at 240VAC input , full load and 25°C of ambient temperature.</p> <p>2.Ripple & Noise are measured at 20MHz of bandwidth by using a 300mm twisted pair-wire terminated with a 0.1uF & 47 uF parallel capacitor.</p>					

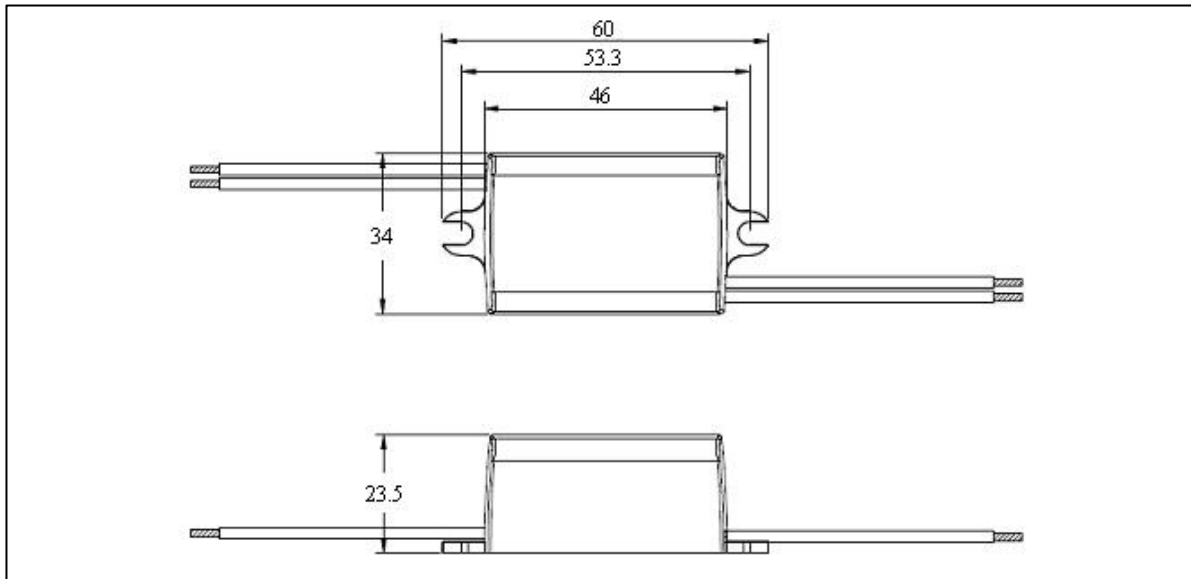
◆ Model list

No	Model number	Input			Output			
		Voltage (VAC)	Max.Current (A)	Frequency (Hz)	Constant current (mA)	Normal working voltage (VDC)	No load working voltage (VDC)	Max. Power(W)
1	SS-9-200 MB-G	220-240 0	0.09	50/60	200	27-45	55	9
2	SS-9-250 MB-G				250	21-36	46	
3	SS-9-300 MB-G				300	18-30	40	
4	SS-9-350 MB-G				350	15-26	35	
5	SS-9-400 MB-G				400	13-22.5	33	
6	SS-9-450 MB-G				450	11-20	30	
7	SS-9-500 MB-G				500	8.5-18	28	
8	SS-9-550 MB-G				550	9-16.5	25	9.1
9	SS-9-600 MB-G				600	9-15	25	9
10	SS-9-650 MB-G				650	8-14	24	9.1
11	SS-9-700 MB-G				700	7-13	23	9.1

◆ Wiring diagram

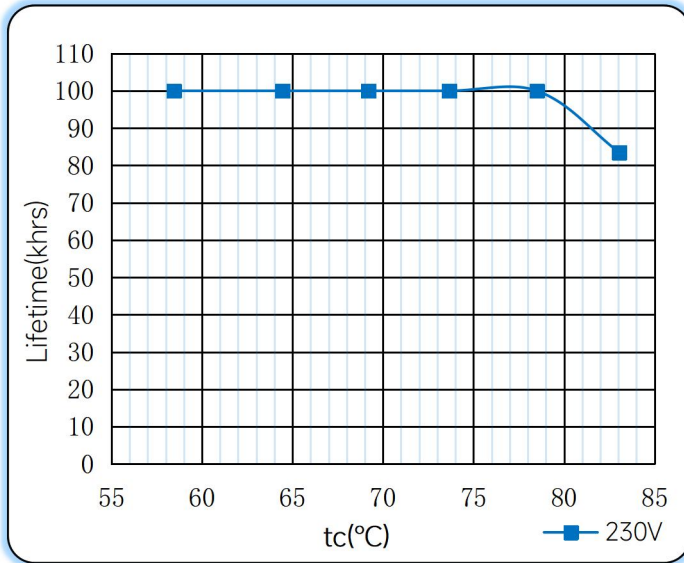


◆ 2D diagram

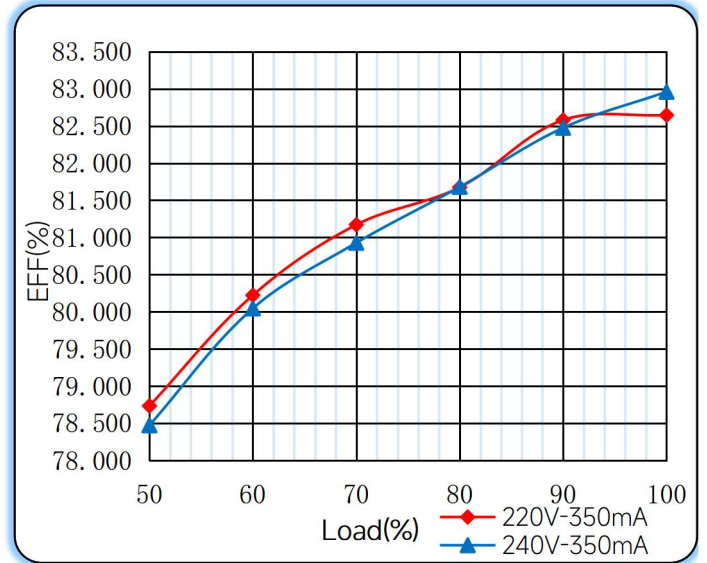


◆ **Curve for SS-9-350 MB-G, I_o=350mA**

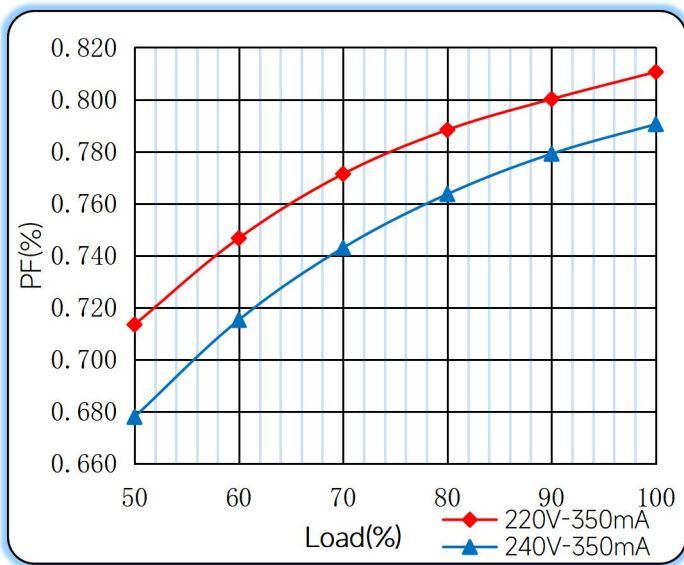
Lifetime vs. Temperature Curve



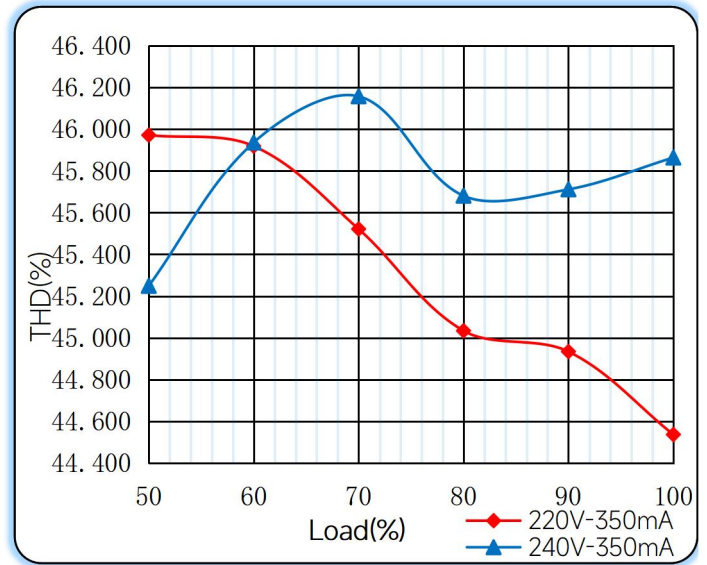
Efficiency vs. Load



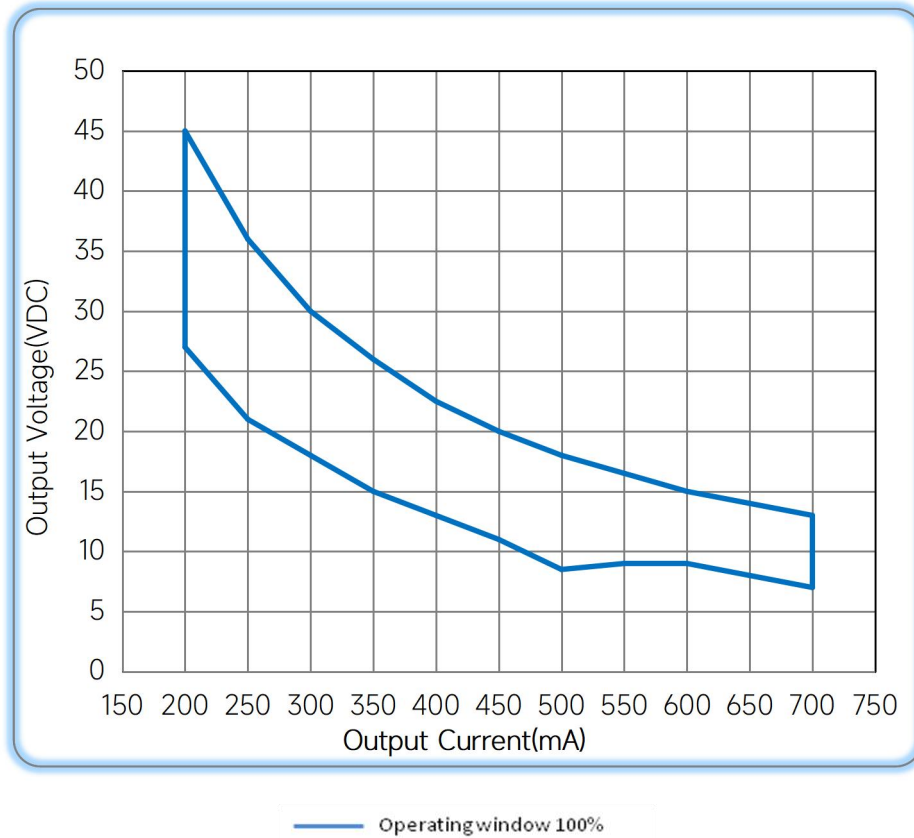
Power Factor Characteristics



THD vs. Load



◆ Operating window



◆ Revision Updates

ITEM	BEFORE	AFTER	VERSION	DATE
Initial			A	2022/05/15

Tel: +86-0757-86256822, +86-0757-86256831

E-mail: sales@eaglerise.com

Website : <https://lighting.eaglerise.com>



EAGLERISE



Manual