

25W DALI+PUSH Dimming power supply



Features

- Class II, SELV, independent
- Input Voltage 220-240VAC
- Protections: SCP/OLP/OVP/OTP
- Power Factor > 0.95
- Efficiency : 85%
- Support DALI-2, Push Dimming
- 5 years warranty

Applications

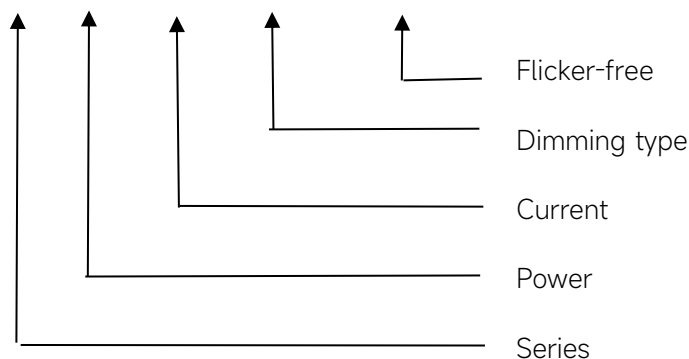
- LED panel, Down light

◆ Description

FLS-25-700 DALI-2 LA1 is a 25W constant current LED driver with 150 to 700mA output current and a forward voltage range from 9 to 52Vdc. The output current is adjustable by DIP Switch. With its dimensions from 160x 42 x 30mm it is easy to integrate in LED Panel and down light products. To ensure trouble-free operation, protection is provided against output short circuit and over Load.

◆ Model code

FLS-25-700 DALI-2 LA1



◆ Specification

Output	Constant Current (mA)	150	200	250	300	350	400	450	500	550	600	650	700	
	Voltage Range (VDC)	9-52									9-47.5	9-43.5	9-40	9-37.5
	Unload voltage Max.	60VDC												
	Current Accuracy	±7%						±5%						
	Output HF current ripple(≥1KHz)	±10%												
	Output LF current ripple(≤120Hz)	±3%												
	SVM	≤0.4												
	P _{st}	≤1												
	Efficiency(Typ.)	85%												
Input	Rated input voltage	220-240VAC												
	Range of input voltage	198-264VAC												
	Rated input voltage(DC)	198-280VDC												
	Frequency(Hz)	0/50/60 Hz												
	Displacement factor	≥0.9												
	Power Factor	>0.95												
	Input Current	0.2A												
	Start-up time	< 0.5S												
	No Load Power	≤0.5W												
	Standby Power	≤0.5W												
	Network standby power	≤0.5W												
	THD (Typ.)	<10%												
Dimming	Dimming	YES												
	Dimming mode	DALI-2 (IEC 62386-101,102,207) & Push												
	Dimming depth	1%												
	Dimming current range	1 ~100%												
Protection	Over Load Protection	103-120%												
		YES/Latch off												
	Over Voltage Protection	> 60VDC												
		YES/Latch off												
Environment	Short circuit Protection	YES/Latch off												
	Over Temperature Protection	YES/Auto Resume												
	Operating Temperature	-20°C~+45°C												
	Humidity	20%-90%RH												
	Tc	80°C												
Surface	Storage Temperature	-25°C~+60°C												
	Lifetime	>50000h,@Tc=70°C												
Surface	Dimension	160X42X30mm												

standards	EN 61347-1; EN61347-2-13; EN62384; EN55015; EN61000-3-2 ; EN61000-3-3; EN 61547;	
Others	ErP	EU 2019/2020
	RoHS	RoHS (2011/65/EU) (EU)2015/863
Note	1.All parameters NOT specially mentioned are measured at 230VAC input , full load and 25°C of ambient temperature. 2.Ripple & Noise are measured at 20MHz of bandwidth by using a 300mm twisted pair-wire terminated with a 0.1uF & 47 uF parallel capacitor.	

◆ Model list

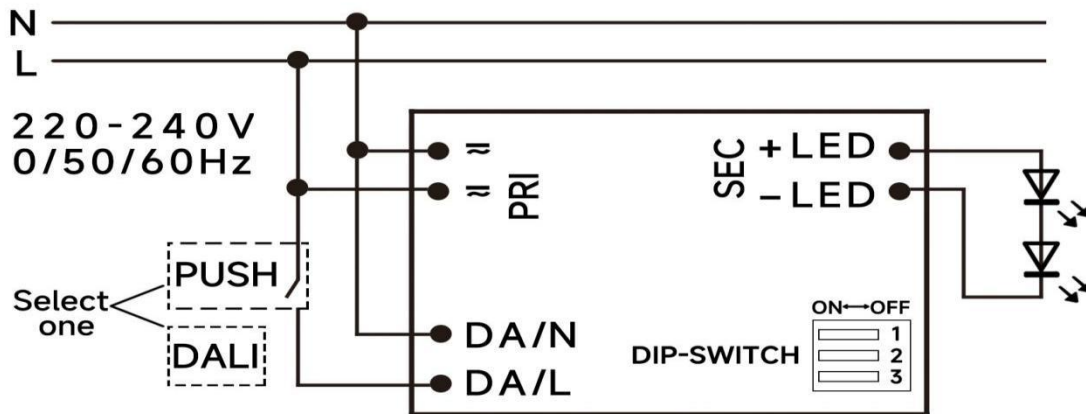
Number	Output	Switch position			
	Current(mA)	1	2	3	4
1	150	--	--	ON	--
2	200	ON	--	ON	--
3	250	--	ON	ON	--
4	300	ON	ON	ON	--
5	350	--	--	--	ON
6	400	ON	--	--	ON
7	450	--	ON	--	ON
8	500	ON	ON	--	ON
9	550	--	--	ON	ON
10	600	ON	--	ON	ON
11	650	--	ON	ON	ON
*12	700	ON	ON	ON	ON

* Factory default

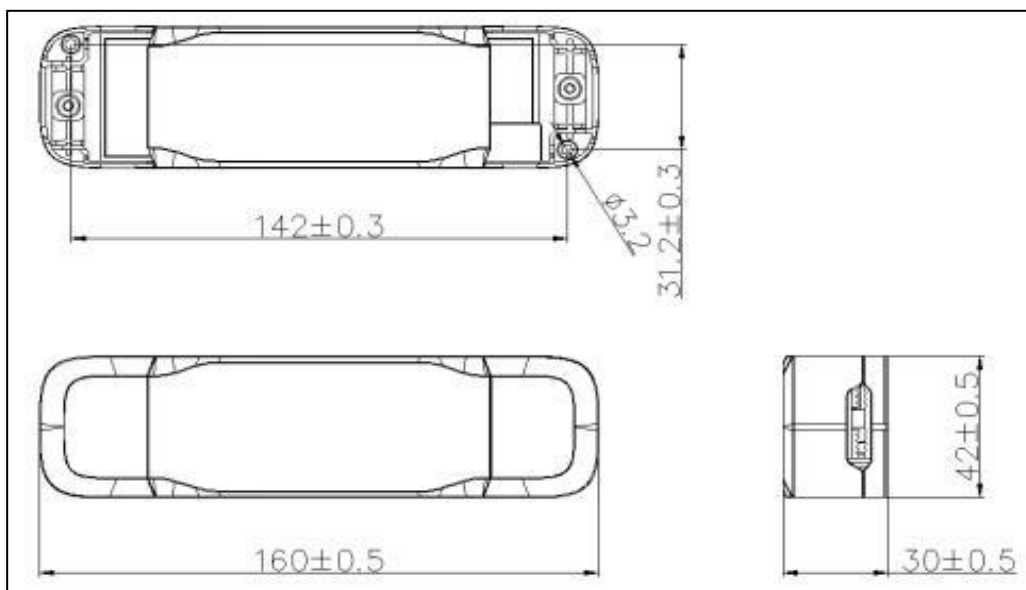
◆ Circuit Breaker

I _{peak}	T _{width}	B10	B16	B20	C10	C16	C20
6.16A	43.1μs	40pcs	64pcs	80pcs	40pcs	64pcs	80pcs

◆ **Wiring diagram**



◆ **2D diagram**

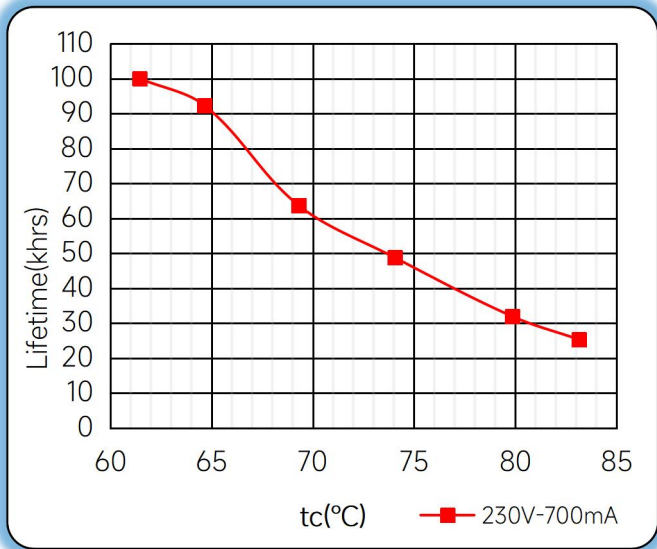


◆ **Wiring & Connections**

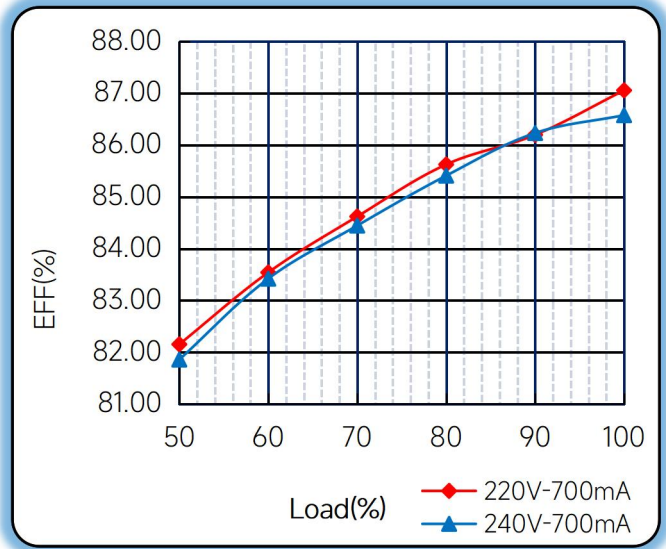
Specification item		Value (Unit)
Input	Input wire cross-section	0.5...1.5 mm ²
	Input wire gauge.	16...20 AWG
	Input wire strip length	8...9mm
Output	Output wire cross-section	0.5...1.5 mm ²
	Output wire gauge.	16...20 AWG
	Output wire strip length	8...9mm

◆ Curve for FLS-25-700 DALI-2 LA1, I_o=700mA

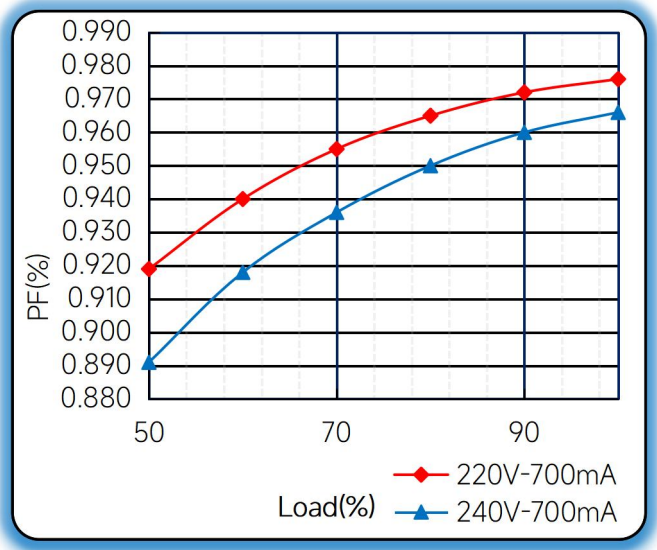
Lifetime vs. Temperature Curve



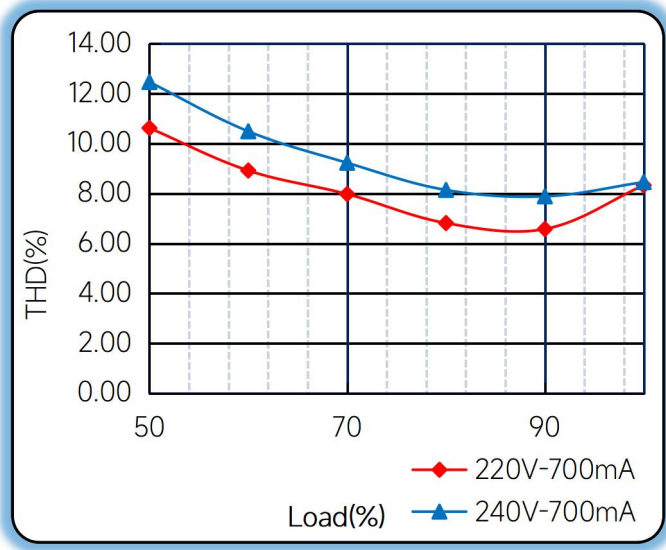
Efficiency vs. Load



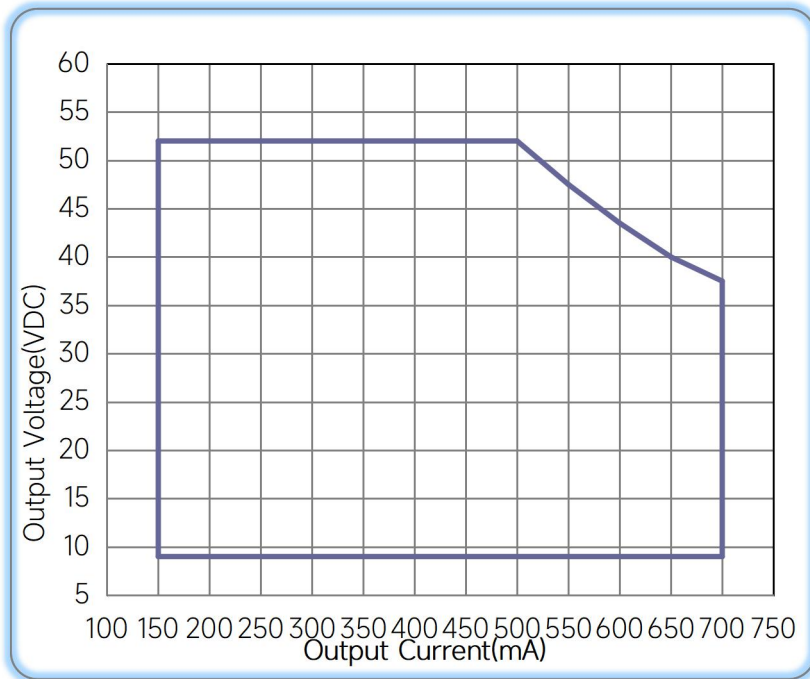
Power Factor Characteristics



THD vs. Load



◆ **Operating window**



— Operating window 100%

◆ **Revision Updates**

ITEM	BEFORE	AFTER	VERSION	DATE
Initial			A	2022/05/07

Tel: +86-0757-86256822, +86-0757-86256831

E-mail: sales@eaglerise.com

Website : <https://lighting.eaglerise.com>



EAGLERISE



Manual