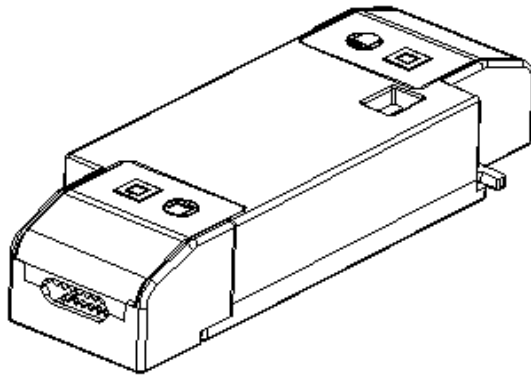


12W Constant Current DALI2-FLS Series

FLS-12-350 DALI2 LD



■ Approve

SELV CE

■ Features

- Class II, SELV, built-in
- Input Voltage 220-240VAC
- Protections: SCP/OLP/OVP/OTP
- Power Factor 0.9C
- Efficiency ≥82%
- Support DALI II, Push Dimming
- 5 years warranty

■ Applications(Typ.)

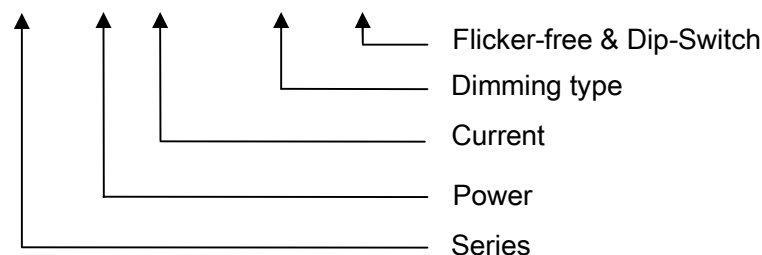
- LED strips
- LED panel
- Spot light
- Down light

■ Description

FLS-12-350 DALI2 LD is a 12W constant current LED driver with 120 to 350mA output current and a forward voltage range from 9 to 42Vdc. The output current is selectable by DIP Switch. With its dimensions from 119 x 40 x 21.5 mm it is easy to integrate in LED strips, LED panel, spot and down light products. To ensure trouble-free operation, protection is provided against output short circuit and over Load.

■ Model code

FLS-12-350 DALI2 LD



12W Constant Current DALI2-FLS Series

FLS-12-350 DALI2 LD

■ Specification

Input	Rated input voltage	220-240VAC
	Range of input voltage	198-264VAC
	Rated input voltage(DC)	198-254V
	DC voltage range	176-280V
	Frequency(Hz)	0/50/60 Hz
	Power Factor	λ :0.9C@220-240VAC, full load
	Input Current max	0.12A MAX. @Full Load,198VAC
	Start-up time	< 0.5S
	Unload Power Consumption	\leq 0.5W
	Inrush Current	30A Max. /50 μ s@230V, Full Load , 50%Ipk-50%Ipk
	THD	<10%@ Full Load, 230VAC
	Leakage Current	< 0.7mA(240VAC)
Output	Constant Current	120/.../350mA
	Unload voltage Max.	57VDC
	Voltage Range(VDC)	9-42VDC
	Rated power	14.7W Max.
	Current Accuracy	\pm 5%@250mA-350mA 220-240VAC, \pm 7%@120mA-200mA 220-240VAC
	Voltage Regulation	\pm 5% @Full Load,220-240VAC
	Load Regulation	\pm 5%@220-240VAC
	Hold-up Time	1s max. @Full Load
	Ripple& Noise *Note.2	\leq \pm 5%@Full Load, 230VAC
	Output LF current ripple(<120Hz)	\leq \pm 5%@Full Load, 230VAC
Efficiency(Typ.)	\geq 82%@Full Load, 230VAC	
Dimming	Dimmable	YES
	Dimming mode	DALI II, Push
	Dimming current range	1 ~100%
Protection	Over Load Protection	103-120% Protection type: Latch off
	Over Voltage Protection	> 57VDC Protection type: Latch off
	Short circuit Protection	Protection type: Latch off
	Over Temperature protection	Protection type: Auto Resume
Environment	Operating Temperature	-20°C...+45°C
	tc	80°C
	Storage Temperature	-25°C...+60°C
	Life time	> 44,000h@45°C @Full Load, 230VAC
Humidity		20%-90%RH
Others	Dimension(LXWXH)	Without side caps :119X40X21.5mm With side caps :85X40X21.5mm
Safety & EMC	Safety standards	EN 61347-1; EN61347-2-13; EN62384
	Withstand voltage	Input-Output : 3750V/5mA/1min
	Isolation resistance	Input-Output : \geq 4M Ω @500VDC
	EMI	EN55015; EN61000-3-2 Class C; EN61000-3-3
	EMS	EN 61547; EN 61000-4-2; EN 61000-4-5 —1000V;
Note	1.All parameters NOT specially mentioned are measured at 240VAC input , full load and 25°C of ambient temperature. 2.Ripple & Noise are measured at 20MHz of bandwidth by using a 300mm twisted pair-wire terminated with a 0.1 μ F & 47 μ F parallel capacitor.	

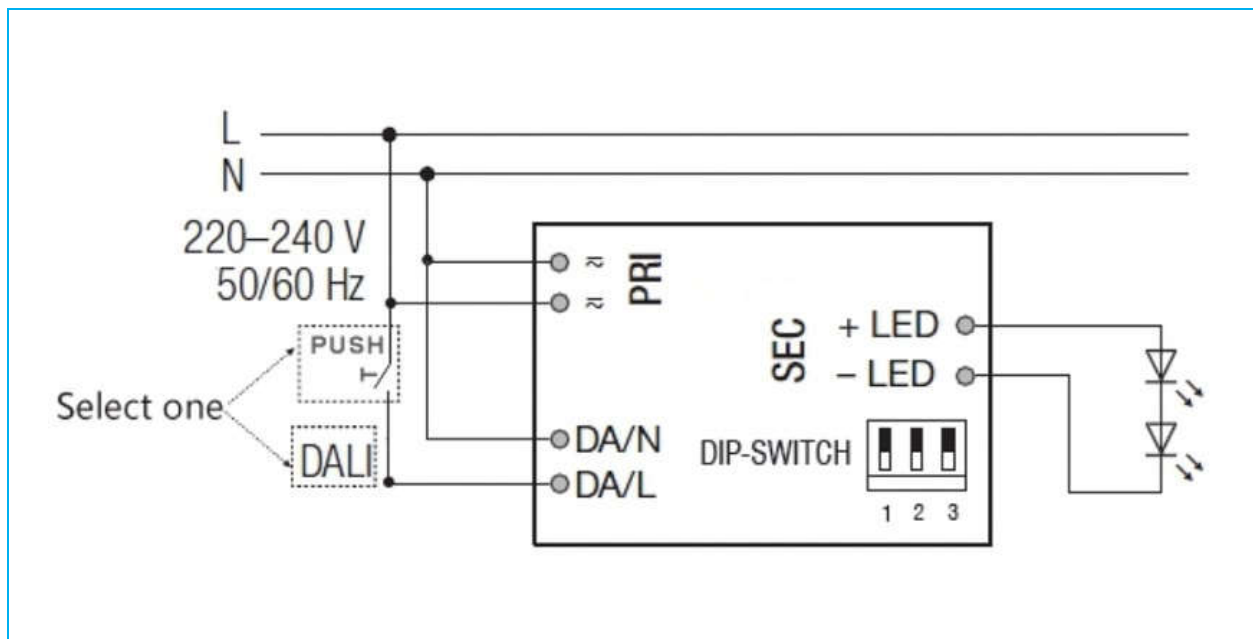
12W Constant Current DALI2-FLS Series

FLS-12-350 DALI2 LD

■ Adjustable Output Current with dip-switch

Vo	Po	Io	1	2	3
9-42VDC	5.04W	120mA	-	-	-
9-42VDC	6.3W	150mA	ON	-	-
9-42VDC	7.56W	180mA	-	ON	-
9-42VDC	8.4W	200mA	ON	ON	-
9-42VDC	10.5W	250mA	-	-	ON
9-42VDC	11.76W	280mA	ON	-	ON
9-42VDC	12.6W	300mA	-	ON	ON
9-42VDC	14.7W	350mA	ON	ON	ON

■ Wiring diagram

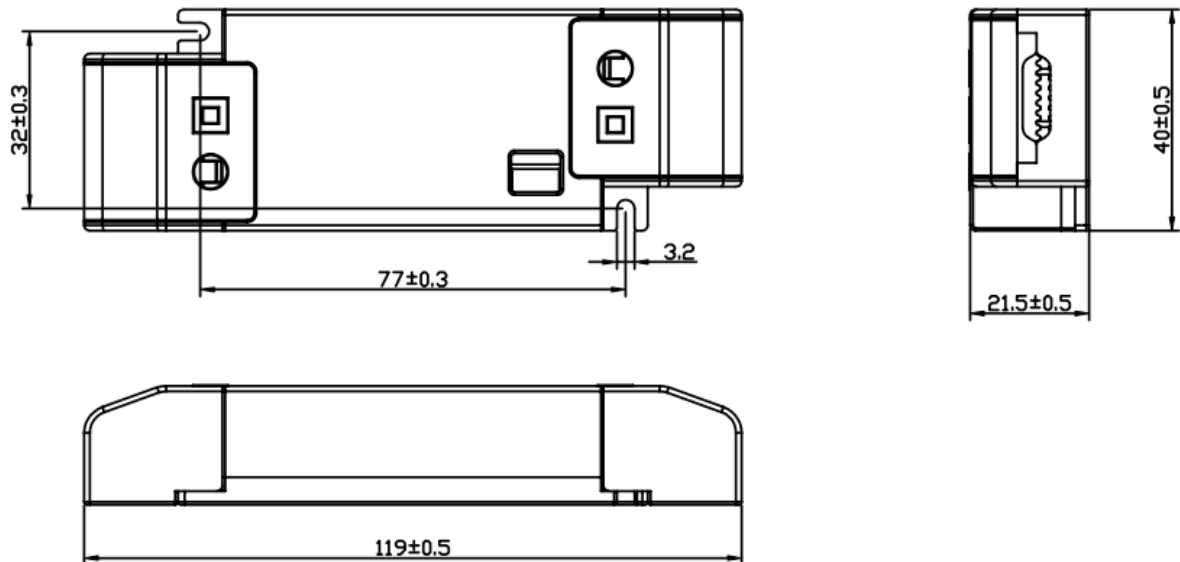


12W Constant Current DALI2-FLS Series

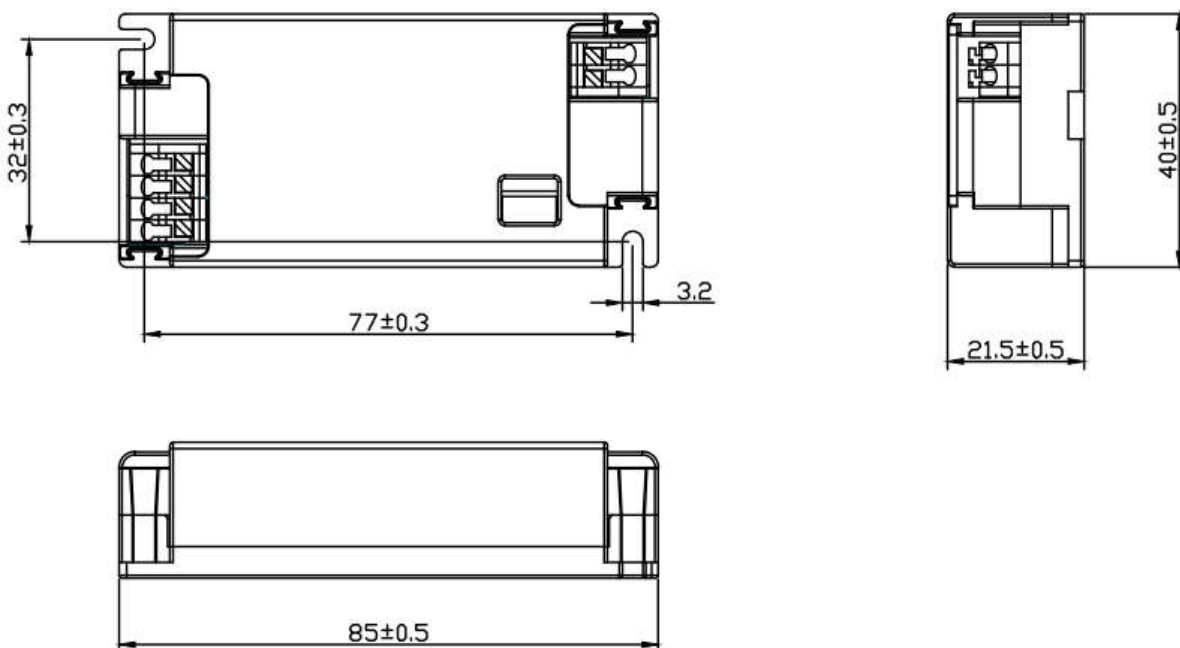
FLS-12-350 DALI2 LD

■2D diagram

Without side caps



With side caps

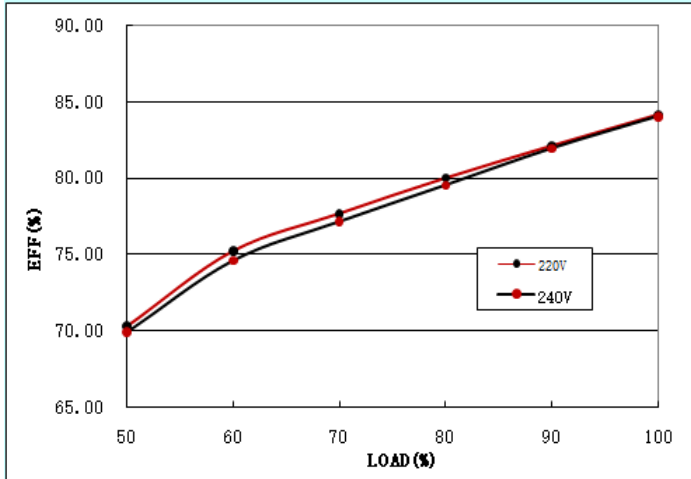


12W Constant Current DALI2-FLS Series

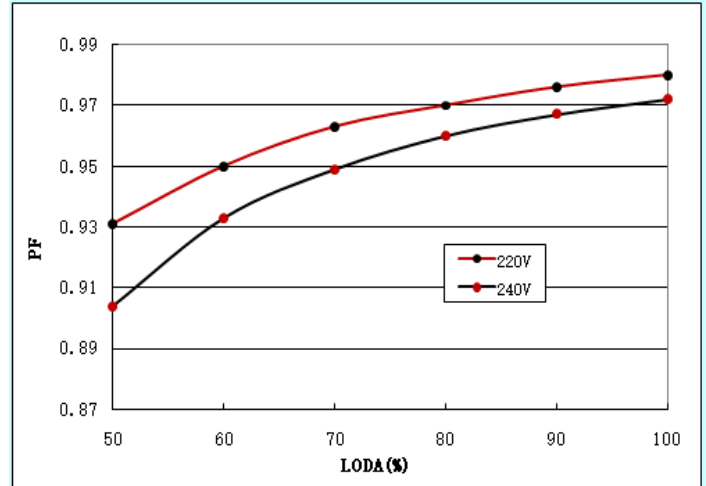
FLS-12-350 DALI2 LD

■ **Curve** for FLS-12-350 DALI2 LD , $I_o=350mA$

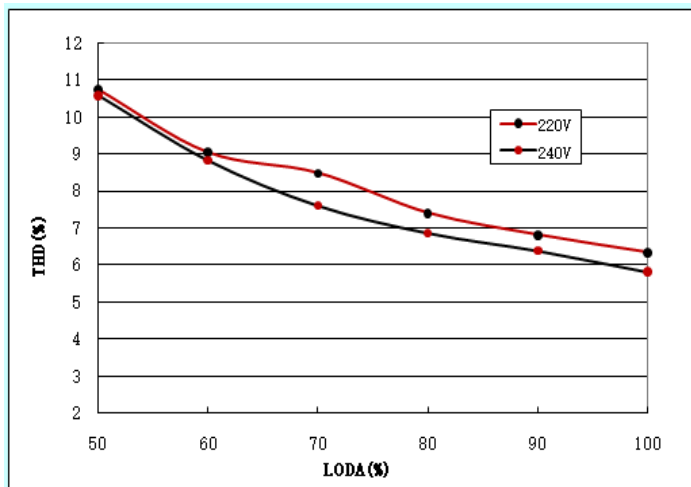
Efficiency vs. Load



Power Factor Characteristics



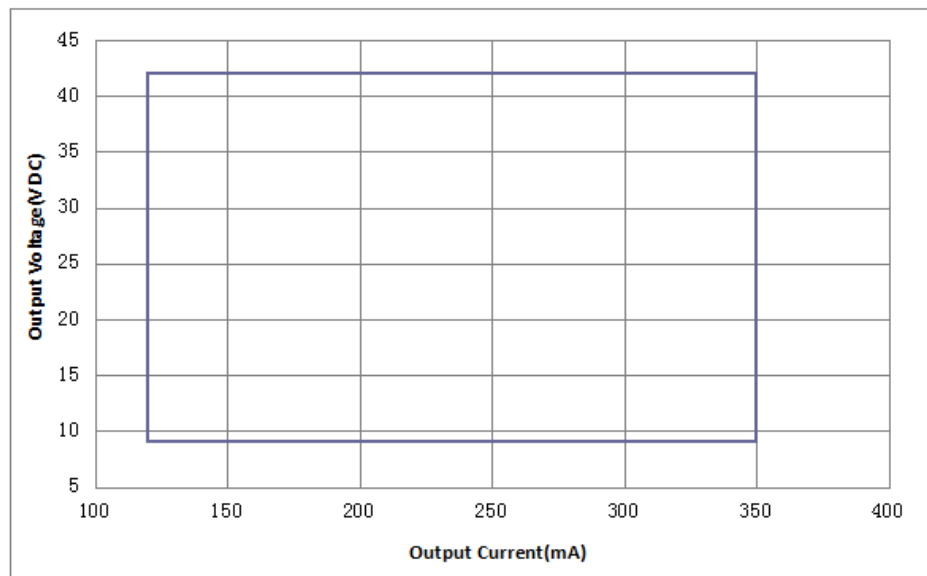
THD vs. Load



12W Constant Current DALI2-FLS Series

FLS-12-350 DALI2 LD

■ Operating window



— Operating window 100%