

26W Constant Current DALI2-FLS Series

FLS-26-700 DALI2 LD1



■ Approve



■ Features

- Class II, SELV, independent
- Input Voltage 220-240VAC
- Protections: SCP/OLP/OVP/OTP
- Power Factor >0.95
- Efficiency ≥85%
- Support DALI II, Push Dimming
- 5 years warranty

■ Applications(Typ.)

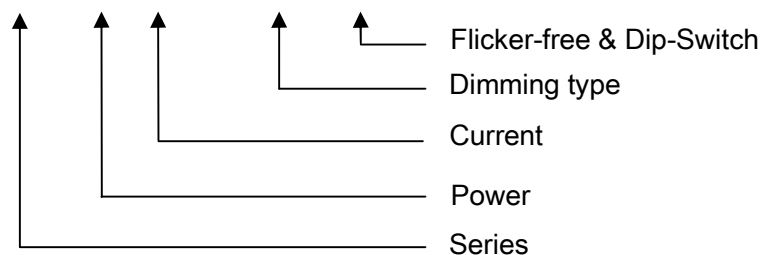
- LED strips
- LED panel
- Spot light
- Down light

■ Description

FLS-26-700 DALI2 LD1 is a 26W constant current LED driver with 150 to 700mA output current and a forward voltage range from 9 to 52Vdc. The output current is selectable by DIP Switch. With it's dimensions from 97 x 43 x 30mm it is easy to integrate in LED Panel, spot and down light products. To ensure trouble-free operation, protection is provided against output short circuit and over Load.

■ Model code

FLS-26-700 DALI2 LD1



26W Constant Current DALI2-FLS Series

FLS-26-700 DALI2 LD1

■ Specification

Input	Rated input voltage	220-240VAC
	Range of input voltage	176-264VAC
	Rated input voltage(DC)	198-254V
	Range of input voltage(DC)	176-280V
	Frequency(Hz)	0/50/60 Hz
	Power Factor	>0.95@220-240VAC, full load
	Input Current max	0.2A MAX. @Full Load,176VAC
	Start-up time	< 1±10%S @with DALI
	Unload Power Consumption	≤0.5W
	Inrush Current	30A Max.
	THD	<10%@ Full Load, 230VAC
	Leakage Current	< 0.7mA(240VAC)
Output	Constant Current	150/.../700mA
	Unload voltage Max.	60 VDC
	Voltage Range(VDC)	9-52VDC
	Rated power	26.3W Max.
	Current Accuracy	±5%@220-240VAC
	Voltage Regulation	±5% @Full Load,220-240VAC
	Load Regulation	±5%@220-240VAC
	Hold-up Time	1s max.@Full Load
	HF current Ripple *Note.2	≤±10%@Full Load, 240VAC
	Output LF current ripple(<120Hz)	≤±3%@Full Load, 240VAC
Efficiency(Typ.)	≥85%@Full Load, 230VAC	
Dimming	Dimmable	YES
	Dimming mode	DALI II, Push
	Dimming current range	100% lo ~5mA
Protection	Over Load Protection	103-120% Protection type: Latch off
	Over Voltage Protection	> 60VDC Protection type: Latch off
	Short circuit Protection	Protection type: Latch off
	Over Temperature protection	Protection type: Auto Resume
Environment	Operating Temperature	-20°C...+50°C
	tc	85°C@Full Load,198-264VAC
	Storage Temperature	-25°C...+60°C
	Life time	> 44,000h@50°C @Full Load,220-240VAC
	Humidity	20%-90%RH
Others	Dimension(LXWXH)	With side caps: 131X43X30mm Without side caps: 97X43X30mm
	Safety standards	EN 61347-1; EN61347-2-13; EN62384
Safety & EMC	Withstand voltage	Input-Output : 3750V/5mA/1min
	Isolation resistance	Input-Output : ≥4MΩ@500VDC
	EMI	EN55015; EN61000-3-2 Class C; EN61000-3-3
	EMS	EN 61547; EN 61000-4-2; EN 61000-4-5 —1000V;
	Note	1.All parameters NOT specially mentioned are measured at 240VAC input , full load and 25°C of ambient temperature. 2.Ripple & Noise are measured at 20MHz of bandwidth by using a 300mm twisted pair-wire terminated with a 0.1uF & 47 uF parallel capacitor.

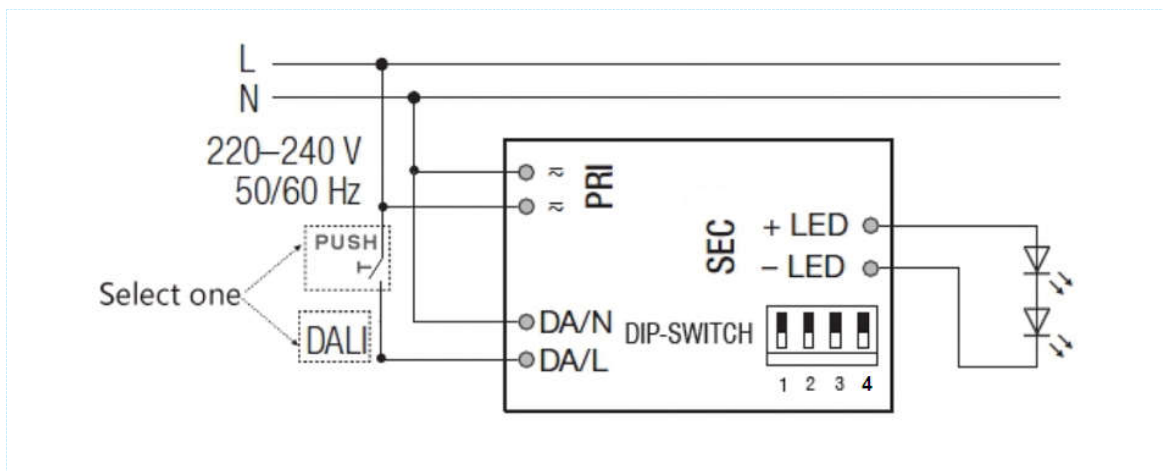
26W Constant Current DALI2-FLS Series

FLS-26-700 DALI2 LD1

■ Adjustable Output Current with dip-switch

Vo	Po	Io	1	2	3	4
9-52VDC	7.8W	150mA	--	--	ON	--
9-52VDC	10.4W	200mA	ON	--	ON	--
9-52VDC	13W	250mA	--	ON	ON	--
9-52VDC	15.6W	300mA	ON	ON	ON	--
9-52VDC	18.2W	350mA	--	--	--	ON
9-52VDC	20.8W	400mA	ON	--	--	ON
9-52VDC	23.4W	450mA	--	ON	--	ON
9-52VDC	26W	500mA	ON	ON	--	ON
9-47.5VDC	26.1W	550mA	--	--	ON	ON
9-43.5VDC	26.1W	600mA	ON	--	ON	ON
9-40VDC	26W	650mA	--	ON	ON	ON
9-37.5VDC	26.3W	700mA	ON	ON	ON	ON

■ Wiring diagram

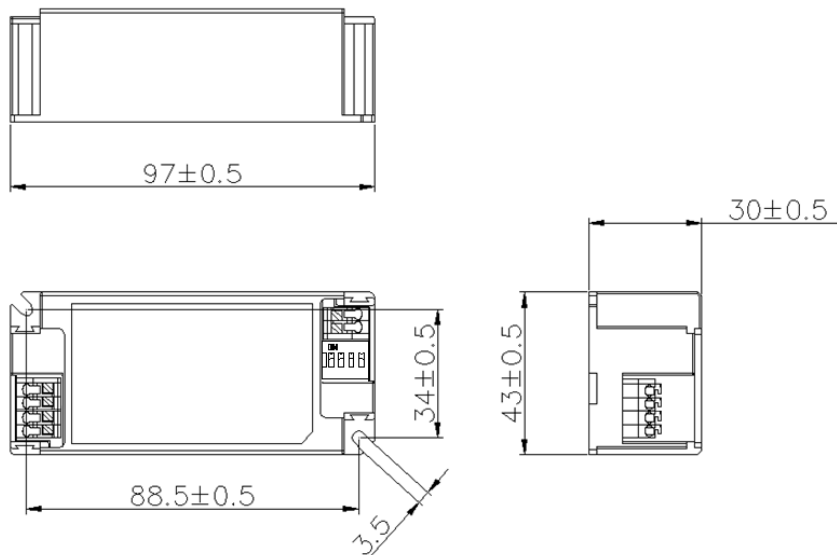


26W Constant Current DALI2-FLS Series

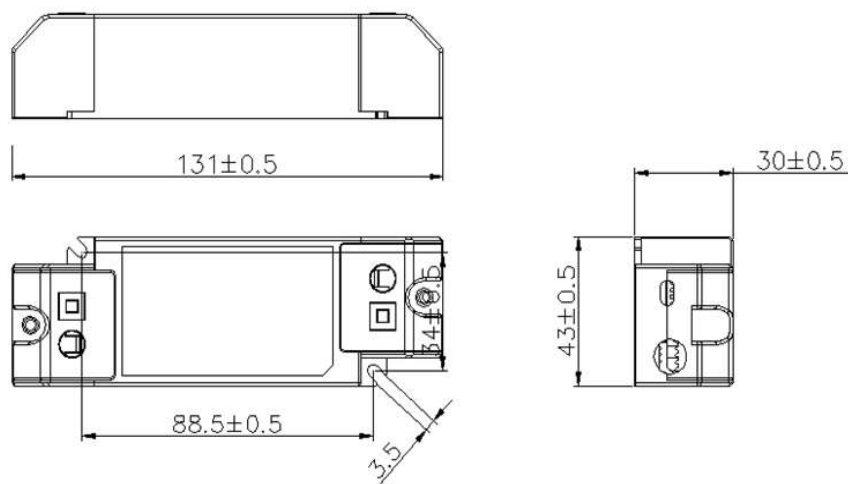
FLS-26-700 DALI2 LD1

■2D diagram

Without side caps



With side caps

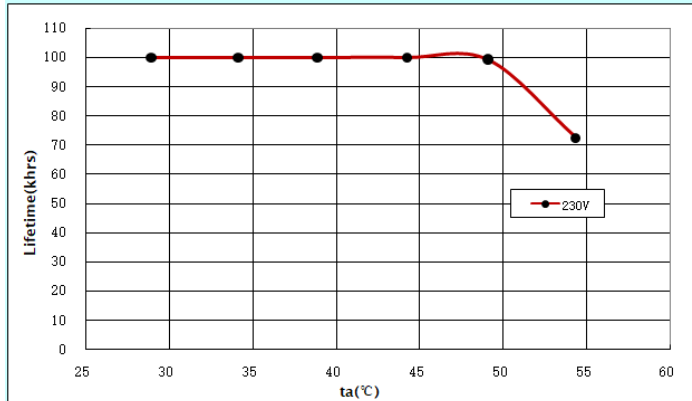


26W Constant Current DALI2-FLS Series

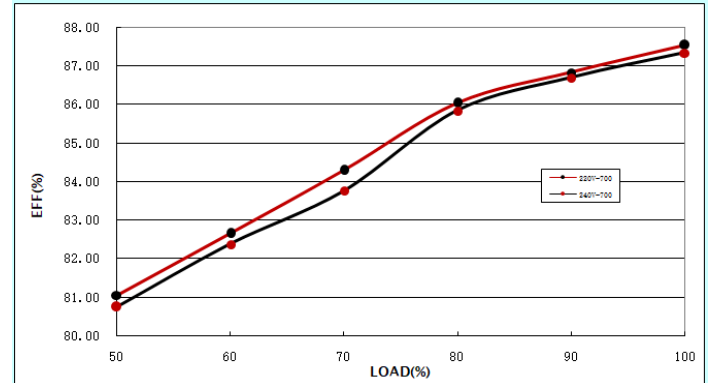
FLS-26-700 DALI2 LD1

■ Curve for FLS-26-700 DALI2 LD1, $I_o=700\text{mA}$

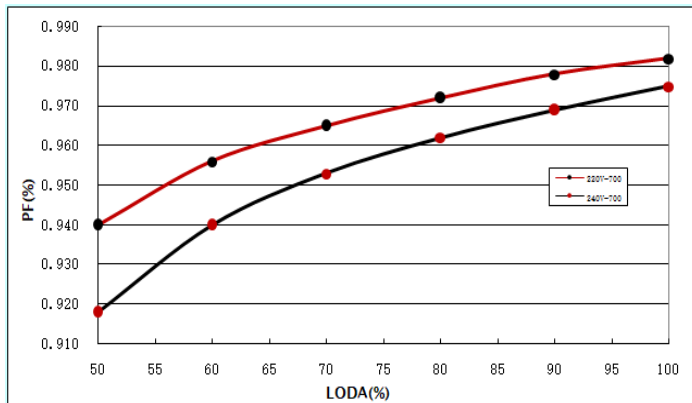
Lifetime vs. Ambient Temperature Curve



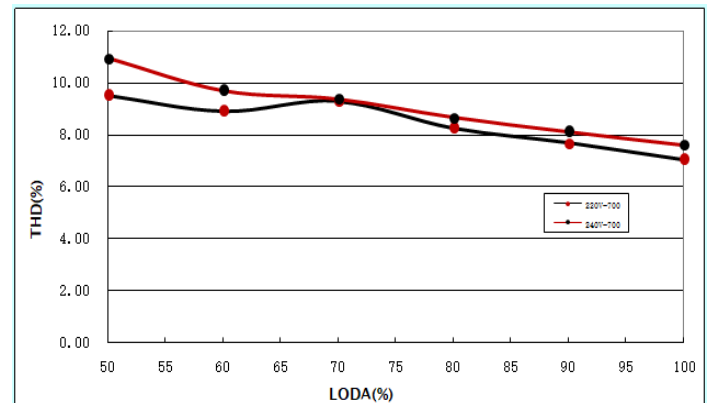
Efficiency vs. Load



Power Factor Characteristics



THD vs. Load



■ Operating window

