

## 150W Constant Voltage-LS Series

LS-150-24 DALI2 LI



■ Approve



### ■ Features

- Class II, SELV, independent
- Input Voltage 220-240VAC
- Protections: SCP/OLP/OVP
- Power Factor >0.95
- Efficiency ≥89%
- Support DALI II, Push Dimming
- 5 years warranty

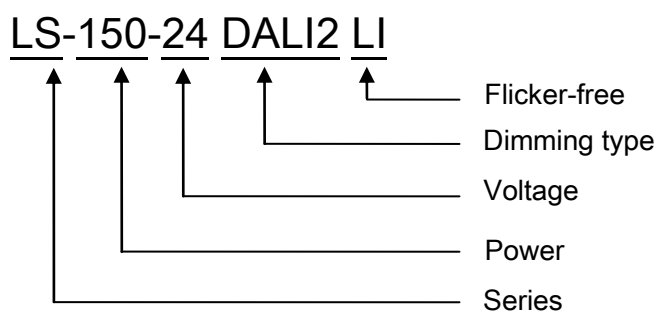
### ■ Applications

- LED strips
- Linear light
- Troffer light

### ■ Description

LS-150-24 DALI2 LI is a 150W constant voltage LED driver that operates from 198-264Vac input with 24V output voltage. With its compact dimensions from 290 x 45 x 30.5mm it is easy to integrate in LED strips, linear light and troffer light products. To ensure trouble-free operation, protection is provided against output short circuit and over Load.

### ■ Model code



## 150W Constant Voltage-LS Series

LS-150-24 DALI2 LI

### ■ Specification

Input	Rated input voltage	220-240VAC
	Range of input voltage	198-264VAC
	Frequency(Hz)	50/60 Hz
	Power Factor	> 0.95@220-240VAC, Full load
	Input Current max	1A MAX. @Full Load,198VAC
	Start-up time	< 1S
	Unload Power Consumption	≤0.5W
	Inrush Current	90A Max.
	THD	<10%
	Leakage Current	< 0.7mA(240VAC)
Output	Constant Voltage	24±1VDC
	Current Range	6.25A Max.
	Rated power	150W Max.
	Voltage Accuracy	±3.5%
	Voltage Regulation	±1% @Full Load
	Load Regulation	±1%
	Hold-up Time	≥5ms/230VAC @ full load
	Ripple & Noise *Note.2	≤1%@Full Load,240VAC
	Output LF current ripple(<120Hz)	≤1%@Full Load,240VAC
	Efficiency(Typ.) *Note.3	≥89%
Dimming	Dimmable	YES
	Dimming mode	DALI II, Push
	Dimming current range	1%~100%
Protection	Over Load Protection	105-150% rated output power Protection type: Auto Resume
	Short circuit Protection	Protection type: Auto Resume
	Over Temperature protection	Protection type: Auto Resume
Environment	Operating Temperature	-20°C...+45°C
	tc	85°C
	Storage Temperature	-20°C...+60°C
	Life time	> 50,000h@Tc max
	Temperature coefficient	±0.03%/°C(0-40°C)
Humidity		20%-95%RH
Others	Dimension	290X45X30.5(LXWXH)mm
Safety & EMC	Safety standards	EN 61347-1; EN61347-2-13; EN62384
	Withstand voltage	Input-Output : 3750V/5mA/1min
	Isolation resistance	Input-Output : ≥4MΩ@500VDC
	EMI	EN55015; EN61000-3-2 Class C; EN61000-3-3
	EMS	EN 61547; EN 61000-4-2; EN 61000-4-5 —1000V;
Note	1.All parameters NOT specially mentioned are measured at 240VAC input , full load and 25°C of ambient temperature. 2.Ripple & Noise are measured at 20MHz of bandwidth by using a 300mm twisted pair-wire terminated with a 0.1uF & 47 uF parallel capacitor. 3.Efficiency will be about 1% lower if measured immediately after startup	

## 150W Constant Voltage-LS Series

### LS-150-24 DALI2 LI

#### ■ Model list

No.	Model number	Input			Output		
		Voltage (VAC)	Max.Current (A)	Frequency (Hz)	Constant voltage (V)	Normal working current (A)	Max. Power(W)
1	LS-150-24 DALI2 LI	220-240	1	50/60	24	0-6.25	150

#### ■ Maximum loading of automatic circuit breakers in relation to inrush current

Automatic circuit breaker type	C10	C13	C16	C20	B10	B13	B16	B20
Installation Ø	1.5mm <sup>2</sup>	1.5mm <sup>2</sup>	1.5mm <sup>2</sup>	1.5mm <sup>2</sup>	1.5mm <sup>2</sup>	1.5mm <sup>2</sup>	1.5mm <sup>2</sup>	1.5mm <sup>2</sup>
LS-150-24 DALI2 LI	7	8	10	13	4	5	6	8

These are max values calculated out of inrush current! Please consider not to exceed the maximum rated continuous current of the circuit breaker.

Actual values may differ due to used circuit breaker types and installation environment.

#### ■ wiring

LED wire length

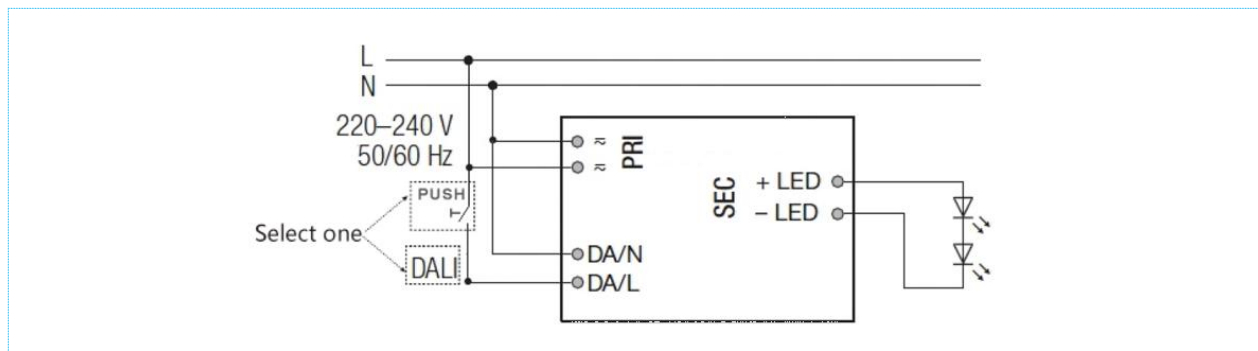
EAGLERISE internally verified the wire length from LED driver to LED module at full load is up to 18 meter

Chose a proper wire thickness to reduce the voltage drop effect

Wire cross section	mm <sup>2</sup>	1.0mm <sup>2</sup>	1.5mm <sup>2</sup>
	AWG	17	15
Maximum cable length		10m	18m

The values are indicative. Each connection may increase the total voltage drop

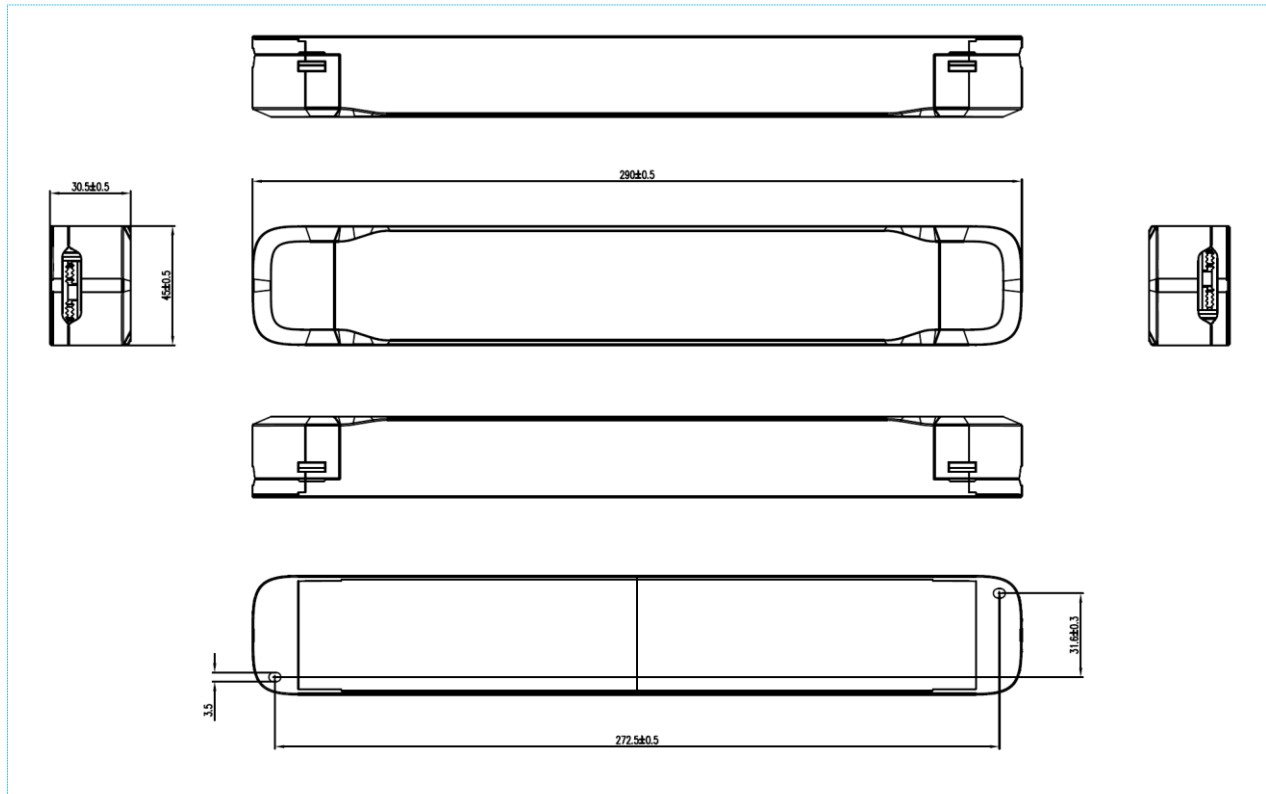
#### ■ Wiring diagram



## 150W Constant Voltage-LS Series

LS-150-24 DALI2 LI

### ■2D diagram



### ■Operating window

