

8W Constant Current -LS Series

LS-8-XXX LI1

■ Approve

SELV CE

■ Features

- Class II, SELV, independent
- Input Voltage 220-240VAC
- Protections: SCP/OLP/OVP
- Power Factor λ : 0.95
- Efficiency $\geq 78\%$
- 5 years warranty

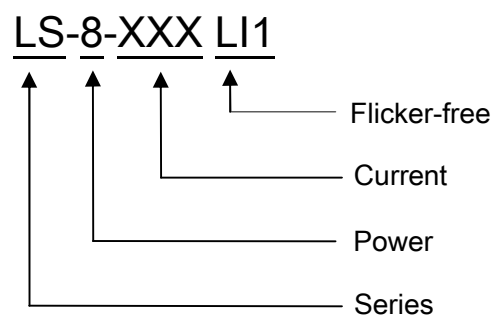
■ Applications

- LED panel
- LED spot lights
- LED down lights
- COB lights

■ Description

LS-8-XXX LI1 is a 8W constant current LED driver that operates from 176-264Vac input with 120 to 350mA output current. With its compact dimensions from 100 x 38 x 25mm it is easy to integrate in LED Panel, spot, down lights and COB lights. To ensure trouble-free operation, protection is provided against output short circuit and over Load.

■ Model code



8W Constant Current -LS Series

LS-8-XXX LI1

■ Specification

Input	Rated input voltage	220-240VAC				
	Range of input voltage	176-264VAC				
	DC voltage range	176-280V				
	Frequency(Hz)	0/50/60 Hz				
	Power Factor	λ : 0.95@Full Load,240VAC				
	Input Current max	0.07A MAX. @Full Load,176VAC				
	Start-up time	< 0.5S				
	Unload Power Consumption	≤0.5W				
	Inrush Current	20A Max.				
	THD	< 25% @Full Load,240VAC				
	Leakage Current	< 0.5mA(240VAC)				
Output	Constant Current Max. *Note.3	120mA	150mA	200mA	...	350mA
	Unload voltage Max.	63VDC	63VDC	50VDC	...	32VDC
	Voltage Range(VDC)	27-54VDC	27-53VDC	22-42VDC	...	12-24VDC
	Rated power	6.5W Max.	8W Max.	8.4W Max.	...	8.4W Max.
	Current Accuracy	±10%			±7%	
	Voltage Regulation	±5% @Full Load				
	Load Regulation	±10%@220-240VAC			±7%@220-240VAC	
	Hold-up Time	1s max.@Full Load				
	Ripple& Noise *Note.2	≤±3% @Full Load,240VAC				
	Output LF current ripple(<120Hz)	TBD				
	Efficiency(Typ.)	≥78%				
Protection	Over Load Protection	103-120% Protection type: Auto Resume				
	Over Voltage Protection	> 63VDC	> 63VDC	...	> 32VDC	> 50VDC
	Short circuit Protection	Protection type: Auto Resume				
	Over Temperature protection	NA				
Environment	Operating Temperature	-20°C...+45°C				
	tc	75°C				
	Storage Temperature	-25°C...+60°C				
	Life time	> 50,000h@ta=45°C, 230VAC				
	Humidity	10%-90%RH				
Others	Dimension	100X38X25(LXWXH)mm				
Safety & EMC	Safety standards	EN 61347-1; EN61347-2-13; EN62384				
	Withstand voltage	Input-Output : 3750V/5mA/1min				
	Isolation resistance	Input-Output : ≥4MΩ@500VDC				
	EMI	EN55015; EN61000-3-2 Class C; EN61000-3-3				
	EMS	EN 61547; EN 61000-4-2; EN 61000-4-5 —1000V;				
Note	1.All parameters NOT specially mentioned are measured at 240VAC input , full load and 25°C of ambient temperature. 2.Ripple & Noise are measured at 20MHz of bandwidth by using a 300mm twisted pair-wire terminated with a 0.1uF & 47 uF parallel capacitor. 3.Output current can be from 120mA to 350mA. Please see Model list below and contact EAGLERISE for details.					

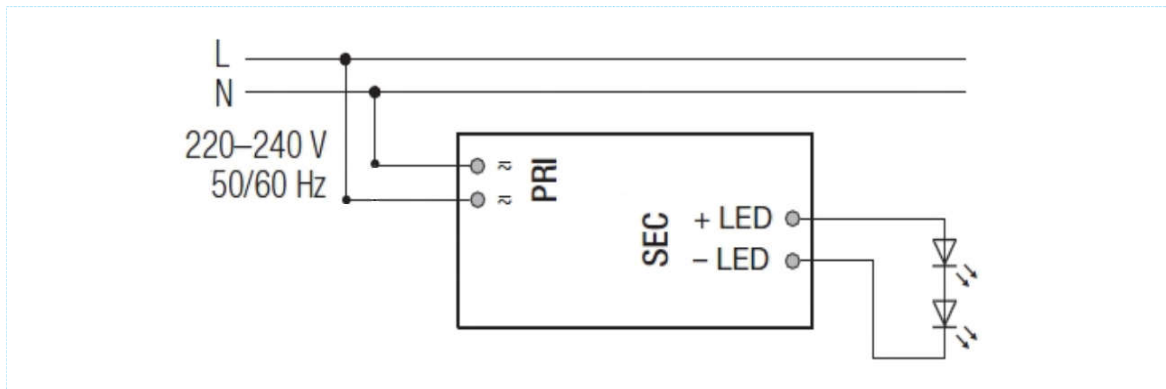
8W Constant Current -LS Series

LS-8-XXX LI1

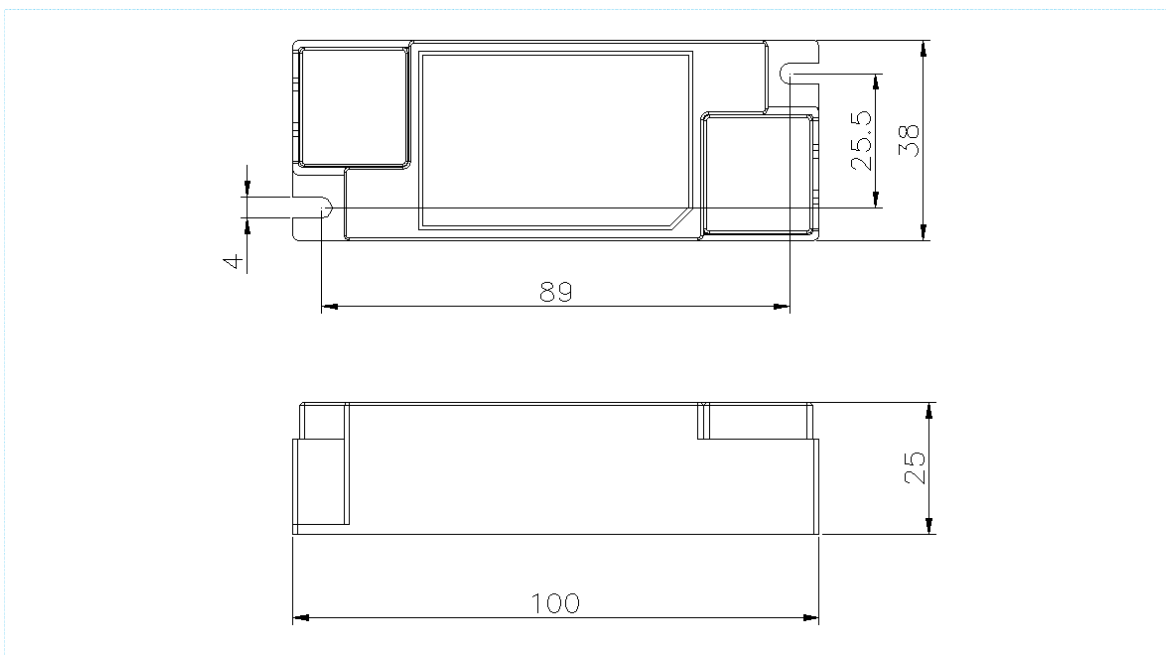
Model list

No.	Model number	Input			Output			
		Voltage (VAC)	Max.Current (A)	Frequency (Hz)	Constant current (mA)	Normal working voltage (VDC)	No load working voltage (VDC)	Max. P _{rated} (W)
1	LS-8-120 LI1	220-240	0.07	50/60	120	27-54	63	6.5
2	LS-8-150 LI1	220-240	0.07	50/60	150	27-53	63	8
3	LS-8-200 LI1	220-240	0.07	50/60	200	22-42	50	8.4
4	LS-8-300 LI1	220-240	0.07	50/60	300	14-27	35	8.1
5	LS-8-350 LI1	220-240	0.07	50/60	350	12-24	32	8.4

Connection diagram



2D diagram

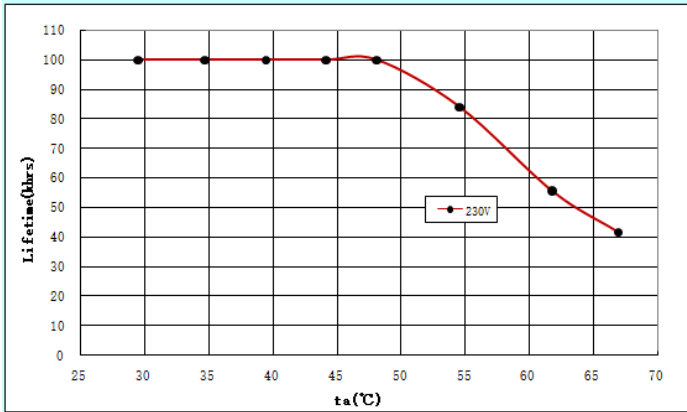


8W Constant Current -LS Series

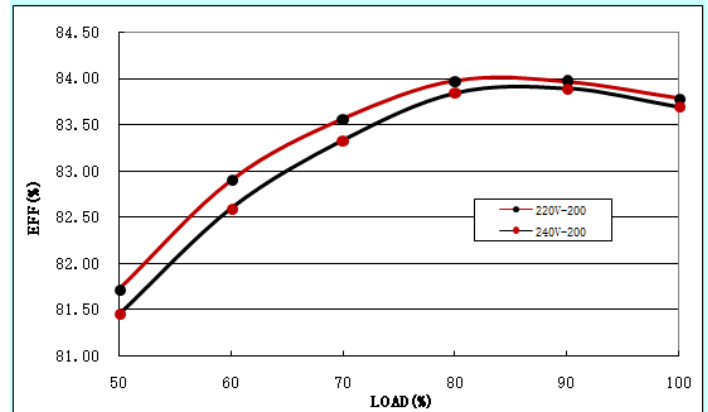
LS-8-XXX LI1

Curve for LS-8-200 LI1

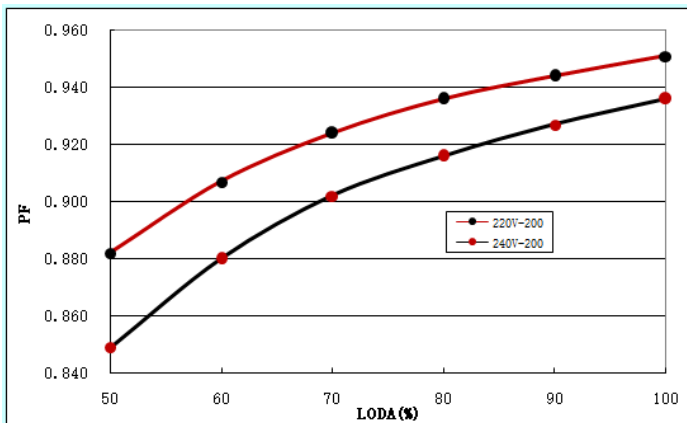
Lifetime vs. Ambient Temperature Curve



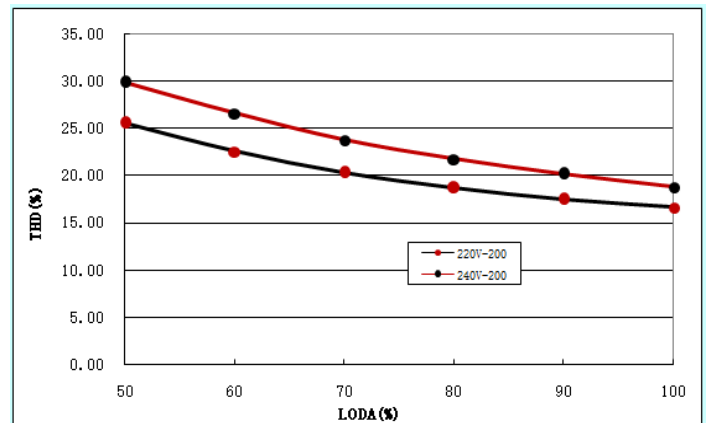
Efficiency vs. Load



Power Factor Characteristics



THD vs. Load



Operating window

