

## 8W Constant Current -LS Series

LS-8-XXX MI

■ Approve

SELV CE

### ■ Features

- Class II, SELV, independent
- Input Voltage 220-240VAC
- Protections: SCP/OLP/OVP
- Power Factor: 0.85C
- Efficiency  $\geq 80\%$
- 5 years warranty

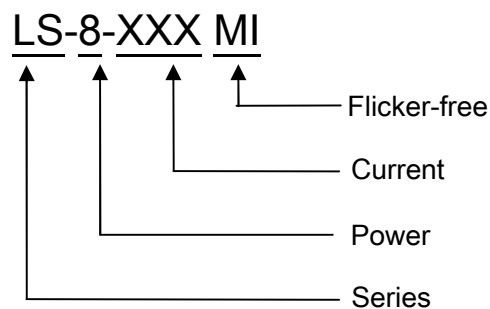
### ■ Applications

- LED panel
- LED spot light
- LED down light
- COB light

### ■ Description

LS-8-XXX MI is a 8W constant current LED driver with 120mA to 700mA output current. With it's compact dimensions from 92 x 36 x 25mm it is easy to integrate in LED Panel, spot, down light and COB light products. To ensure trouble-free operation, protection is provided against output short circuit and over Load.

### ■ Model code



## 8W Constant Current -LS Series

LS-8-XXX MI

### ■ Specification

Input	Rated input voltage	220-240VAC				
	Range of input voltage	198-264VAC				
	DC voltage range	176-280V				
	Frequency(Hz)	0/50/60 Hz				
	Power Factor	0.85C@Full Load,240VAC				
	Input Current max	0.10A MAX. @Full Load,198VAC(Please see Model list below for details.)				
	Start-up time	< 0.5S				
	Unload Power Consumption	≤0.5W				
	Inrush Current	10A Max. /300μs@230V, Full Load , 50%Ipk-50%Ipk				
	THD	<70% @Full Load,230VAC				
	Leakage Current	< 0.7mA(240VAC)				
Output	Constant Current	120mA	150mA	...	500mA	700mA
	Unload voltage Max.	55VDC	55VDC	...	25VDC	20VDC
	Voltage Range(VDC)	24-42VDC	24-42VDC	...	10-16VDC	7-12VDC
	Rated power	5W Max.	6.3W Max.	...	8W Max.	8.4W Max.
	Current Accuracy	±5% @ 220-240VAC				
	Voltage Regulation	±5% @Full Load , 220-240VAC				
	Load Regulation	±5% @220-240VAC				
	Hold-up Time	1s max.@Full Load				
	Ripple& Noise *Note.2	≤±5% @Full Load , 230VAC				
	Efficiency(Typ.)	≥80%			≥78%	78%
Protection	Over Load Protection	103-140% Protection type: Auto Resume				
	Over Voltage Protection	> 47VDC	>47VDC	...	>20VDC	>16VDC
	Short circuit Protection	Protection type: Auto Resume				
Environment	Operating Temperature	-20°C...+45°C				
	tc	75°C				
	Storage Temperature	-25°C...+60°C				
	Life time	> 30,000h@45°C				
	Humidity	20%-90%RH				
Others	Dimension	92X36X25(LXWXH)mm				
Safety & EMC	Safety standards	EN 61347-1; EN61347-2-13; EN62384				
	Withstand voltage	Input-Output : 3750V/5mA/1min				
	Isolation resistance	Input-Output : ≥4MΩ@500VDC				
	EMI	EN55015; EN61000-3-2 Class C; EN61000-3-3				
	EMS	EN 61547; EN 61000-4-2; EN 61000-4-5 —1000V;				
Note	1.All parameters NOT specially mentioned are measured at 240VAC input , full load and 25°C of ambient temperature. 2.Ripple & Noise are measured at 20MHz of bandwidth by using a 300mm twisted pair-wire terminated with a 0.1uF & 47 uF parallel capacitor. 3.Output current can be from 120mA to 700mA. Please see Model list below and contact EAGLERISE for details.					

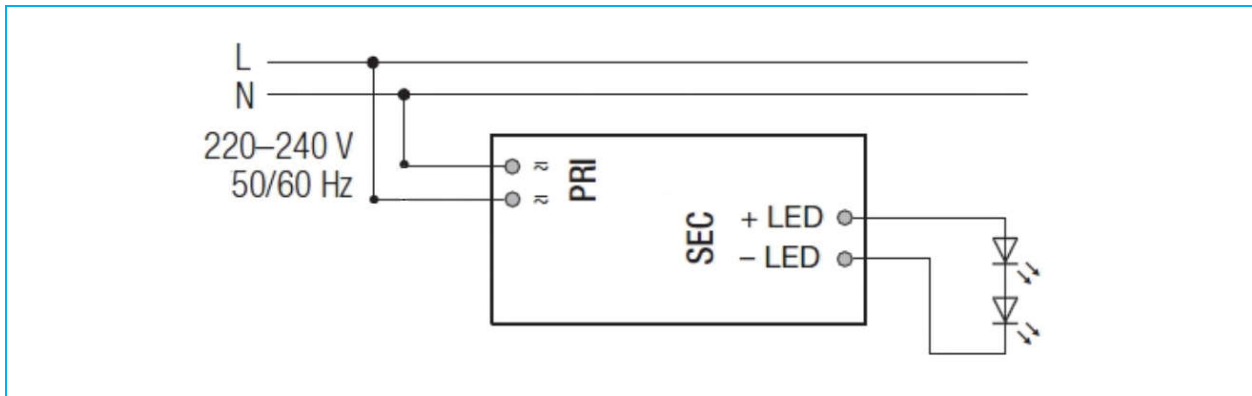
## 8W Constant Current -LS Series

LS-8-XXX MI

### Model list

Model number	Input			Output			P(W)
	Voltage (VAC)	Current (A)	Frequency (Hz)	Constant current (mA)	Normal working voltage (VDC)	No load working voltage (VDC)	
LS-8-120 MI	220-240	0.06	50/60	120	24-42	55	5
LS-8-150 MI	220-240	0.08	50/60	150	24-42	55	6.3
LS-8-180 MI	220-240	0.1	50/60	180	24-42	55	7.6
LS-8-200 MI	220-240	0.1	50/60	200	24-42	55	8.4
LS-8-250 MI	220-240	0.08	50/60	250	16-26	35	6.5
LS-8-300 MI	220-240	0.1	50/60	300	16-26	35	7.8
LS-8-350 MI	220-240	0.1	50/60	350	14-24	35	8.4
LS-8-400 MI	220-240	0.1	50/60	400	13-20	30	8
LS-8-450 MI	220-240	0.1	50/60	450	12-18	28	8.1
LS-8-500 MI	220-240	0.1	50/60	500	10-16	25	8
LS-8-700 MI	220-240	0.1	50/60	700	7-12	20	8.4

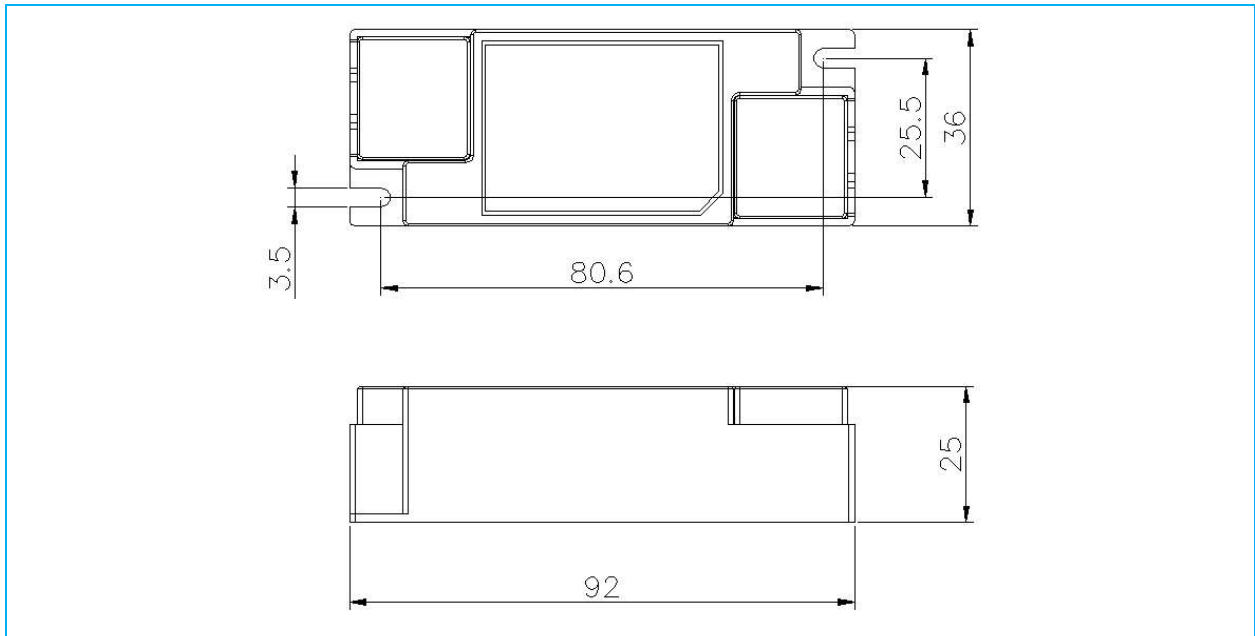
### Wiring diagram



## 8W Constant Current -LS Series

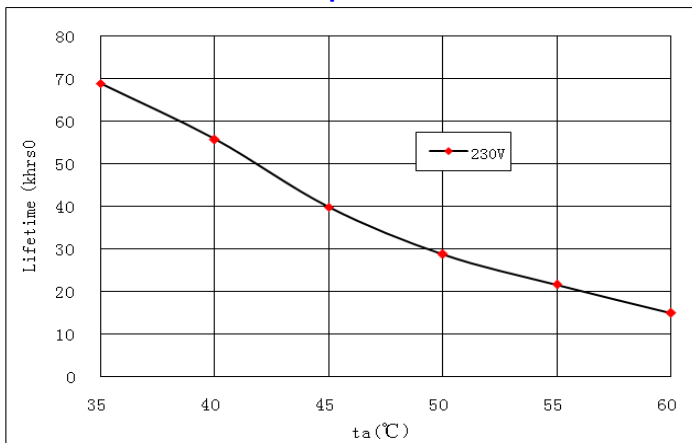
LS-8-XXX MI

### 2D diagram

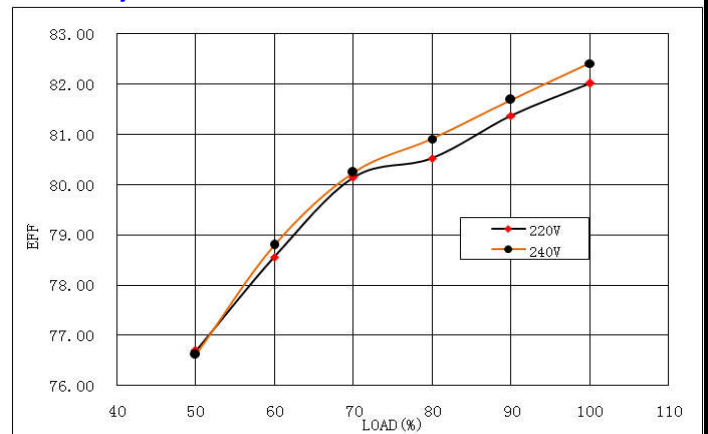


### Curve for LS-8-700 MI

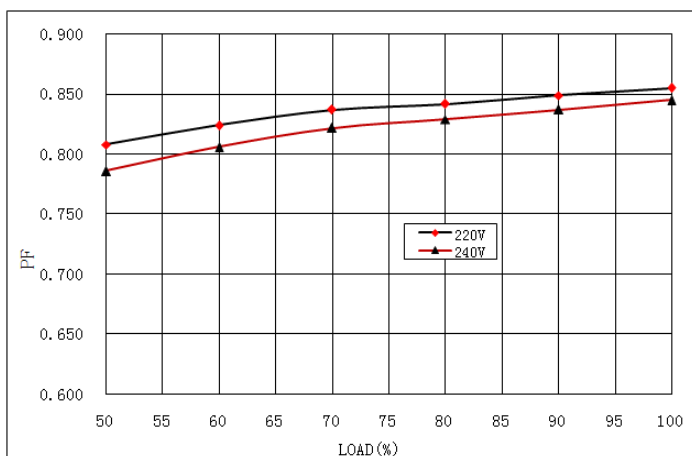
#### Lifetime vs. Ambient Temperature Curve



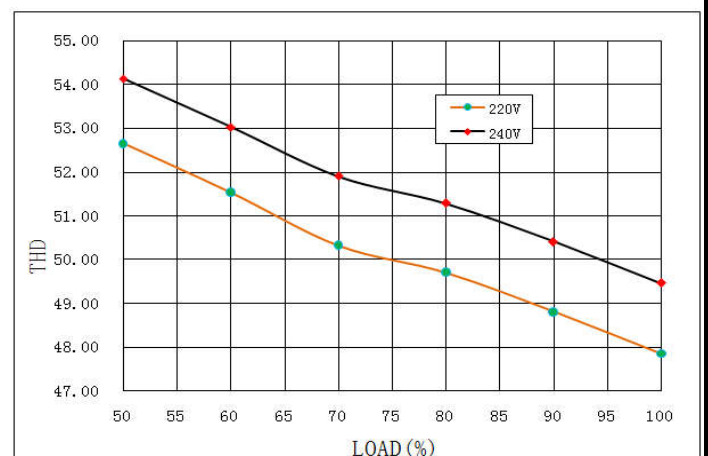
#### Efficiency vs. Load



#### Power Factor Characteristics



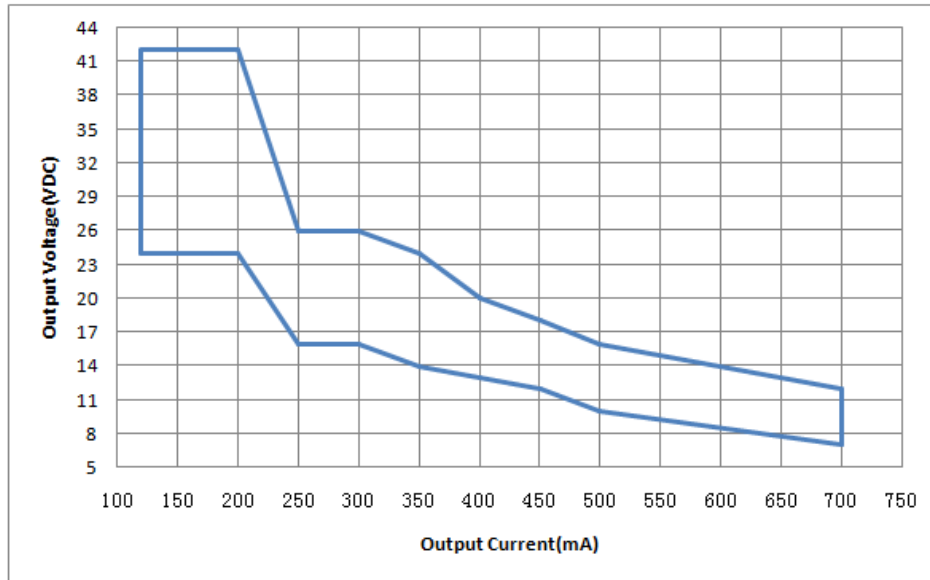
#### THD vs. Load



## 8W Constant Current -LS Series

LS-8-XXX MI

### ■ Operating window



— Operating window 100%